

# BROMPTON METAL BED ASSEMBLY INSTRUCTIONS

Thank you for purchasing BROMPTON METAL BED. Please read the instructions carefully to ensure safe operation of the product.



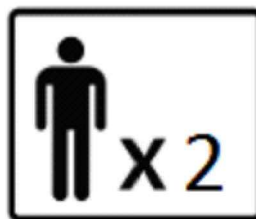
Size: 4'6" 2030x1475x940/1120  
5' 2130x1605x940/1120  
Colour: PEWTER

**PLEASE READ** this sheet prior to assembly to familiarise yourself with the various stages of construction.

Carefully open the pack supplied and check the contents against the parts and fittings check list. Do not destroy any of the packaging until you are certain that you have all the necessary parts for the assembly.

**CAUTION:** There are small components used in the construction of this unit. These loose items should be kept away from young children whilst assembling your unit to avoid the danger of choking hazards.

## Tools Required



**45MIN**  
Set Up

# BROMPTON METAL BED ASSEMBLY INSTRUCTIONS

IMPORTANT—READ CAREFULLY—RETAIN THESE INSTRUCTION FOR FUTURE REFERENCE.

## INFORMATION

- This product is intended for a maximum person's weight of 130kg per side. Do not exceed this weight.
- Incorrect installation could lead to injury, take care following instructions.
- Due to the size of this product we recommend that it is assembled in the room intended for use.
- When you are ready to start ,make sure that you have the right tools, plenty of space and a clean, dry area for assembly.
- Unwrap all packaging materials and place the components on top of the carton box or on a clean floor to prevent it from scratching.
- Check the pack and make sure you have all the parts listed.
- Ensure that this product is fully assembled and secured as illustrated before use.
- Check all screws or bolts are tightened and inspect regularly.
- This product should only be used on firm, level ground.
- Dismantle for transportation.
- Only use recommended accessories.
- Tools are included.

## WARNINGS

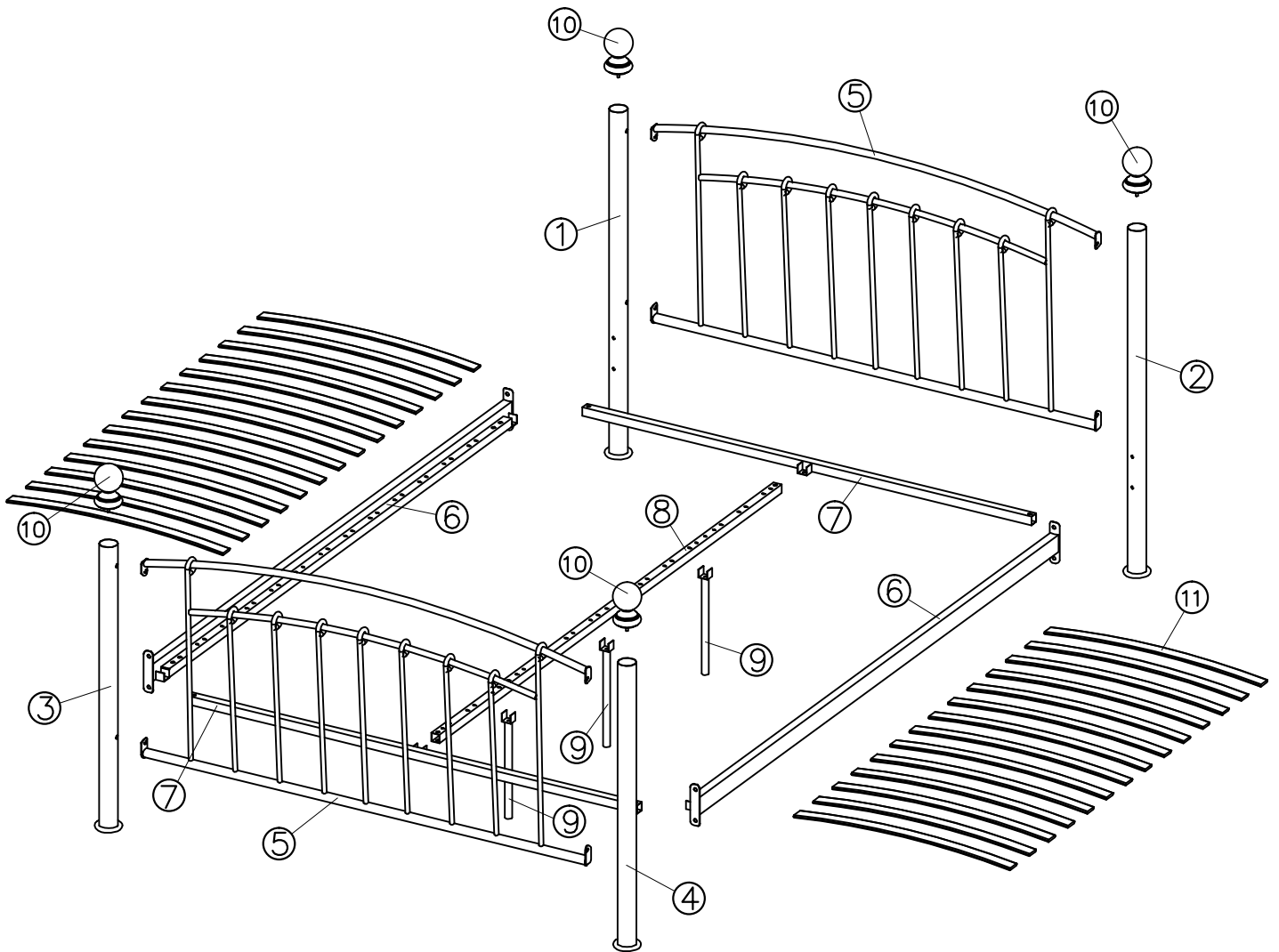
- Do make sure the legs remain in contact with the ground.
- Do keep small parts out of reach of children.
- DO NOT use power tools to construct this product.
- DO NOT tighten screws until fully assembled.
- DO NOT over tighten screws or bolts.
- DO NOT use this product if parts are missing, damaged or worn.
- DO NOT stand on the product.

## CARE INFORMATION





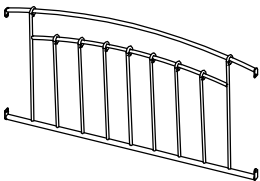
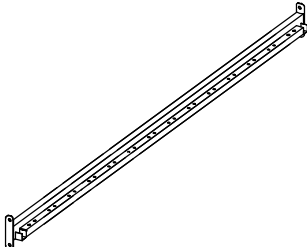
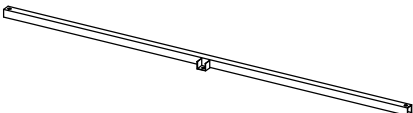
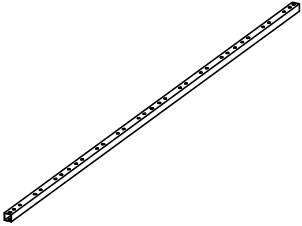



- Never use scourers, abrasives or chemical cleaners.
- To clean wipe with a sponge and warm soapy water. Do not use solvent based cleaners or detergents as they can bleach or damage the product.

# BROMPTON METAL BED ASSEMBLY INSTRUCTIONS

Please check the pack contents before assembling the product. If any components are missing, please contact your retailer. The fittings pack contains small items that should be kept away from small children.



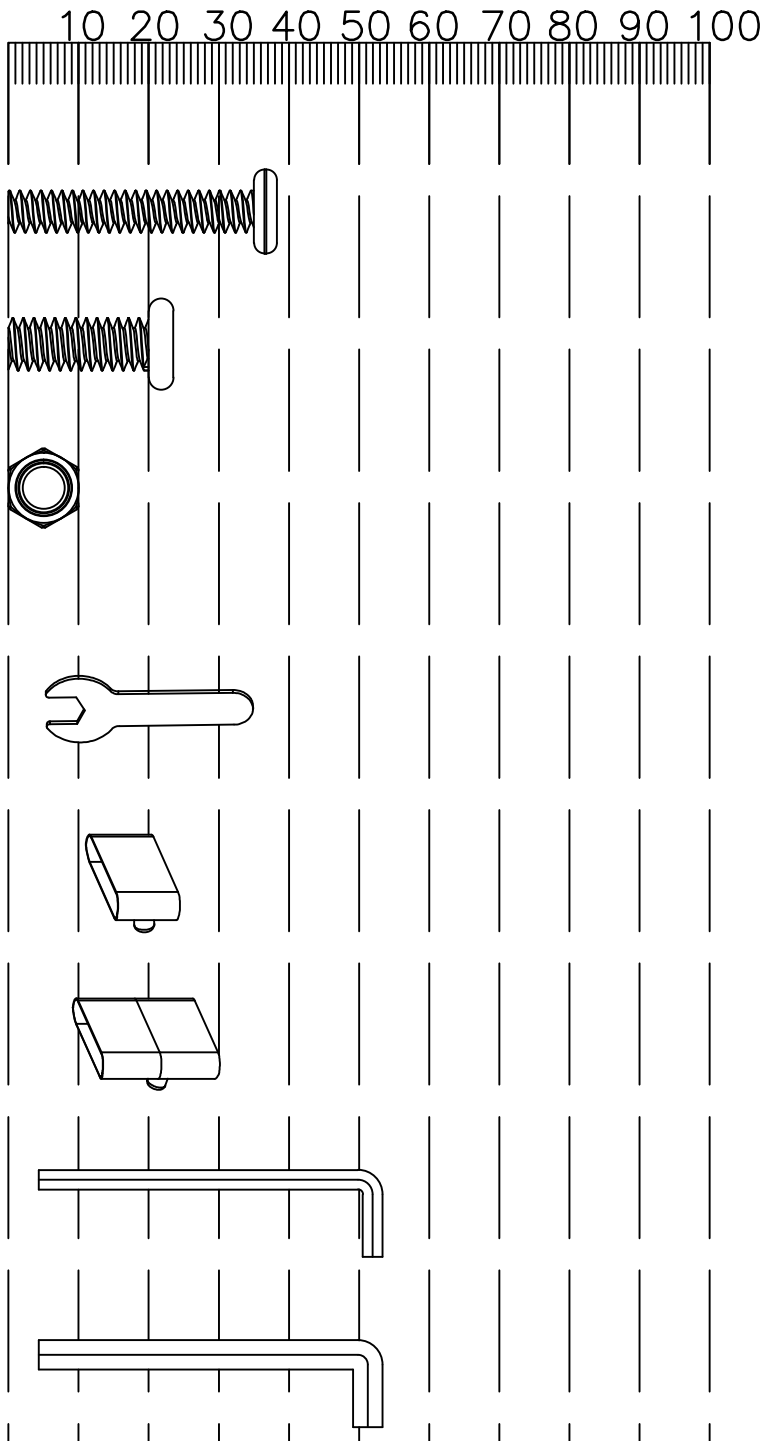
# BROMPTON METAL BED ASSEMBLY INSTRUCTIONS

<p>1</p> 	<p>2</p> 	<p>3</p> 
<p>LEFT HEADBOARD POST 1 PC Carton No: 2/2</p>	<p>RIGHT HEADBOARD POST 1 PC Carton No: 2/2</p>	<p>LEFT FOOTBOARD POST 1 PC Carton No: 2/2</p>
<p>4</p> 	<p>5</p> 	<p>6</p> 
<p>RIGHT FOOTBOARD POST 1 PC Carton No: 2/2</p>	<p>HEADBOARD/FOOTBOARD 2 PC Carton No: 1/2</p>	<p>SIDERAIL 2 PC Carton No: 2/2</p>
<p>7</p> 	<p>8</p> 	<p>9</p> 
<p>CROSS RAIL 2 PC Carton No: 1/2</p>	<p>CENTRE SUPPORT RAIL 1 PC Carton No: 2/2</p>	<p>CENTRE SUPPORT LEG 3 PC Carton No: 1/2</p>
<p>10</p> 	<p>11</p> 	
<p>FINIAL 4 PC Carton No: 1/2</p>	<p>BENT SLATS 28 PC Carton No: 1/2</p>	

# BROMPTON METAL BED ASSEMBLY INSTRUCTIONS

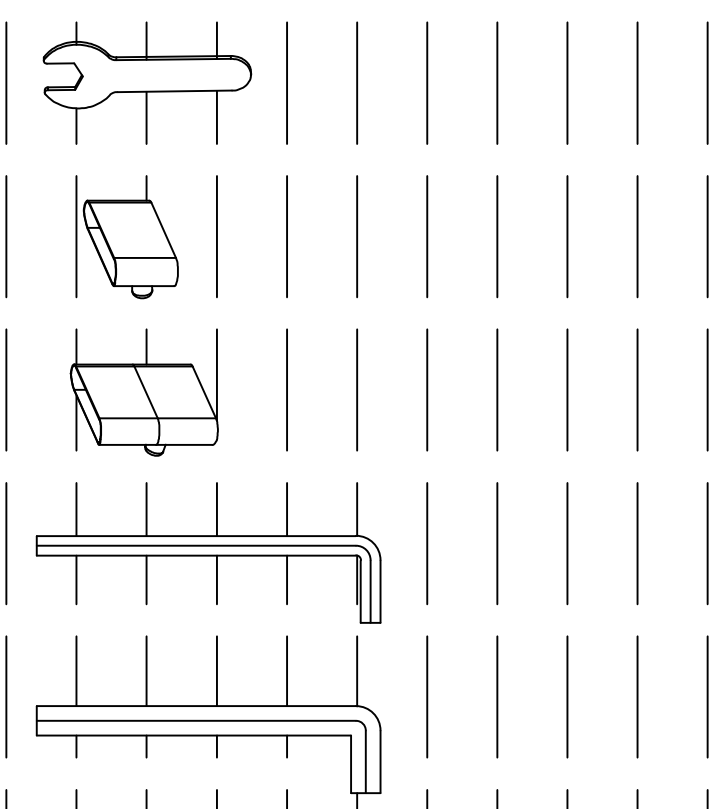
Fixings(to scale)

Ref	Dimensions	Qty
A	Bolt-M6X35	9
B	Bolt-M8X20	16
C	Nut-M6X6	6



(Not to scale)

D	Spanner	1
E	Single Plastic Cap	28
F	Double Plastic Cap	14
G	Allen Key M6	1
H	Allen Key M8	1



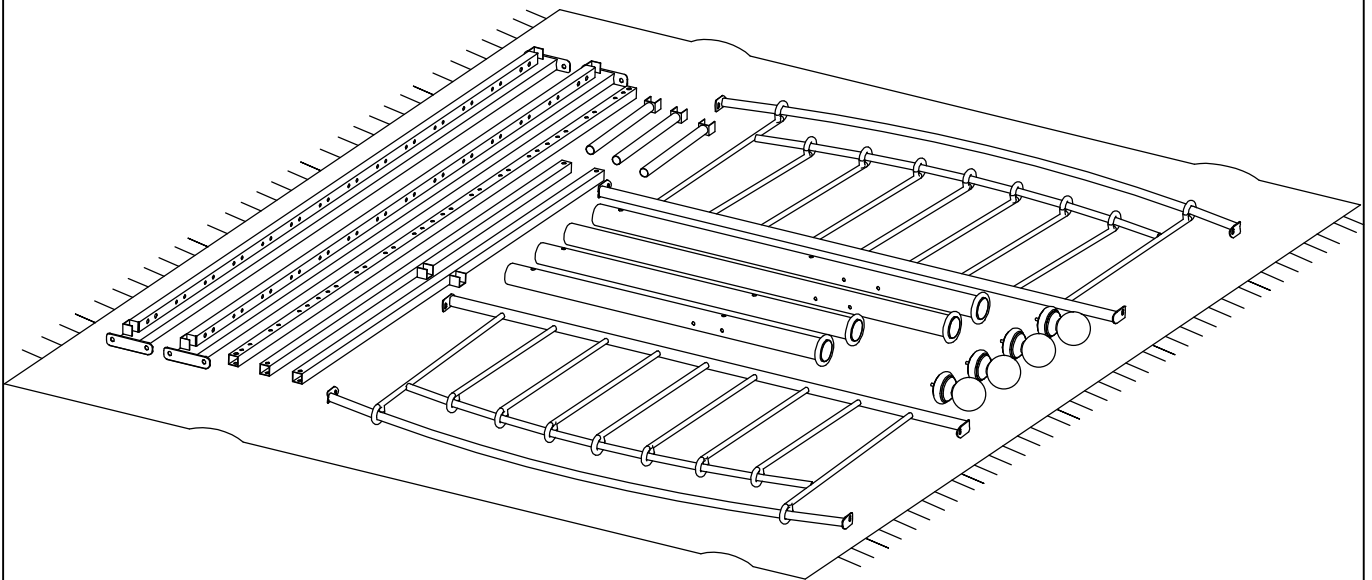
**CAUTION:** There are many small components used in the construction of this product. Please keep these components away from young children whilst assembling this product.

If you keep the fittings in a bowl during assembly you will be less likely to lose them!

# BROMPTON METAL BED ASSEMBLY INSTRUCTIONS

## Layout Parts on Soft Surface

Lay out all 4 sides on a soft surface i.e.Rug, Carpet or Packaging Carton.



# BROMPTON METAL BED ASSEMBLY INSTRUCTIONS

STEP 1	Parts Required
<p>The diagram illustrates the assembly of the headboard and footboard posts. A circular inset shows a close-up of a post (1) being secured with a bolt (B) and a bracket (5) to a curved rail (H). The main diagram shows two views of the bed frame with labels 1, 2, 3, 4, 5, and B indicating the various components and their assembly points.</p>	Allen Key M8 X1
	Bolt-M8X20 X8
	Left Headboard Post X1
	Right Headboard Post X1
	Left Footboard Post X1
	Right Footboard Post X1
	Headboard/Footboardx2

# BROMPTON METAL BED ASSEMBLY INSTRUCTIONS

## STEP 2

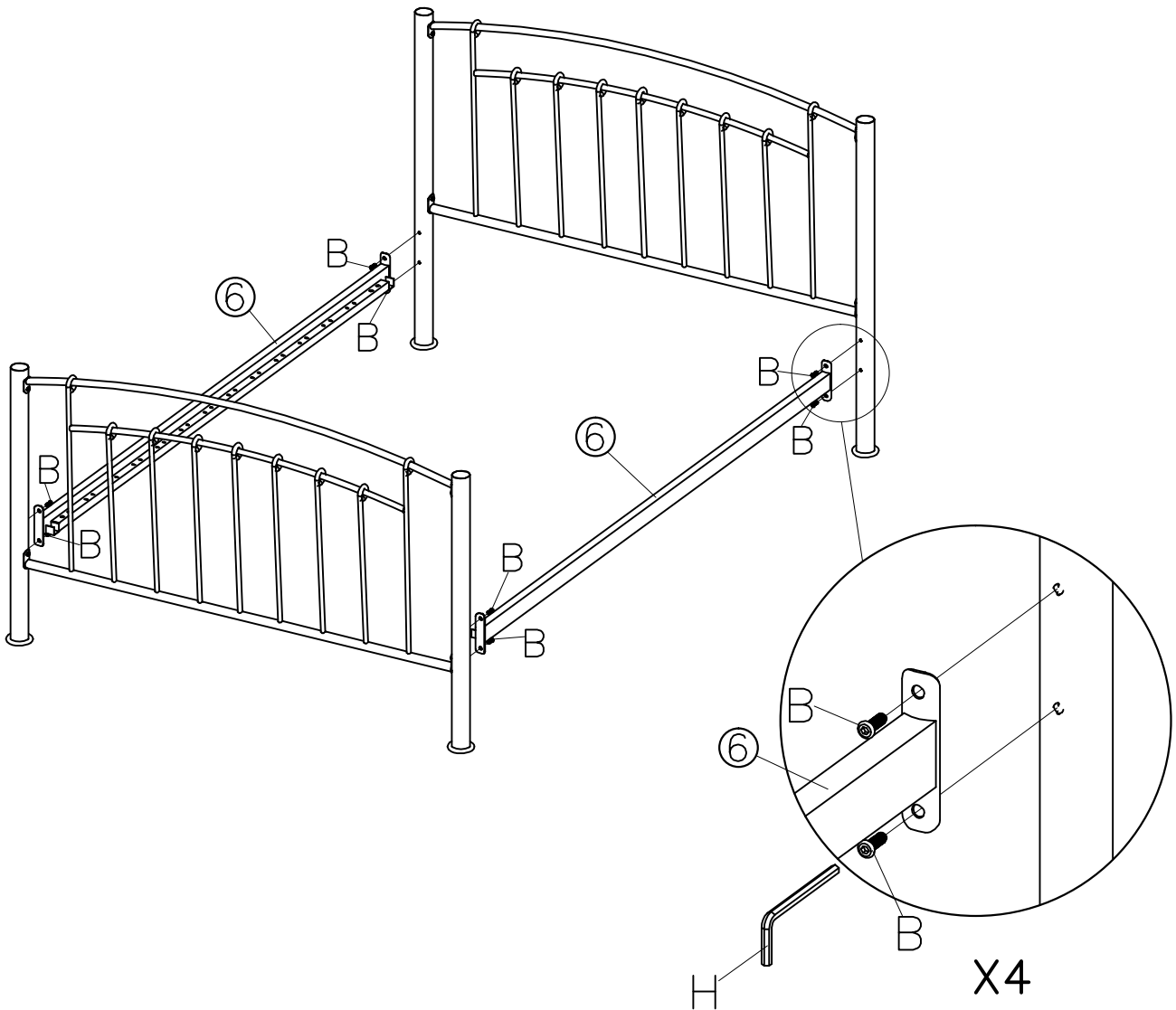
Please do not tighten bolts at this stage.

### Parts Required

Allen Key M8 X1

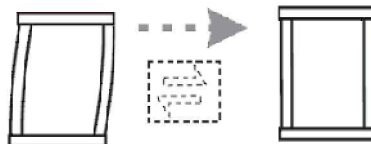
Bolt-M8X20 X8

Siderail X2



MAKE CERTAIN THE BED IS SQUARE AS SHOWN.

Note: THEN tighten all bolts 100% using allen key.





# BROMPTON METAL BED ASSEMBLY INSTRUCTIONS

## STEP 3

### Parts Required

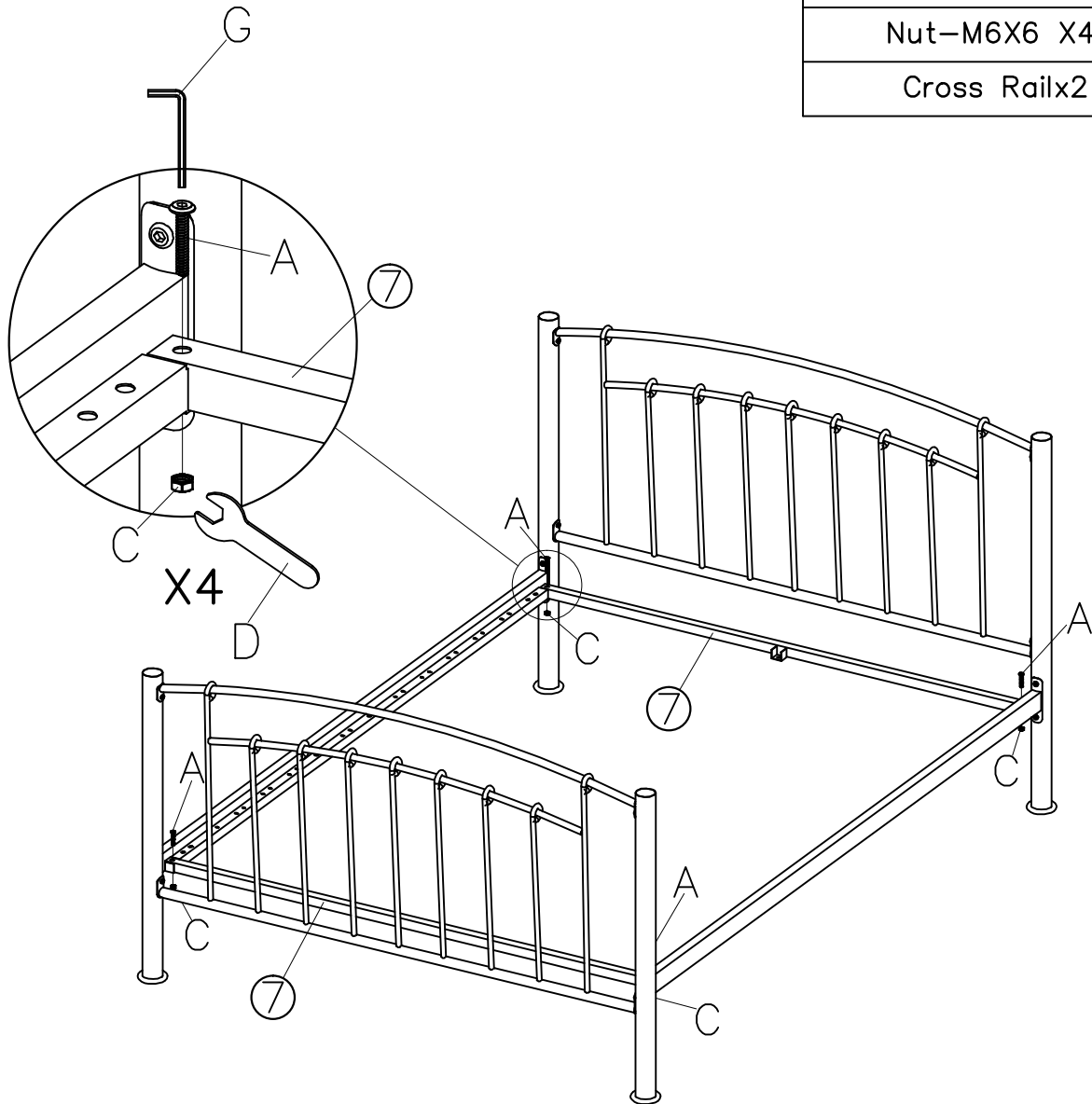
Spanner X1

Allen Key M6 X1

Bolt-M6X35 X4

Nut-M6X6 X4

Cross Railx2



# BROMPTON METAL BED ASSEMBLY INSTRUCTIONS

## STEP 4

## Parts Required

Spanner X1

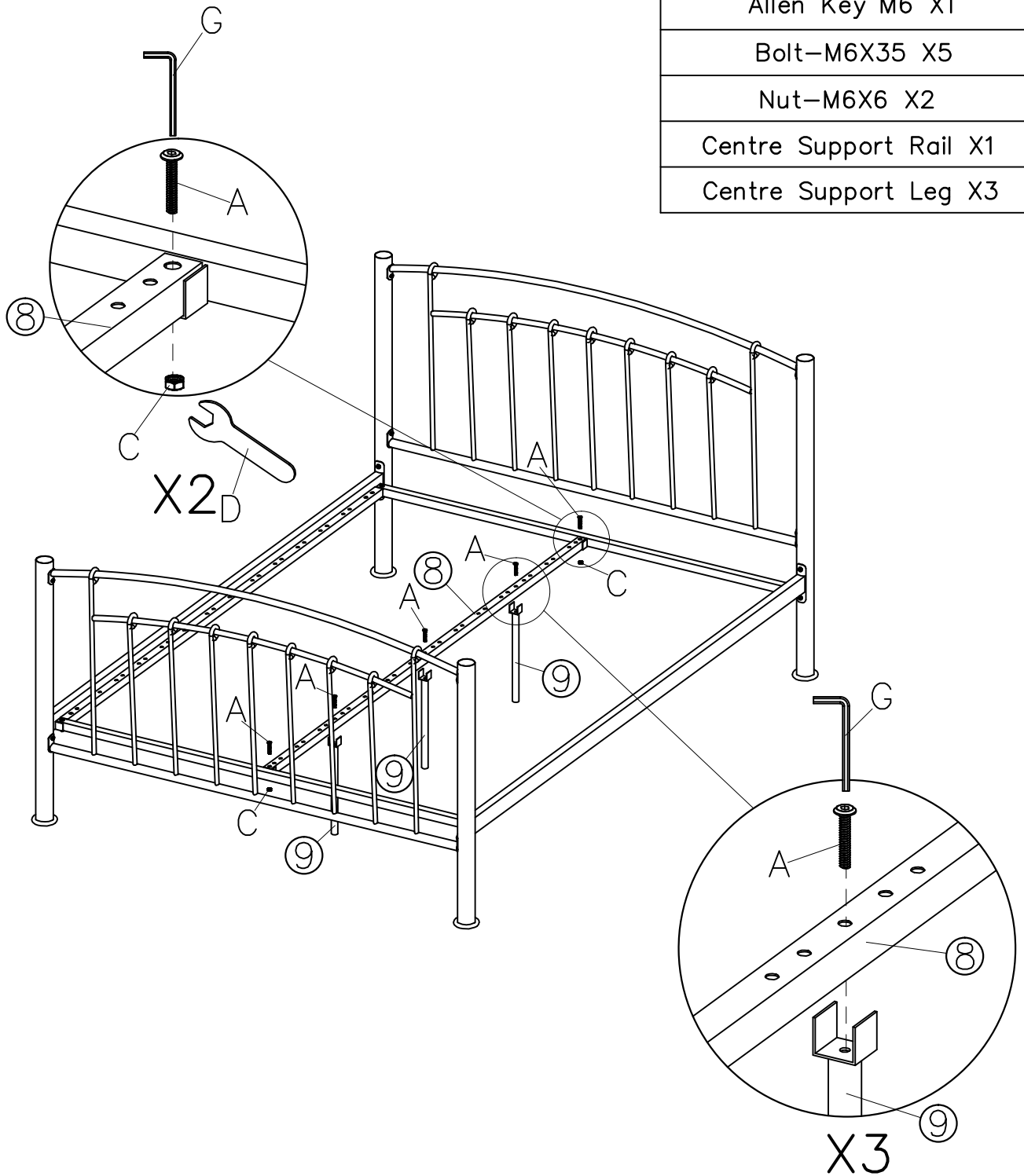
Allen Key M6 X1

Bolt-M6X35 X5

Nut-M6X6 X2

Centre Support Rail X1

Centre Support Leg X3



# BROMPTON METAL BED ASSEMBLY INSTRUCTIONS

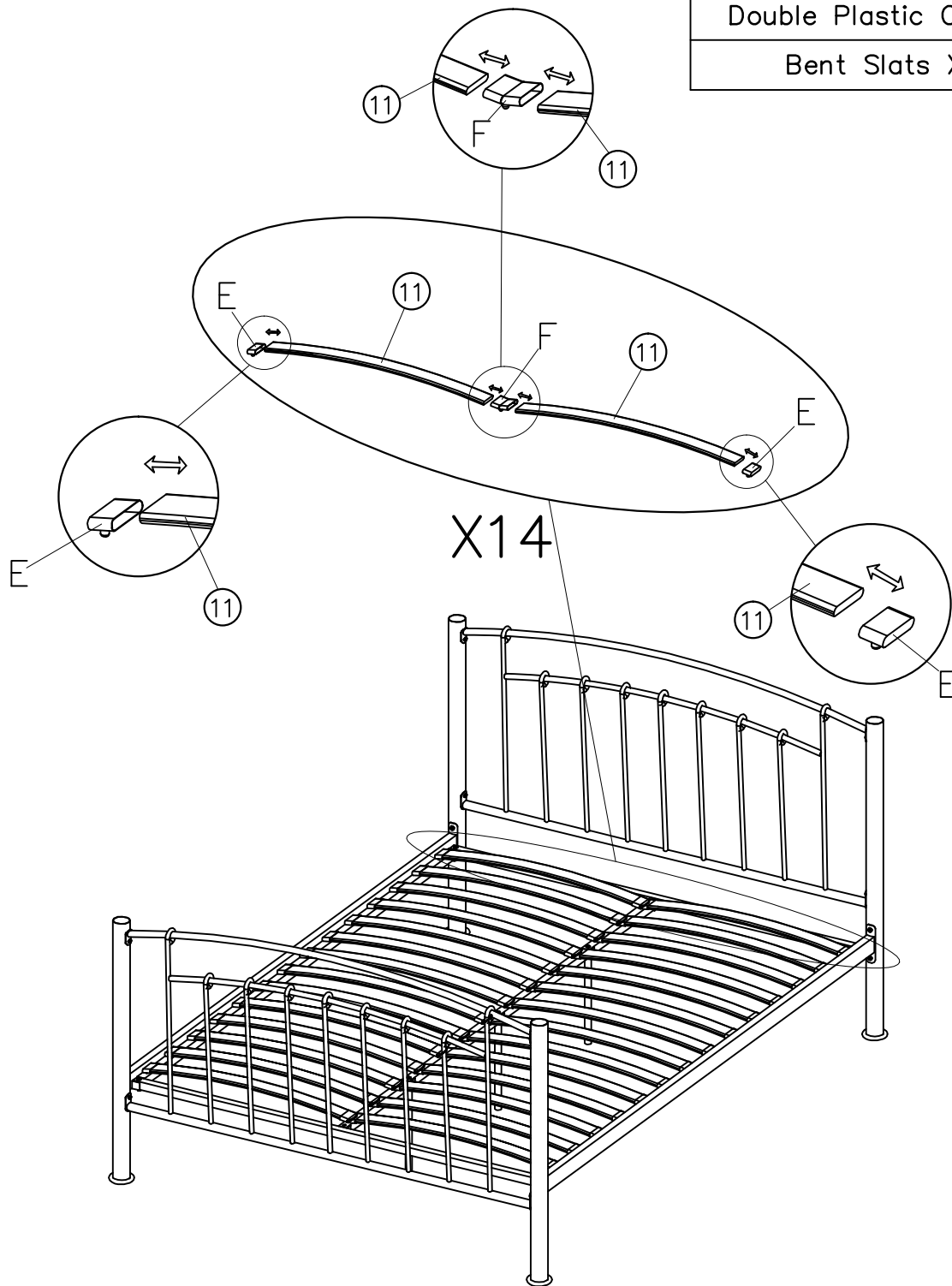
STEP 5

Parts Required

Single Plastic Cap X28

Double Plastic Cap X14

Bent Slats X28

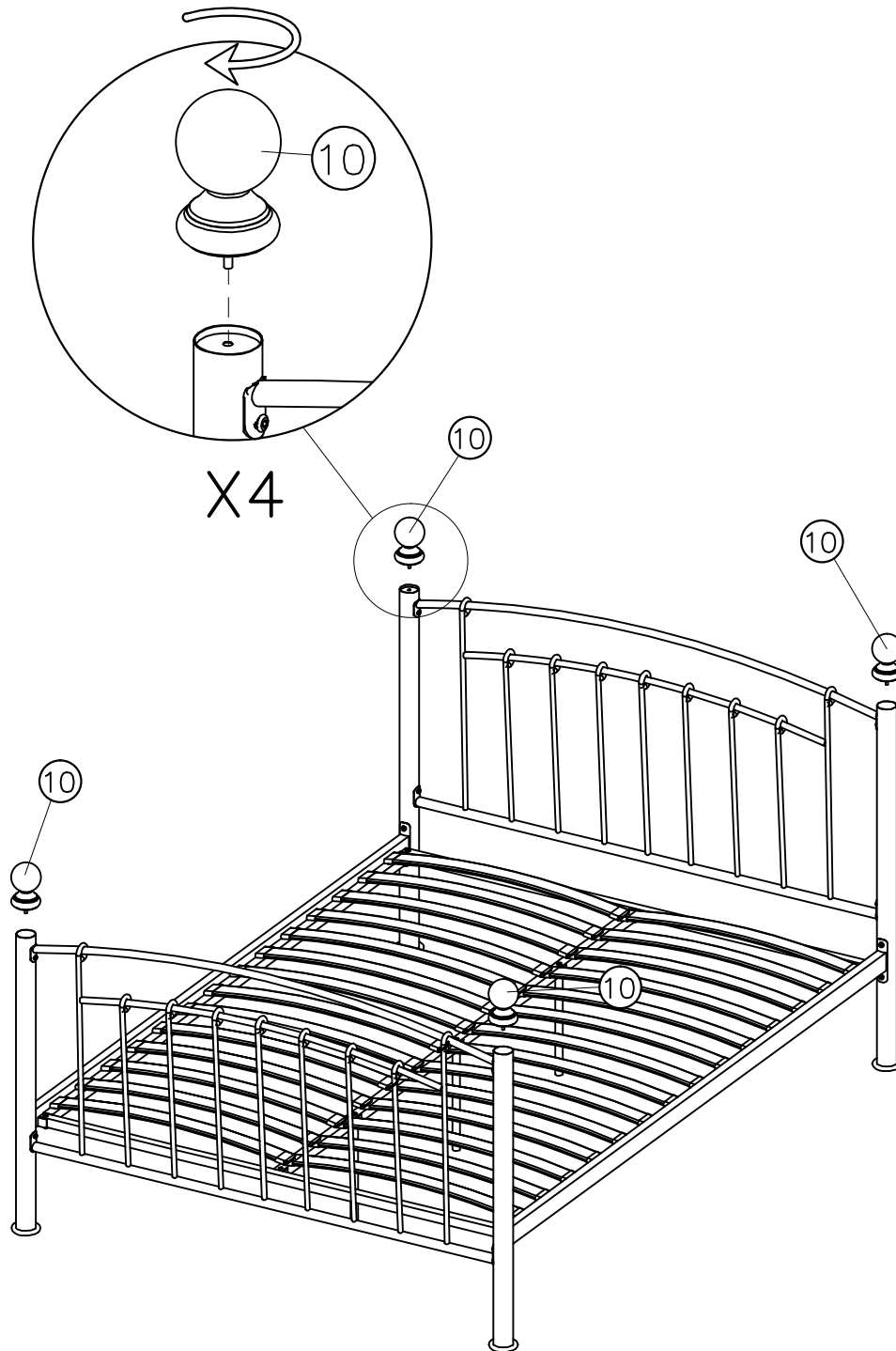


# BROMPTON METAL BED ASSEMBLY INSTRUCTIONS

STEP 6

Parts Required

Finial X4



# BROMPTON METAL BED ASSEMBLY INSTRUCTIONS

## Complete Assembly

Your bed frame is now completely assembled.

Periodically check to ensure that the components are in their proper position, free from damage. Also, make sure the connectors are tight and secure.



Keep instructions for future reference

