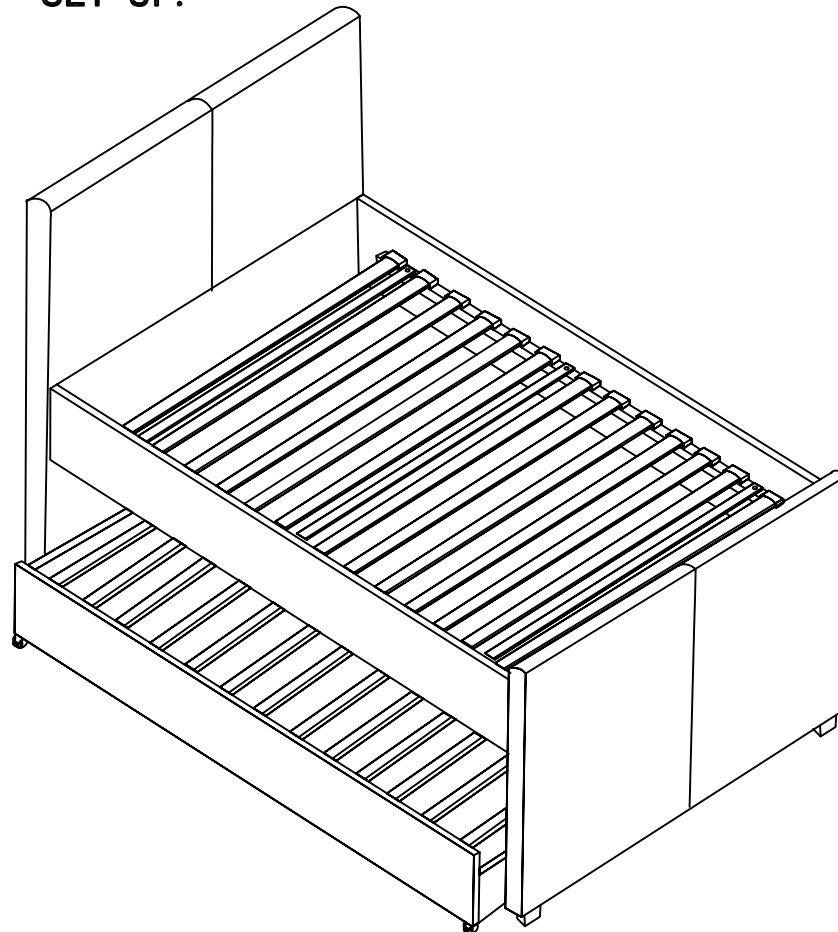


ASSEMBLY INSTRUCTION

Important

Please inspect all items carefully before assembling. If for any reason you need to return this item, you must return it in its original packaging. Assembled items cannot be returned

**IMPORTANT NOTE: *PLACE ALL PARTS ON A CLEAN AND SMOOTH SURFACE SUCH AS ARUG OR CARPET TO AVOID THE PARTS FROM BEING SCRATCHED.
*KINDLY FOLLOW THE ASSEMBLY INSTRUCTIONS STEP BY STEP.
*DO NOT TIGHTEN ALL SCREWS UNTIL THE BED IS FULLY SET-UP.**



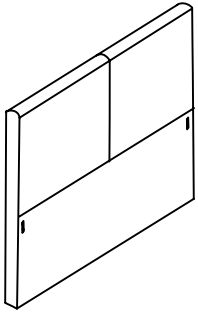
3FT CARRA SINGLE GUEST BED

CARE INSTRUCTIONS

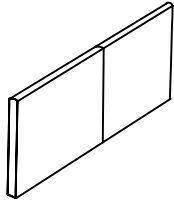
- * Wipe clean using a soft damp cloth followed by a dry cloth.**
- * Do not use abrasives or cleaning products which may contain ammonia or solvents.**
- * Take care when handing or moving the furniture. Careless handling can damage wooden furniture, try to lift rather than drag.**

Part list

① Headboard 1pc



② Footboard 1pc



③ Side Rail 2pcs



④F Trundle Front Side Rail 1pc

④B Trundle Back Side Rail 1pc



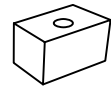
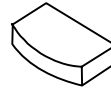
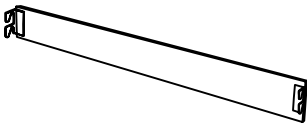
⑤H Trundle Headboard 1pc

⑥ Slat 25pcs

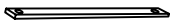
⑦ Single Plastic Cap 50pcs

⑧ Leg 4pcs

⑤F Trundle Footboard 1pc



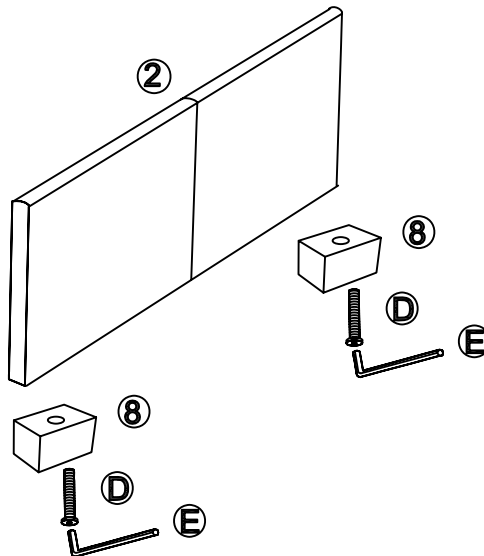
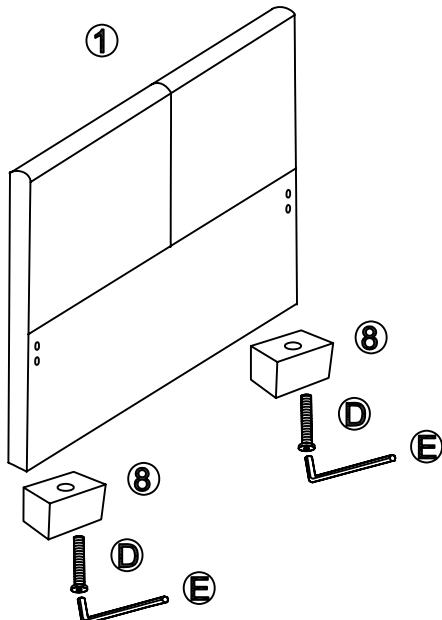
⑨ Cross Bar 4pcs



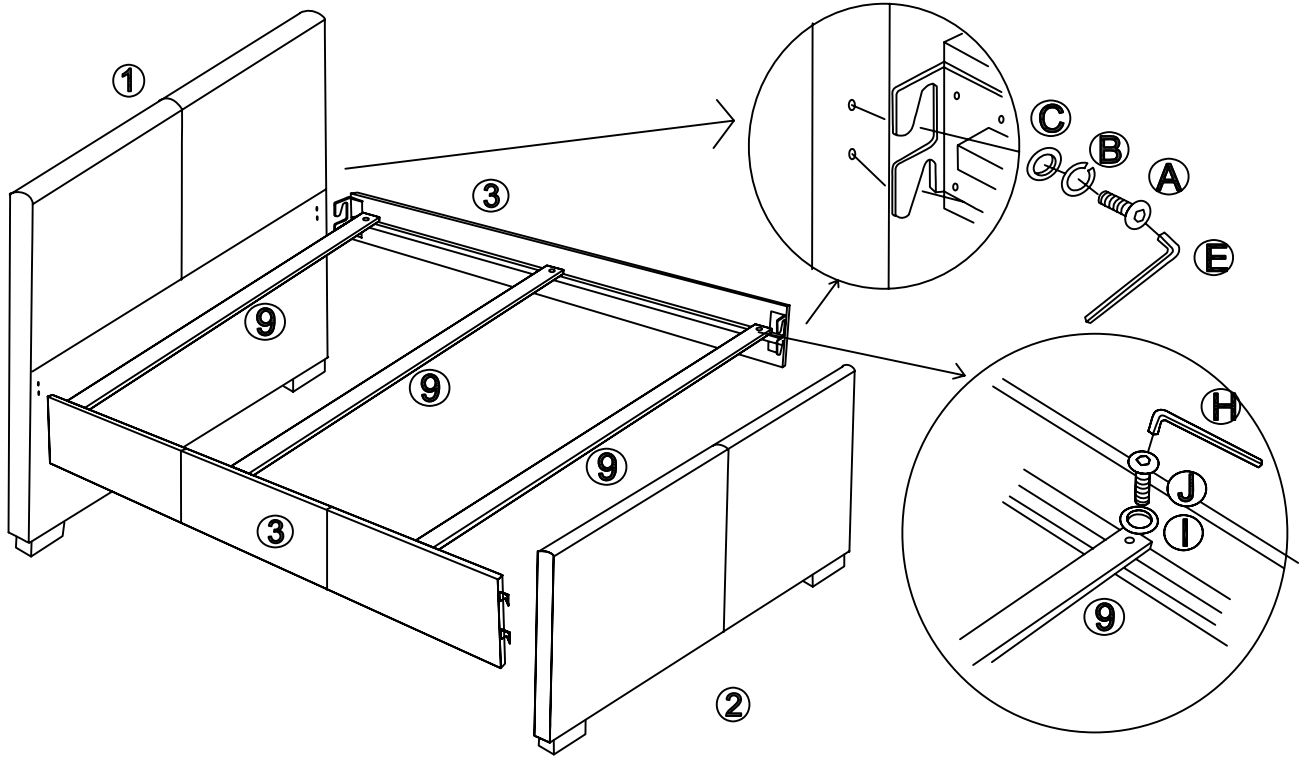
Hardware list

Label	Picture	Description	Qty	Label	Picture	Description	Qty
A		Bolt M8*30	16	F		Pivot Wheels	2
B		Spring Washer	16	G		Non-Pivot Wheels	2
C		Flat Washer M8	16	H		Allen key M4	1
D		Bolt M8*50	4	I		Flat Washer M6	8
E		Allen key M6	1	J		Bolt M6*20	8

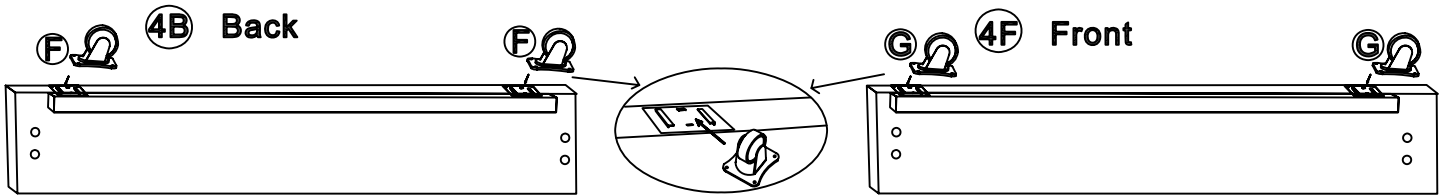
STEP 1 FIXING LEGS TO HEADBOARD AND FOOTBOARD.



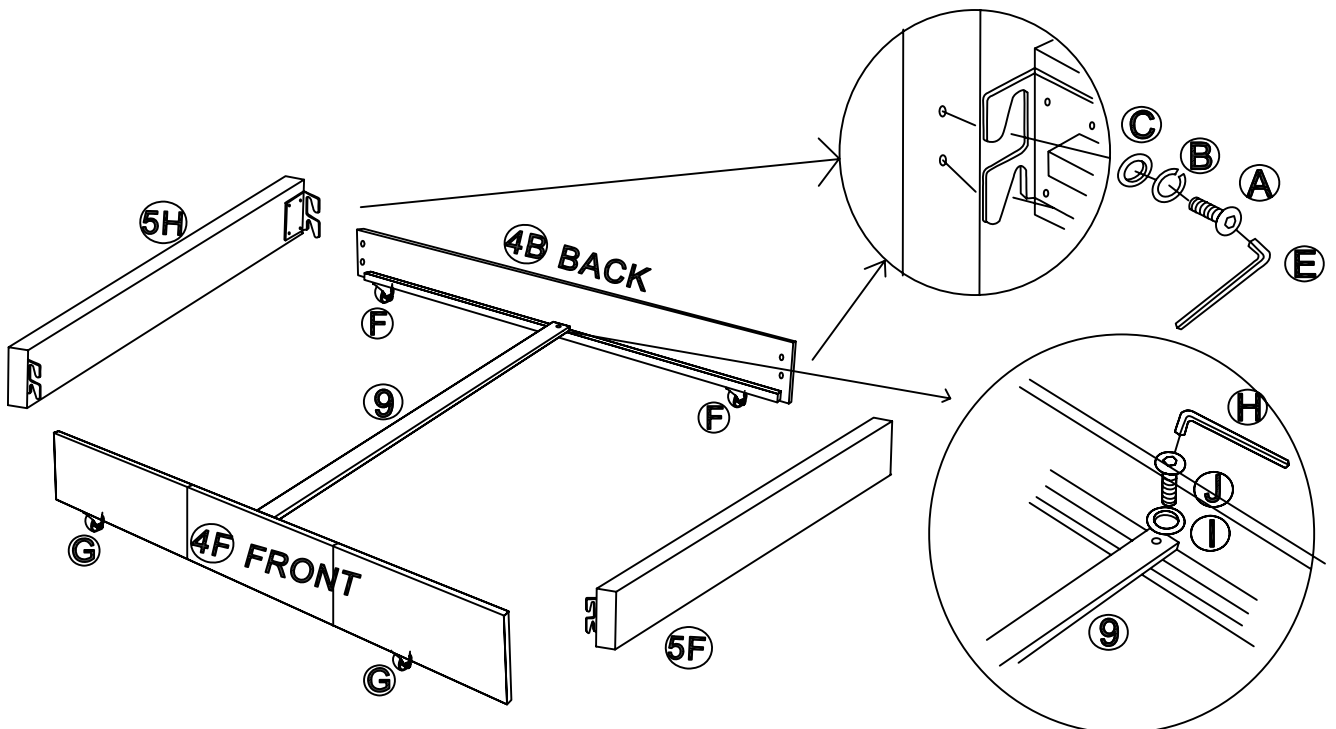
STEP 2 FIXING SIDE RAILS TO HEADBOARD AND FOOTBOARD.



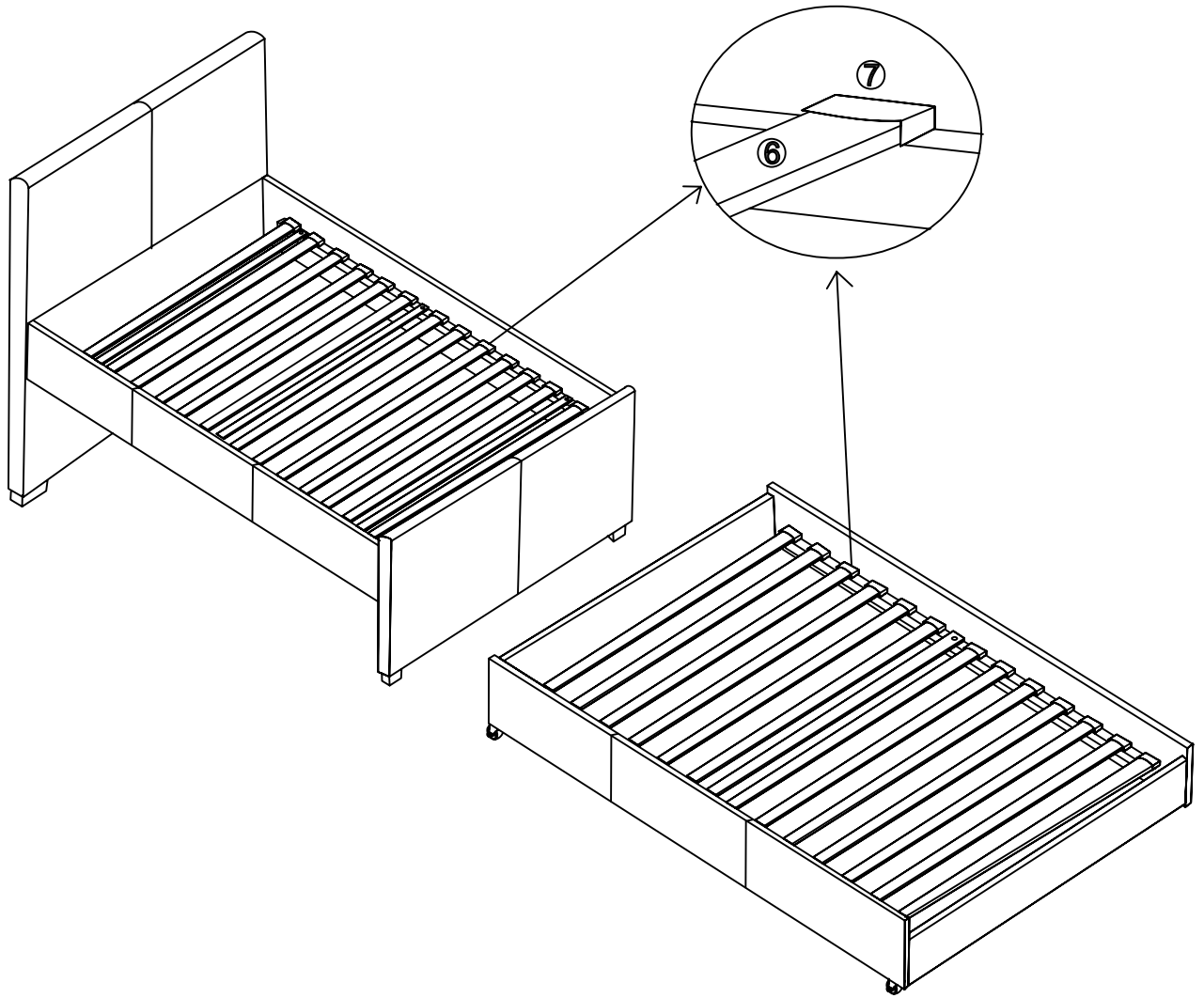
STEP 3 FIXING PIVOT WHEELS AND NO-PIVOT WHEELS TO TRUNDLE SIDE RAILS.



STEP 4 FIXING TRUNDLE HEADBOARD AND TRUNDLE FOOTBOARD TO TRUNDLE SIDE RAILS.



STEP 5 FIXING PLASTICS CAPS AND SLATS TO SIDE RAILS AND TRUNDLE SIDE RAILS.



STEP 6 PULL TRUNDLE BED TO GUEST BED.

