

Birlea

Suppliers of inspiration

Assembly Instructions

Thank you for
purchasing a
Birlea product.

For a chance to win a *Love 2 Shop* voucher simply post a picture of your new product on your preferred social channels tagging Birlea Furniture and using the hashtag **#ShareYourStyle** and **#Birlea**. One winner will be selected at random each month.

To view our full terms and conditions please visit our website. www.birlea.com

Are you happy with your purchase?

Yes: That's great, we would love to hear more from you. Please leave us a review on our social media channels or Trustpilot. Your feedback will be greatly appreciated.

No: If for any reason there is something missing, indifferent or incorrect with your order, please contact the retailer you purchased the item from. We will work with the retailer to resolve your issue as quickly as possible.



www.birlea.com

ASSEMBLY INSTRUCTIONS
STOCKWELL 4 DRAWER CHEST RUSTIC
OAK EFFECT

IMPORTANT : READ THESE INSTRUCTIONS CAREFULLY BEFORE ATTEMPTING TO ASSEMBLE OR USE YOUR STOCKWELL 4 DRAWER CHEST RUSTIC.

PLEASE KEEP THESE INSTRUCTIONS FOR FUTURE REFERENCE.

ASSEMBLY:

Assembly should be carried out with this item laying flat, not standing upright.

Assemble on a soft, clean surface to prevent damages.

To erase the numbers printed on the pieces, use the rubber inside the accessories pack.

HEALTH & SAFETY:

DO NOT use this product if any parts are missing, damaged or worn.

DO NOT use this product unless all fixings are secured.

Always use on a level, even surface.

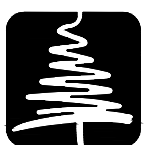
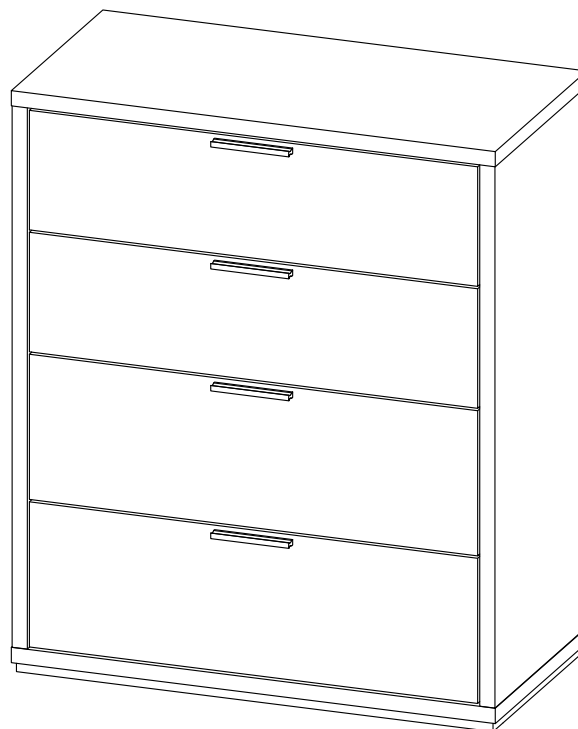
CARE & MAINTENANCE:

Periodically check all screws & fixings to ensure they are secure.

DO NOT push this product as this will cause damage.

Always lift this product with two people to reposition.

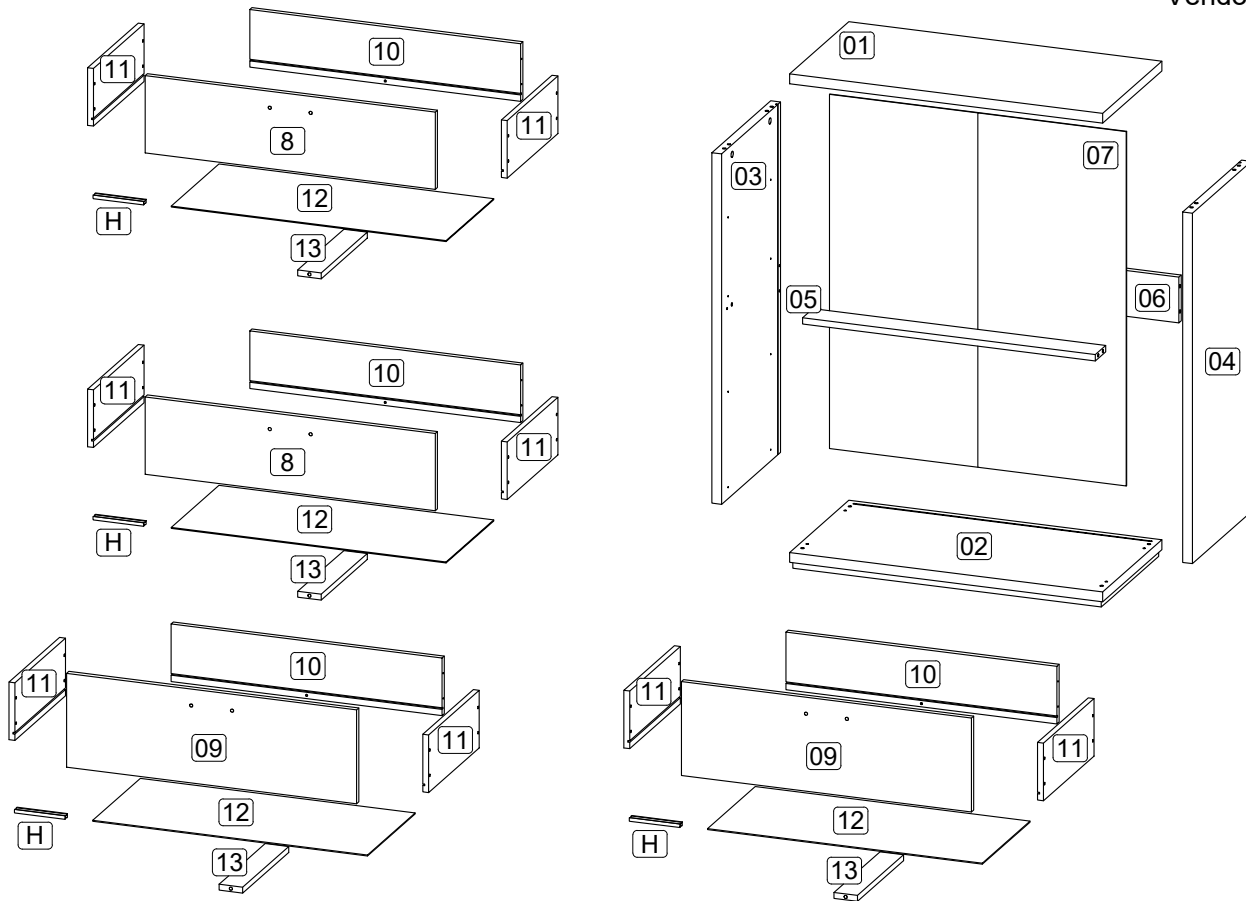
Keep any sharp objects away from this product.



Birlea

Suppliers of inspiration

www.birlea.com

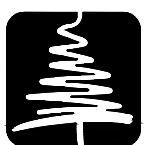


Parts List				Hardware List (BOX 1)			
Part	Description	Box	Qty	Part	Description		Qty
01	Top panel	2	1	A1	Cam lock		18
02	Bottom panel	2	1	A2	Minifix screw		18
03	Side panel (Left)	1	1	A3	Plastic cap		18
04	Side panel (Right)	1	1	B	M8 x 30mm Wood Dowel		10
05	Middle bone	2	1	C	M6 x 60mm CSK Cap Wood screw		4
06	Back bone	2	1	D	Allen key M4		1
07	Back panel	1	1	E	M3.5 x 16mm C.B Screw		50
08	Drawer front (Up)	2	2	F	M4 x 25mm C.B Screw		8
09	Drawer front (Down)	2	2	G	M4 x 38mm C.B Screw		32
10	Drawer back	1	3	H	PCV Handle 7050.96		4
		2	1	I1	Stud 192		8
11	Drawer side	1	8	I2	Stud 192 screw		8
12	Drawer bottom	1	4	J1	14" Drawer slide (Left / Right)		8
		1	2	J2	14" Drawer slide (Left / Right)		8
13	Drawer bone	2	2	K	8" x 1" PP tape		2
				L	Wall plug		-
				M	5/8 PCV Nail Leg		6

** You will need a small mallet and a screwdriver for assembly.

** Some screws and wooden dowel may remain.

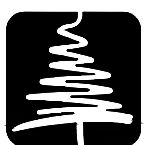
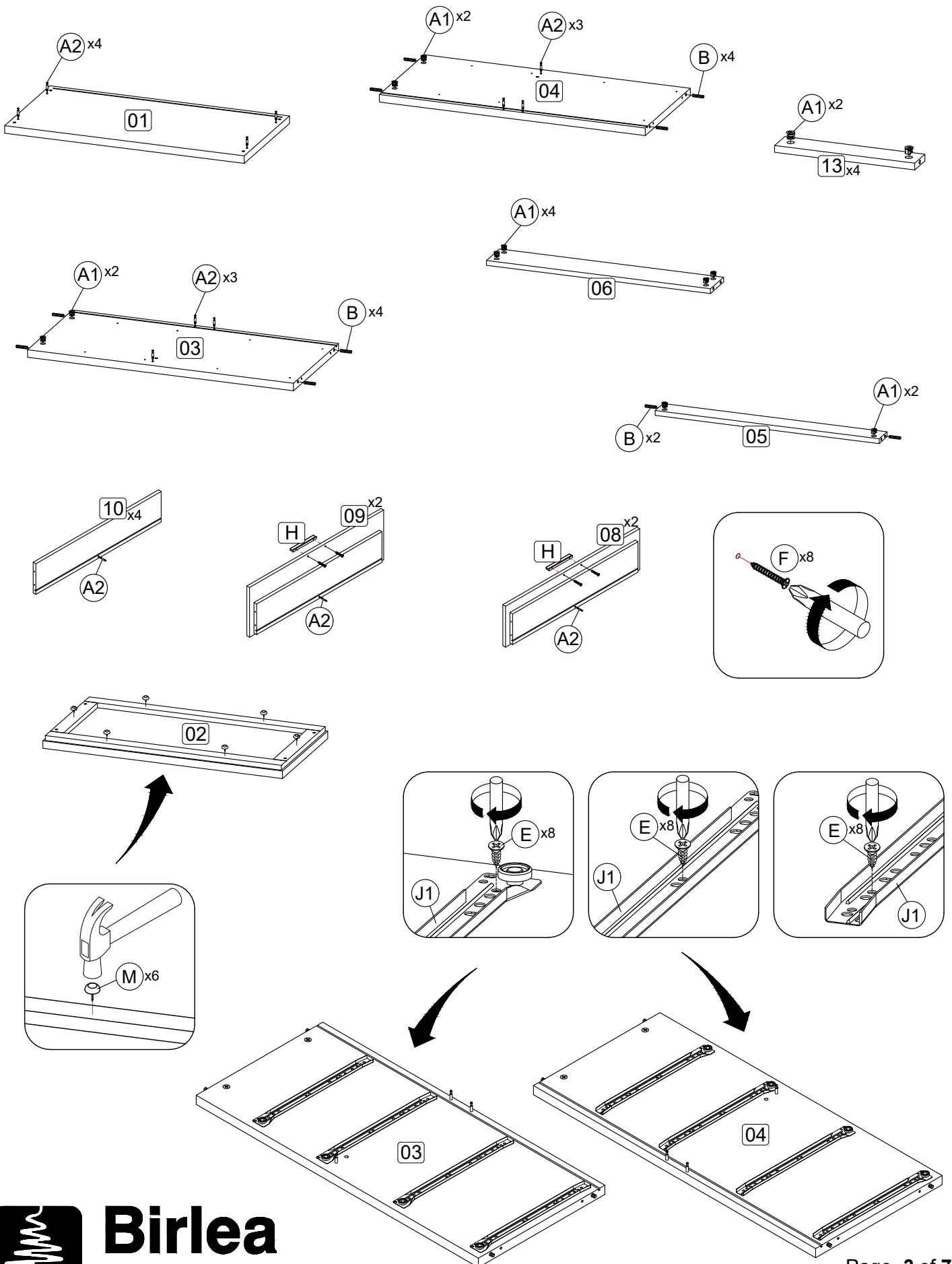
** Note : To secure the item to the wall, hardware G (2 pcs) and L (2 pcs) are not provided.



Birlea

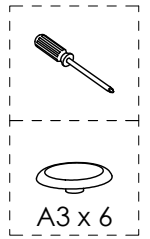
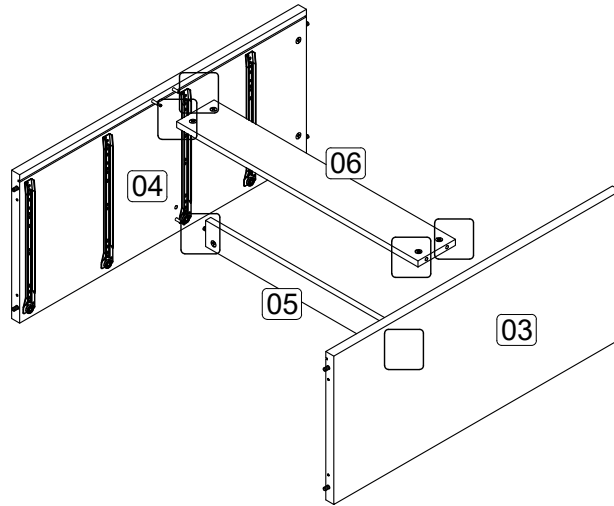
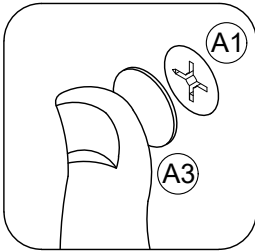
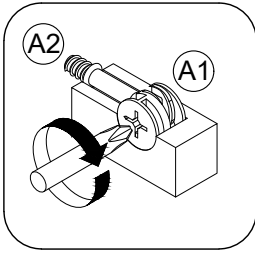
Suppliers of inspiration

Step 1: Prepare these parts for assembly using hardware parts A1, A2, B, D, E, F, H, J1 and M.
DO NOT use any power tools as this may damage the frame and will invalidate any claim.



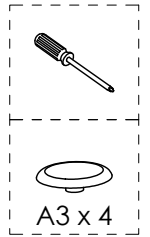
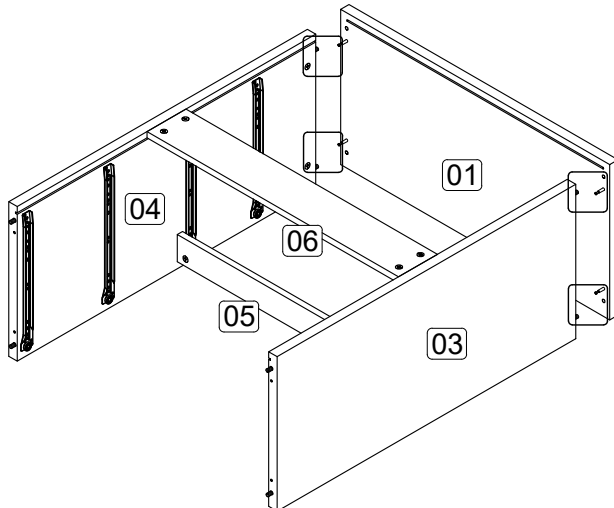
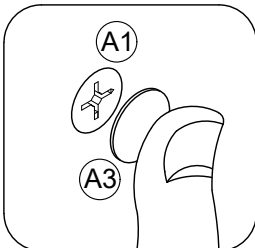
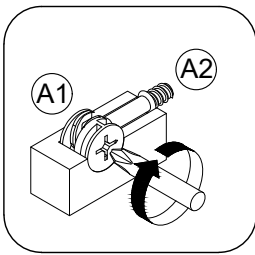
Step 2: Attach middle bone (5) and back bone (6) to side panel (3) and (4) using hardware A1 and A2 with a screwdriver (not provided).

DO NOT use any power tools as this may damage the frame and will invalidate any claim.



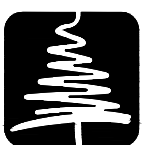
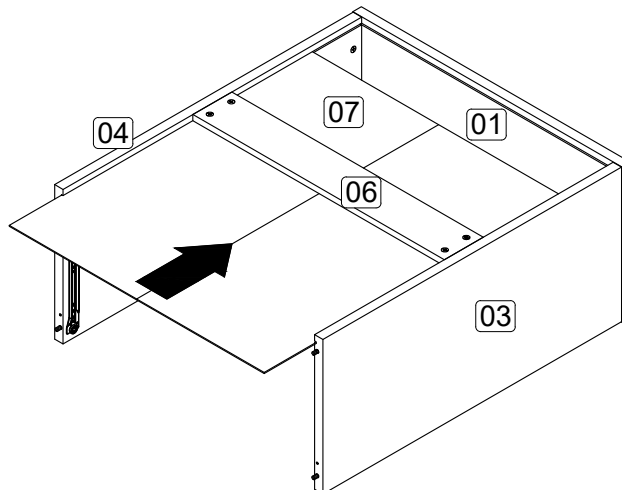
Step 3: Attach side panel (3) and (4) to top panel (1) using hardware A1 and A2 with a screwdriver (not provided).

DO NOT use any power tools as this may damage the frame and will invalidate any claim.



Step 4: Insert back panel (7) along the slot.

DO NOT use any power tools as this may damage the frame and will invalidate any claim.

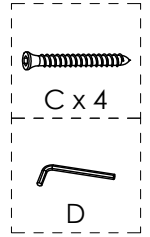
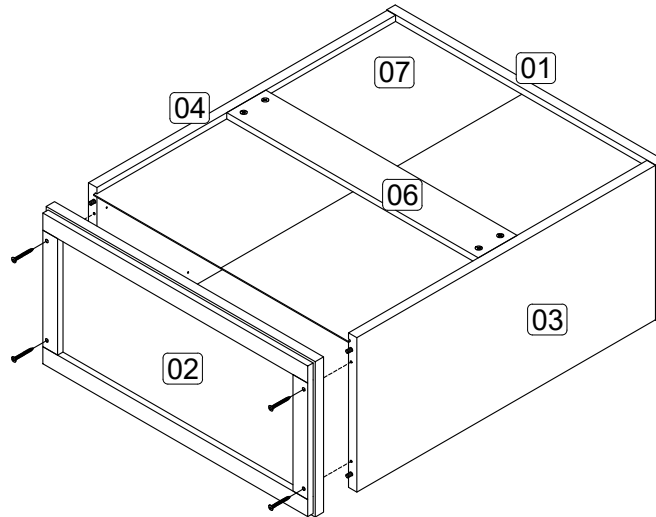
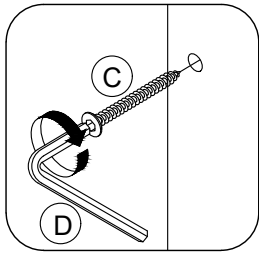


Birlea

Suppliers of inspiration

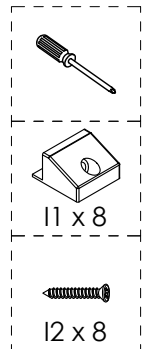
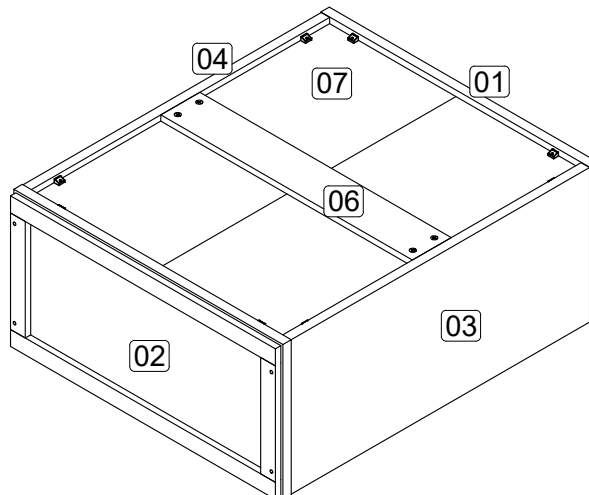
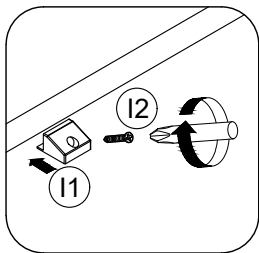
Step 5: Attach bottom panel (2) to side panel (3) and (4) using hardware C and D.

DO NOT use any power tools as this may damage the frame and will invalidate any claim.



Step 6: Attach hardware I1 into top panel (1), bottom panel (2), side panel (3) and (4) using hardware I2 with a screwdriver (not provided).

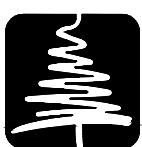
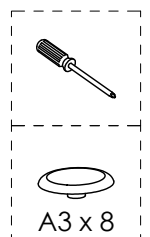
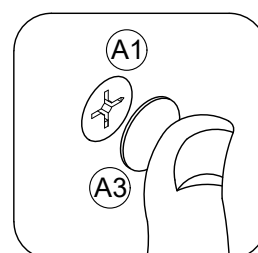
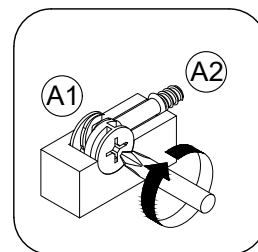
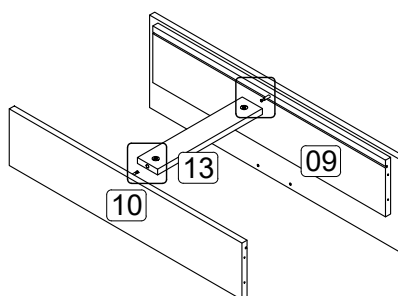
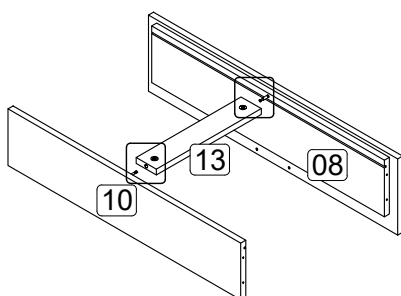
DO NOT use any power tools as this may damage the frame and will invalidate any claim.



Step 7: Attach drawer bone (13) to drawer front (8) and drawer back (10) and another drawer bone (13) to drawer front (9) and drawer back (10) using hardware A1 and A2 with a screwdriver (not provided).

In this step only show one of the drawers.

DO NOT use any power tools as this may damage the frame and will invalidate any claim.



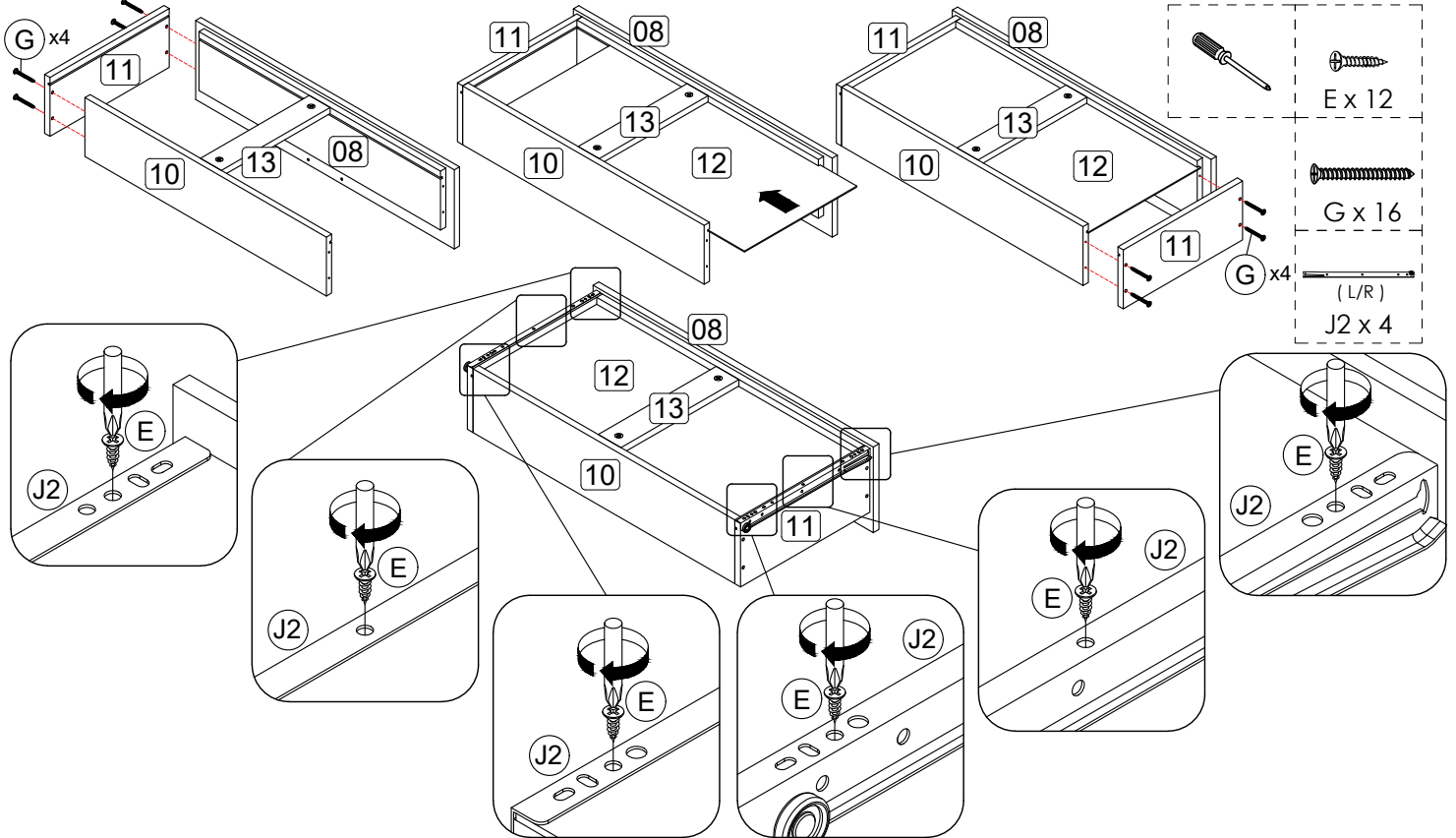
Birlea

Suppliers of inspiration

Step 8: Assemble the drawer components using hardware E, G and J2.

In this step only show one of the drawers.

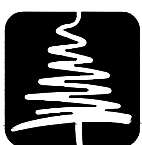
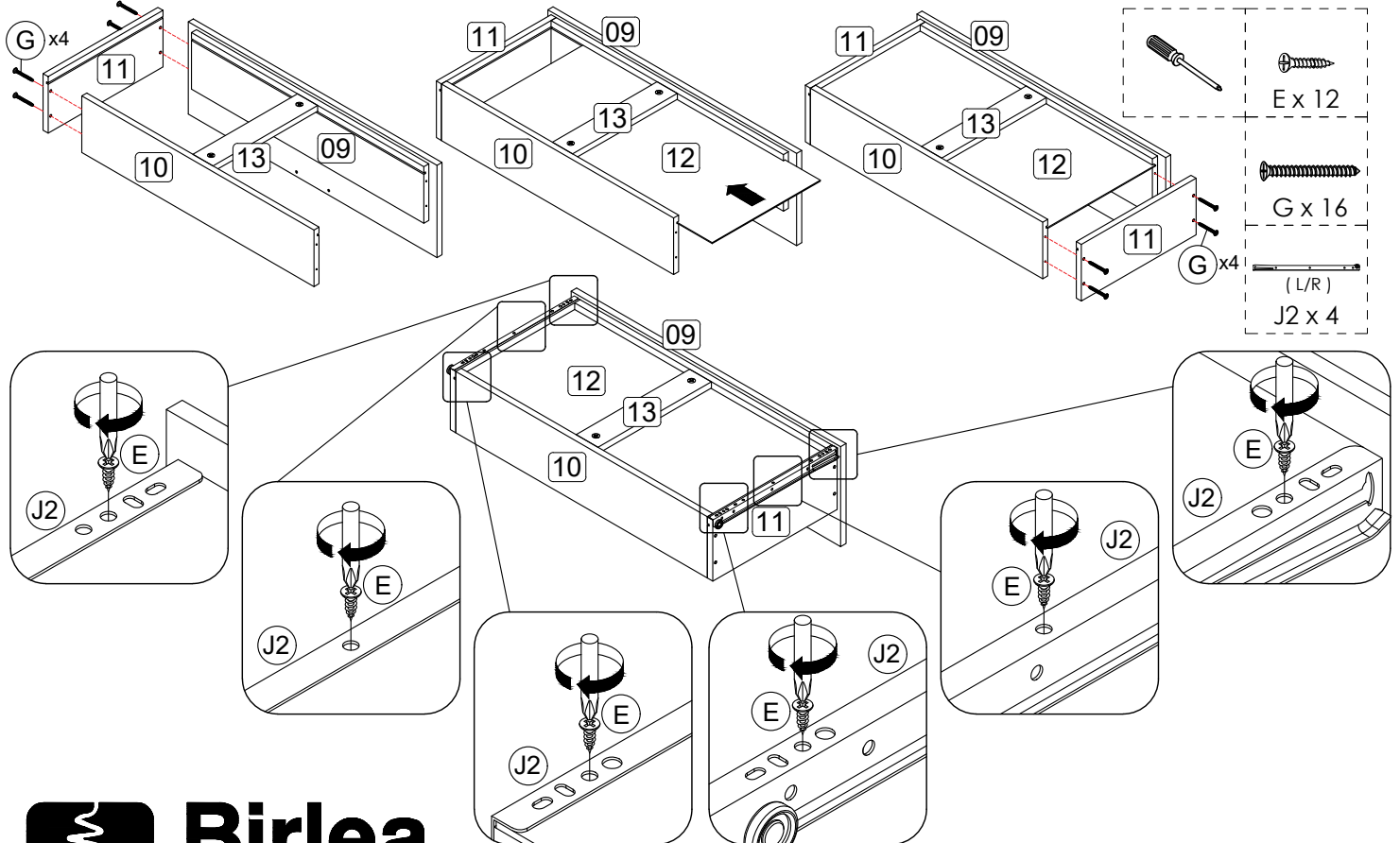
DO NOT use any power tools as this may damage the frame and will invalidate any claim.



Step 9: Assemble the drawer components using hardware E, G and J2.

In this step only show one of the drawers.

DO NOT use any power tools as this may damage the frame and will invalidate any claim.

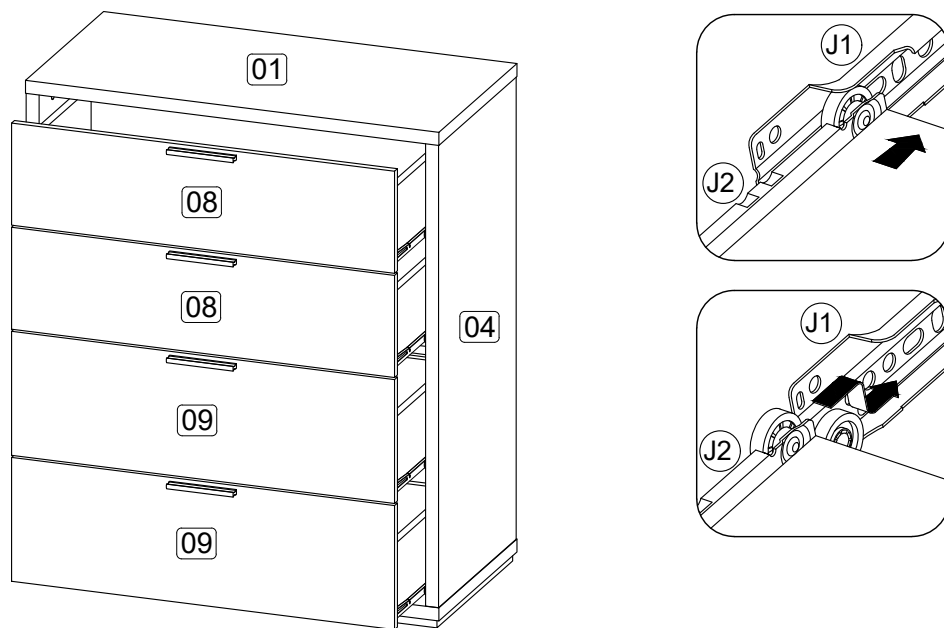


Birlea

Suppliers of inspiration

Step 10: Assemble the drawer in place along the drawer slides.

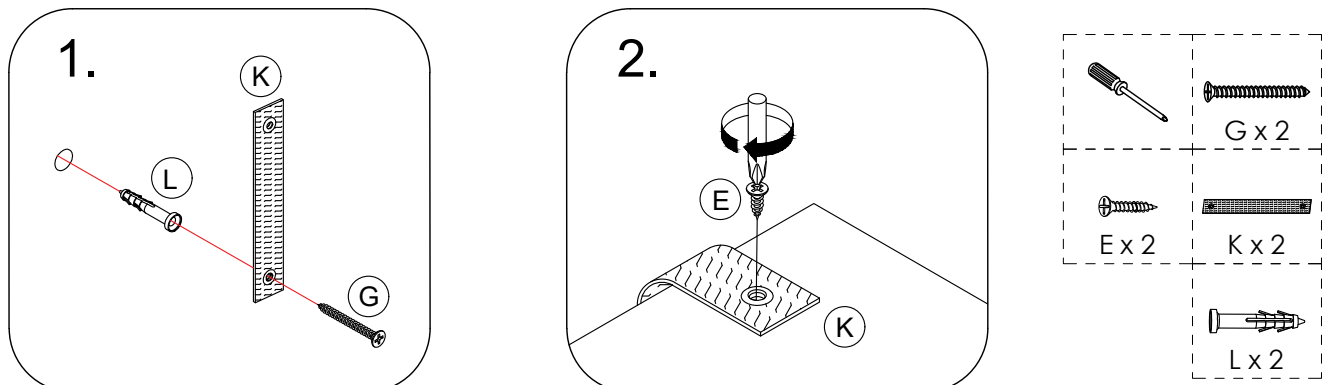
DO NOT use any power tools as this may damage the frame and will invalidate any claim.



Step 11: To secure the item to the wall use hardware G, K and L using a screwdriver (not provided).

Then attach hardware part K to top panel (1) using hardware E with a screwdriver (not provided).

DO NOT use any power tools as this may damage the frame and will invalidate any claim.

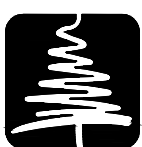


PLEASE NOTE that wall fixings are not supplied as different wall materials require different fixing devices. You must use fixings devices suitable for the type of wall you intend to mount product to. Ensure the head of any screw used has a diameter greater than the mounting hole and the fixing is safe and secure before use.

Birlea Furniture advise you use the wall straps provided to further enhance the safety of this product.

Additional Information:

- For complete product information, images and dimension diagrams please visit the website www.birlea.com
- If you have any issues with your item please contact the retailer directly you purchased it from who will be able to resolve any issues with Birlea.
- Why don't you send us photos of your assembled furniture to info@birlea.com to be shared in our #birleahome feature on instagram.



Birlea

Suppliers of inspiration