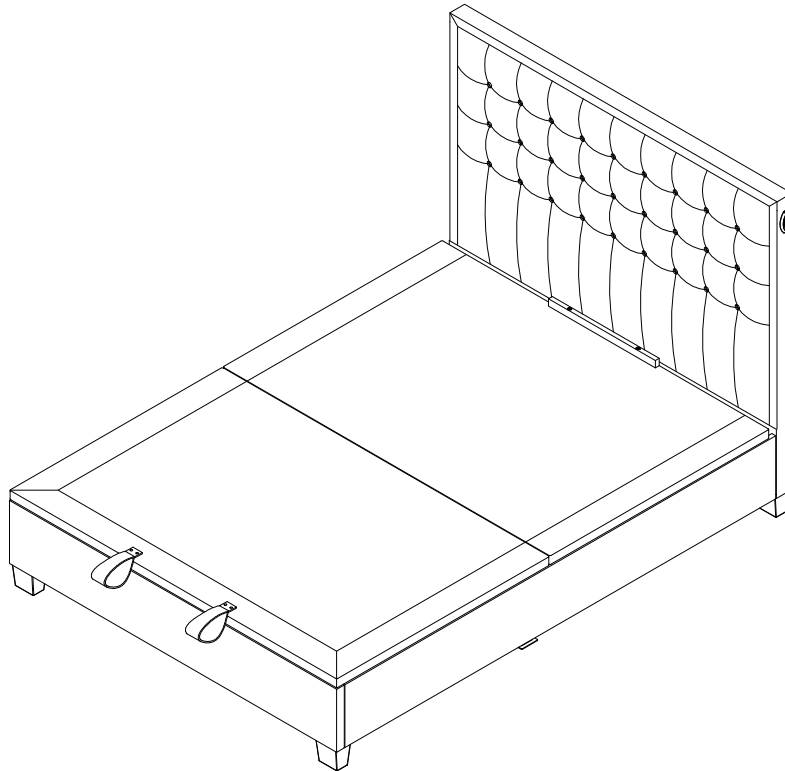




## **CHEVIOT AUTO FRONT LIFT 4FT6 BED**

### **Assembly Instructions**

Please keep these instructions for future reference.



Regrettably self-assembly items cannot be returned once assembly is part or fully completed unless the items are found to be faulty. Should you need to return the unassembled product, please repack in its original packaging.

#### **Important Information**

- We suggest you spend a short time reading through this leaflet and then follow the simple step-by-step instructions.
- Carefully check that you have all the parts before beginning assembly.
- Keep fittings out of children's reach and keep children well away from construction area.
- We suggest you retain these instructions for future reference.

#### **Care Instructions**

- Avoid exposing the furniture to excessive heat or direct sunlight as this can cause cracking or deterioration of the color.
- Periodically check & re-tighten any fastener.
- Periodically dust lightly with a clean soft cloth.
- Do not use silicone based furniture polish.
- Any spills should be removed immediately with a soft damp cloth.
- TAKE CARE WHEN MOVING THE FURNITURE AND NEVER DRAG THE PIECES ACROSS THE FLOOR, AS THIS WILL CAUSE DAMAGE TO THE JOINTS.



Comforms To :

-UK STD LVD / CE / EMC / ROHS
CE_Controller unit Linear Actuator_KDDY041:
-EN 55014-1:2001/A2:2006 ; EN 55014-2:2006/A1:2009/A2:2011 ; EN 61000-3-2:2014 ;
EN 61000-3-3:2013 ; EN62321; EN55011; EN60335; EN62233

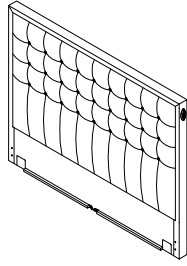


Comforms To :

-AUS STD EMC / RCM / EPS / SAA
C-TICK_Controller unit Linear Actuator_KDDY041:
-IEC 61558-2-16:2009+A1:2013 and IEC 61558-1:2005+A1:2009
-AZ/NZS 3112:2011; AZ/NZS 4417; AZ/NZS 4665.1; AZ/NZS 4665.2

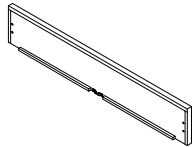
## Components of Carton 1

(A) Headboard x 1



## Component of Carton 2

(B) Footboard x 1



(C) Headboard Legs x 2

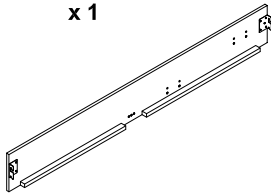


(D) Footboard Legs x 2

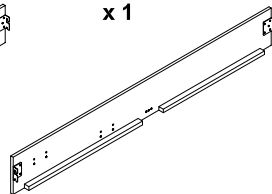


## Components of Carton 3

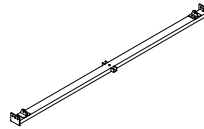
(E) Side Rail Left  
x 1



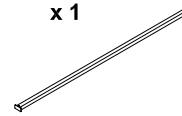
(F) Side Rail Right  
x 1



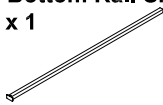
(G) Bottom Cross Bar  
x 1



(H) Bottom Rail-Long  
x 1



(I) Bottom Rail-Short  
x 1



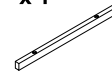
(J) Metal Leg x 2



(K) Centre Support leg  
x 1



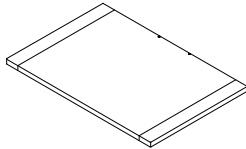
(L) Mattress Support  
x 1



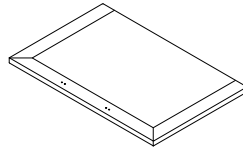
Hardware  
Bag

## Components of Carton 4

(M) Front Lift Base x 1

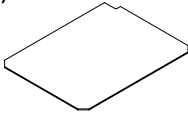


(N) Back Lift Base x 1

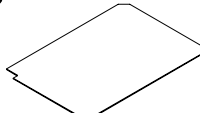


## Components of Carton 5

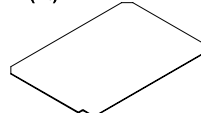
(O) Base Panel-1 x 1



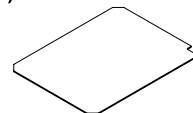
(P) Base Panel-2 x 1



(Q) Base Panel-3 x 1

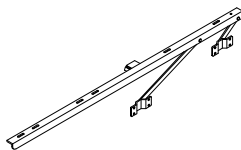


(R) Base Panel-4 x 1

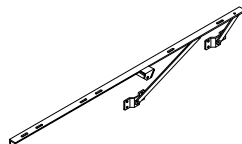


## Components of Carton 6

(S) Auto Front Lift Up  
Mechanism Left x 1

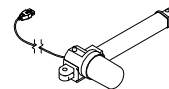


(T) Auto Front Lift Up  
Mechanism Right x 1

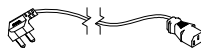


## Components of Carton 7

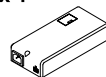
(U) Auto Front Lift Up Linear  
Actuator x 2



(V) Power Supply  
x 1



(W) Control Box  
x 1



(X) Metal Pin  $\varnothing 10 \times 57\text{mm}$   
x 4

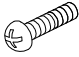
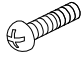




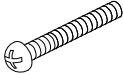
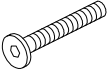
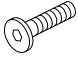
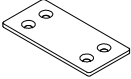

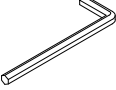



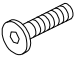



(Y) Metal Clip x 4



(Z) Wired Remote Control  
Cap x 1



Hardware List (in Carton 1)		Hardware List (in Carton 2)	
(ZA) M8 x 25mm x 4 (Pre-Installed)		(ZA) M8 x 25mm x 4 (Pre-Installed)	
			
Hardware List (in Carton 3)			
(ZA) M8 x 25mm x 16	(ZB) M8 x 18mm x 22	(ZC) M6 x 16mm x 4	(ZD) M8 x 20mm x 6
			
(ZE) M8 x 50mm x 2	(ZF) M8 x 40mm x 4	(ZG) M6 x 20mm x 4	(ZH) METAL PLATE x 2
			
(ZI) RATTAN SCREW (#8 x 32mm) x 8	(ZJ) Allen Key M5 x 1	(ZK) Allen Key M4 x 1	(ZL) Screw Driver x 1
			
(ZM) Strap Handle x 2			
			
Hardware List (in Carton 4)			
(ZN) M6 x 20mm x 14 (Pre-Installed)	(ZO) M6 x 16mm x 14 (Pre-Installed)		
			

## **Tips before you start!**

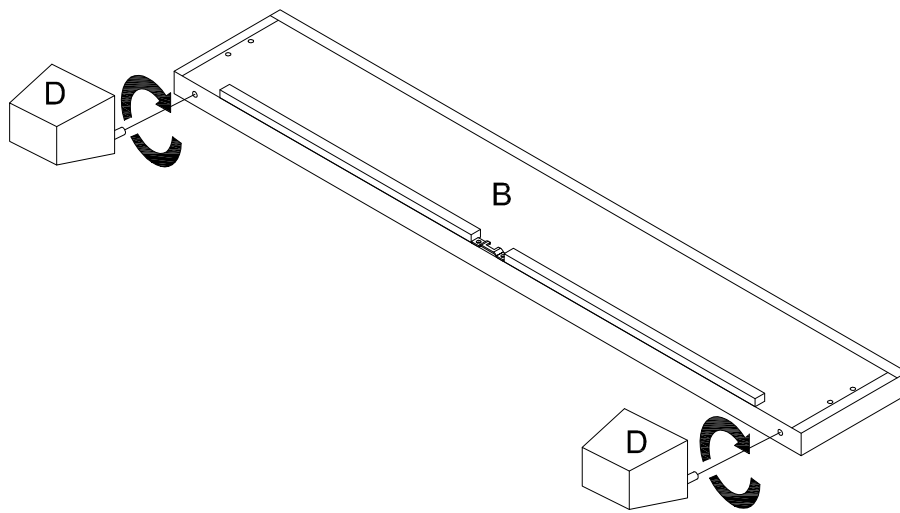
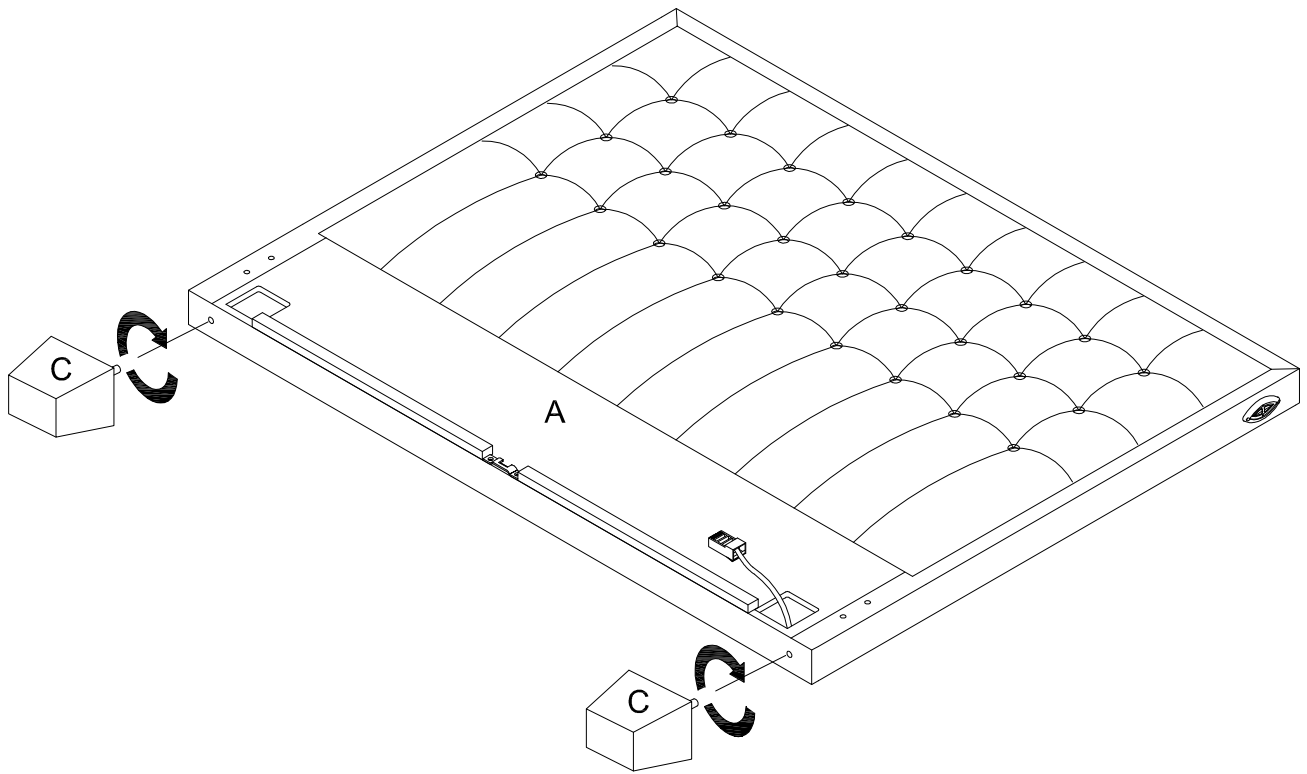
1. Please check that all parts are present before you start the assembly of your furniture.
2. For ease and speed of assembly, we recommend that before you commence each step of the assembly, that you identify all the parts required for that step.
3. For larger items, please ensure that you have sufficient space and people (as indicated on page 1) to assemble your product safely. (Minimum Two Persons)
4. We recommend where possible, all items are assembled near to the area where they will be placed in use, to avoid moving the product unnecessarily once assembled.
5. Please ensure that your bed is placed on a level floor area. (Avoid setting up and installing your bed on uneven floor surface.
6. For the protection of your furniture, we recommend that the product is placed on a protected surface during assembly to prevent any damage.
7. During assembly please take care not to over-tighten any fittings, as this may damage the product.

## **Care and Maintenance of your Furniture**

- Please periodically check all fittings and re-tighten as necessary.
- To clean your item, please use a soft damp cloth and wipe clean.
- Please do not jump on your furniture.
- Never allow any kind of liquid to remain on your furniture. This can cause finishes to de-laminate. Take care when spraying Perfume and deodorants etc as the vapour can settle on the fabric surface and cause damage.
- It is important to Never Drag your bed as this can cause damage to the joints and the fixings. This may invalidate your guarantee.
- The bed should always be lifted into position or if moved for cleaning.

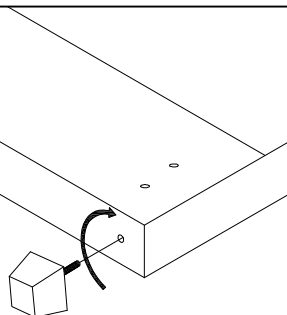
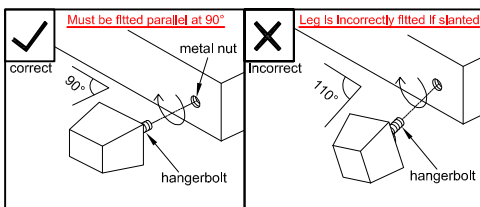
# Step 1

- Attach the legs to headboard & footboard as shown.



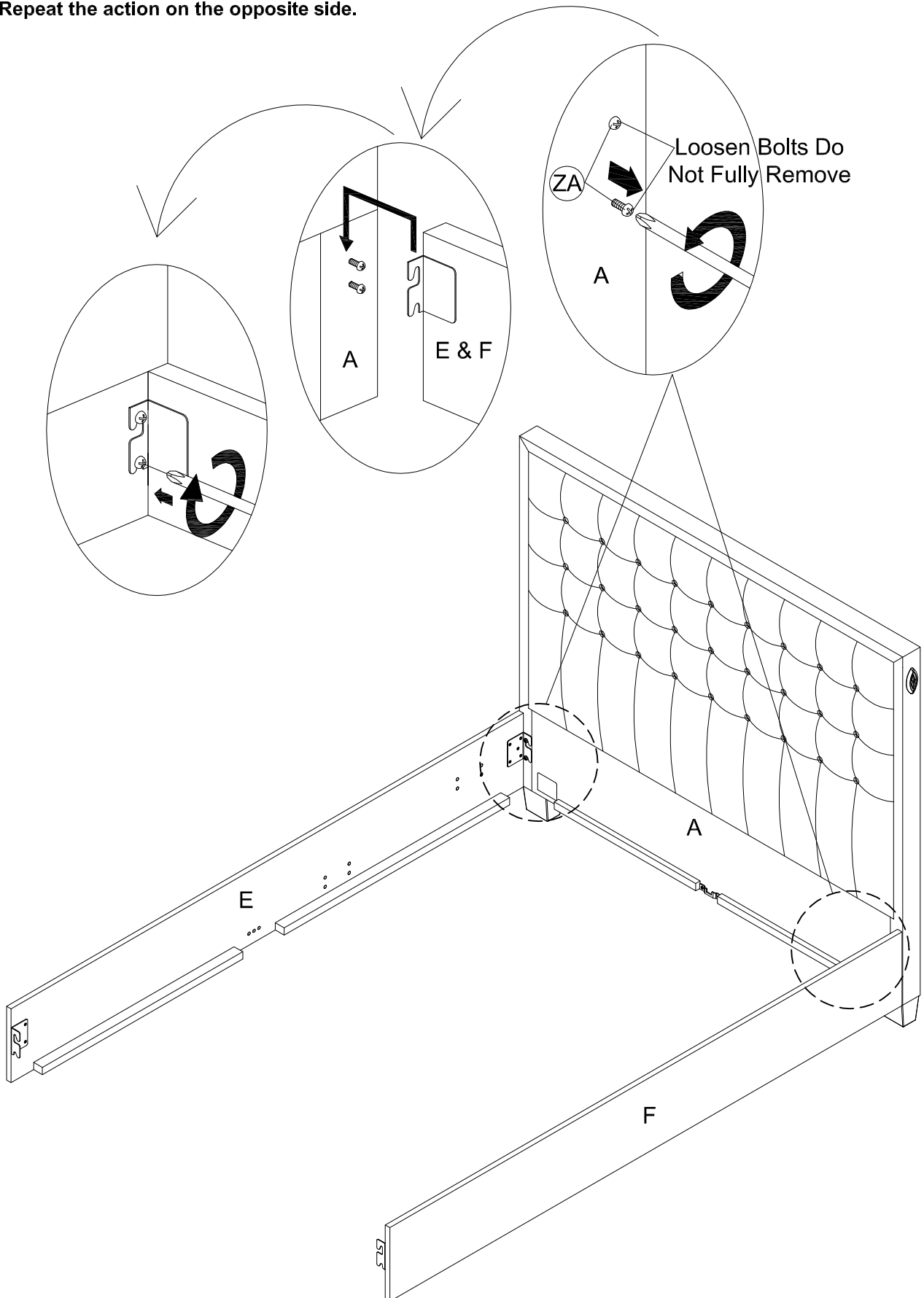
### Special Note : For Assembled Leg

Please make sure the bolt thread is correctly matched with the metal nut. Do not over tighten, as this may cross the threads causing damage to the product.



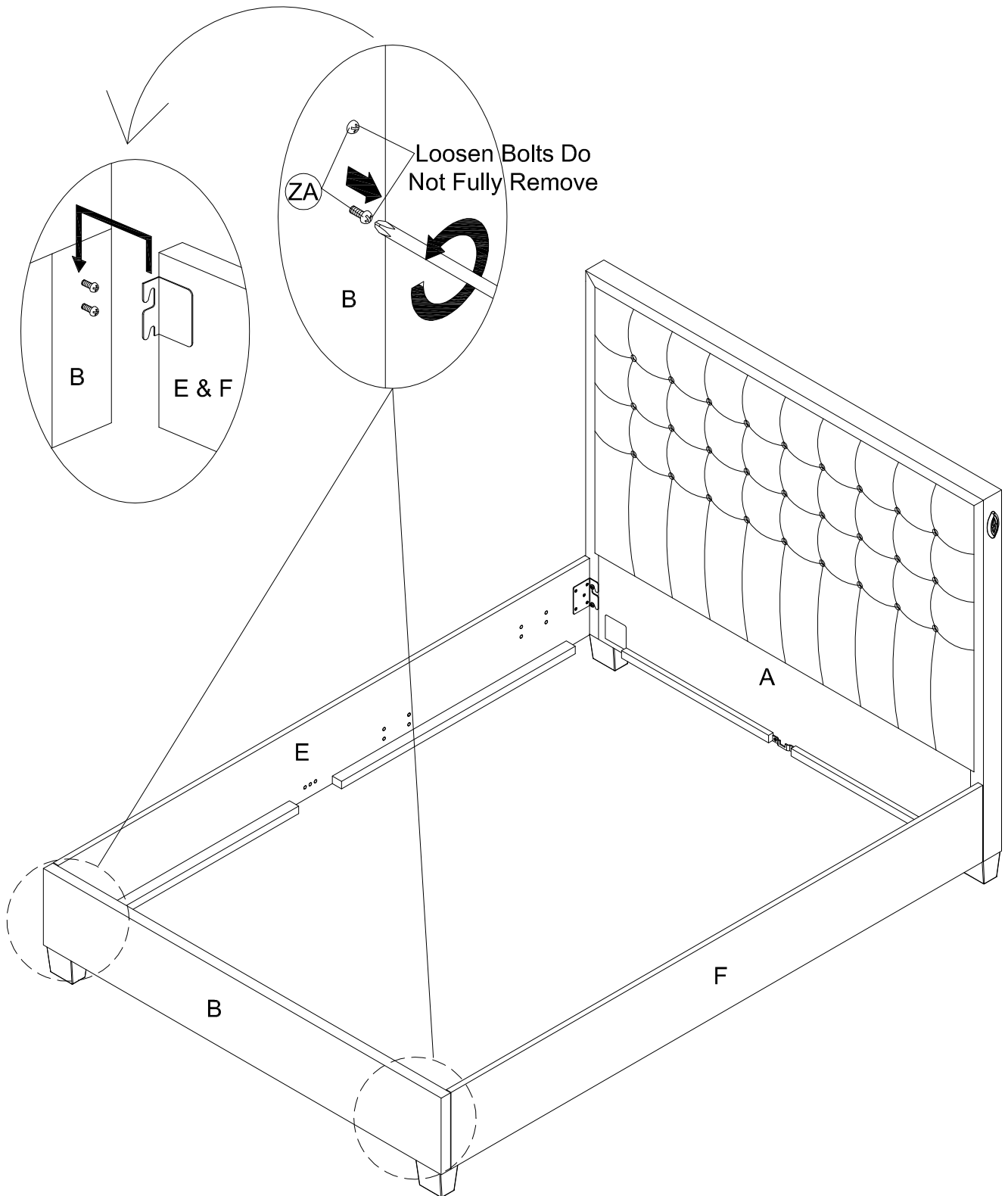
## Step 2

- Loosen the bolts located in the head end. (Note: only loosen the bolts Do NOT remove them.)
- Hook the side rail over the bolts as shown then tighten it.
- Repeat the action on the opposite side.



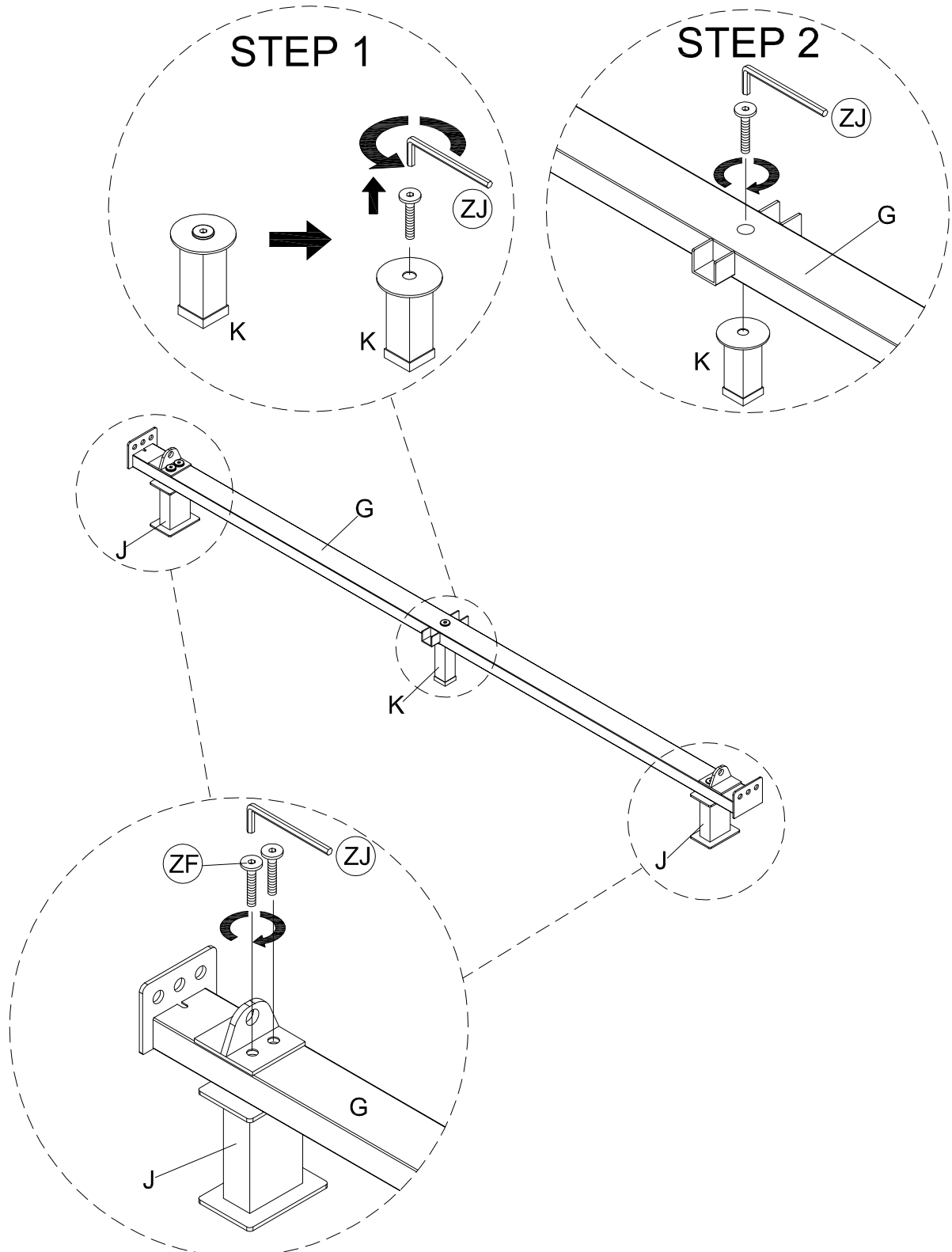
### Step 3

- Loosen the bolts located in the foot end. (Note: only loosen the bolts Do NOT remove them.)
- Hook the side rail over the bolts as shown. (Do not fully tighten first)
- Repeat the action on the opposite side.



## Step 4

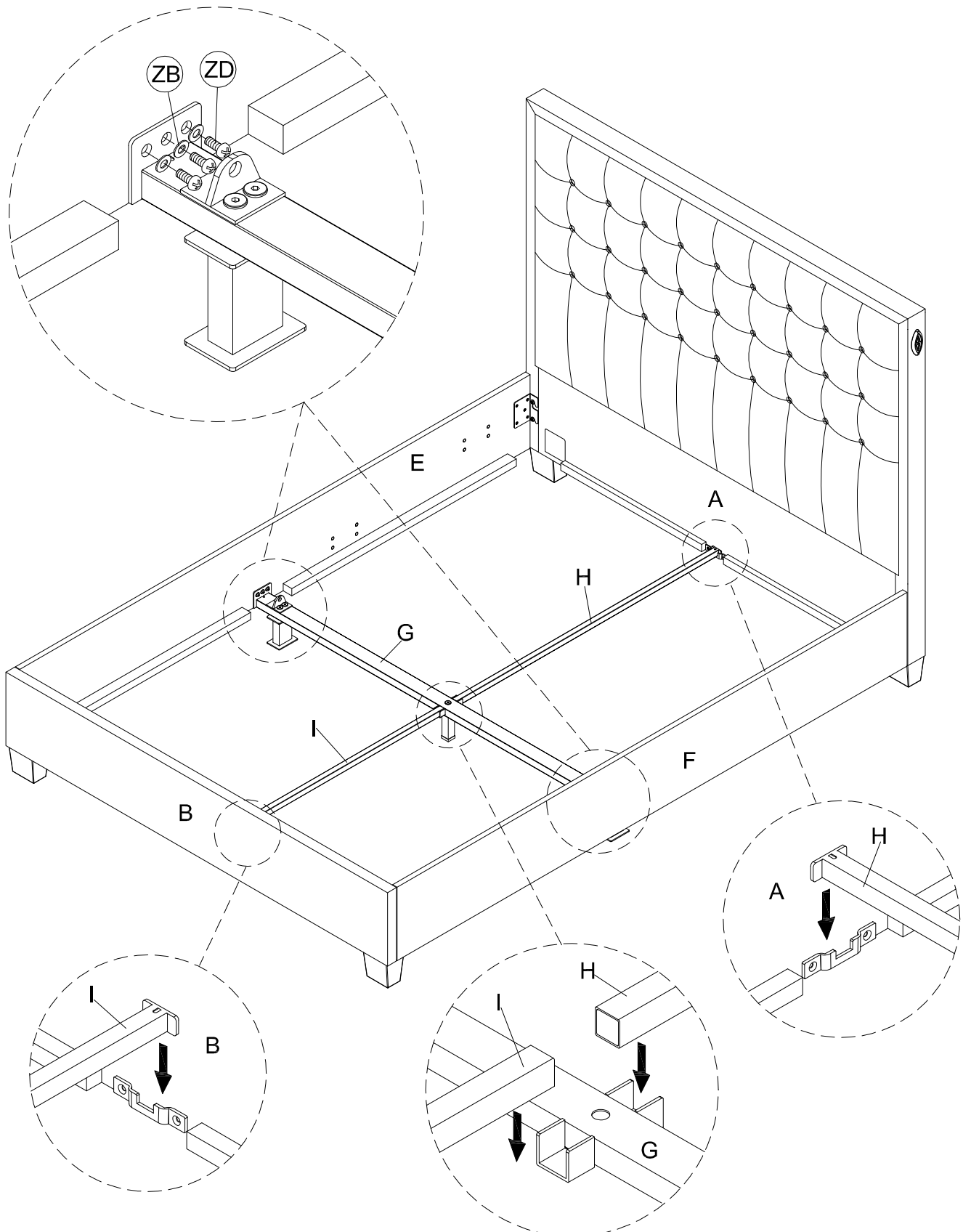
- Take out the bolt inside centre support leg (K).
- Tighten the centre support leg (K) to bottom cross bar (G) with bolt provided as shown.
- Tighten the metal legs (J) to bottom cross bar (G) with bolt (ZF) provided.





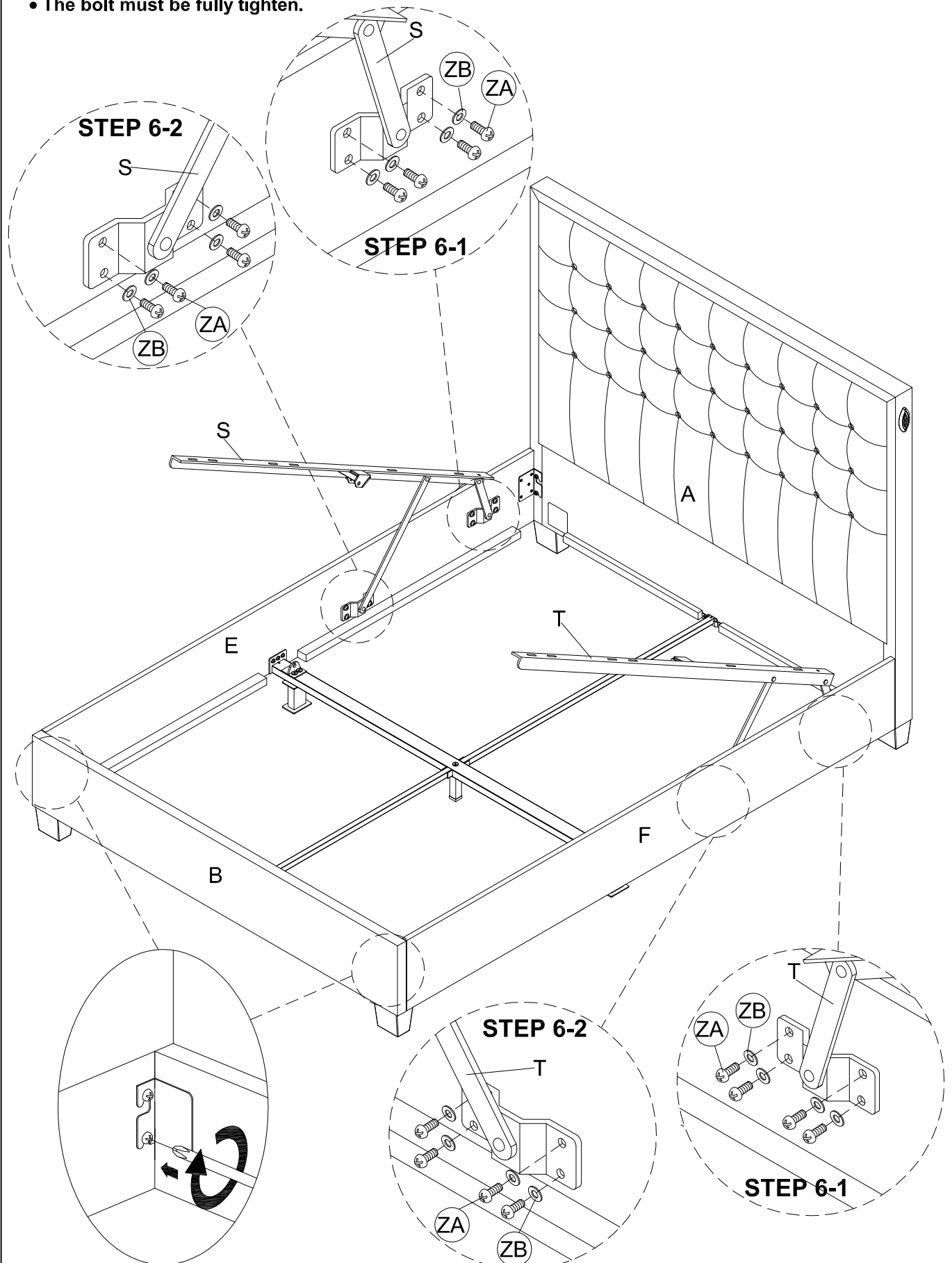
## Step 5

- Attach the bottom cross bar (G) to the side rail & tighten with bolt (ZD) & washer (ZB) provided as shown.
- Attach the bottom rail-long (H) to head end & bottom cross bar (G) as shown.
- Attach the bottom rail-short (I) to foot end & bottom cross bar (G) as shown.



## Step 6

- Attach the auto front lift up mechanism left & right (S & T) to the side rail.
- First, tighten the rear metal bracket near headend (A) (Step 6-1) & follow by the front metal bracket near footend (B) (Step 6-2) with bolt (ZA) & washer (ZB) provided as shown.
- The bolt must be fully tighten.



## Step 7

- The wired remote control has been factory fitted on the right side of head end.
- In the event you want to change the wired remote control position to the opposite side of head end, please follow below steps.

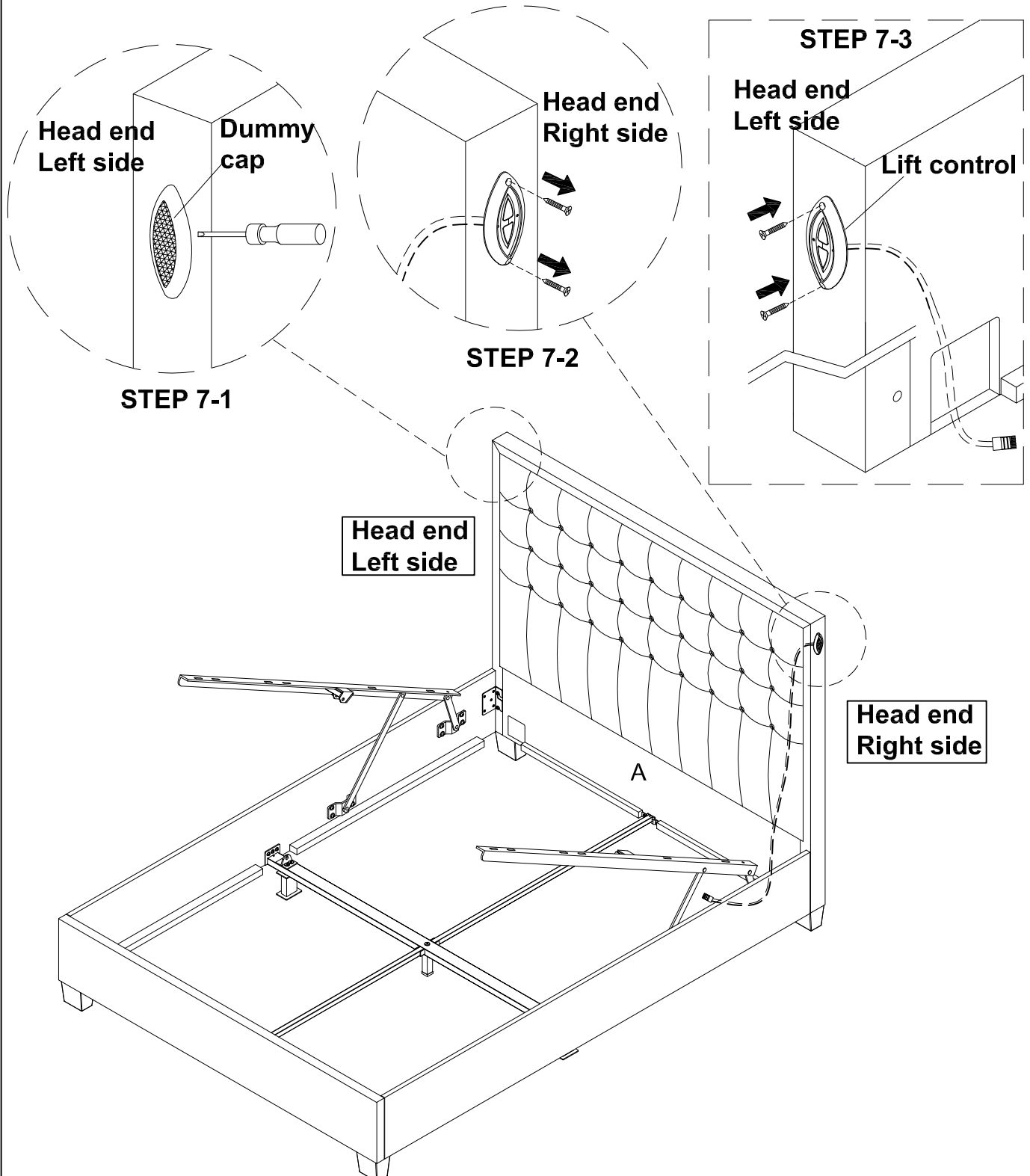
Step 7-1 : Carefully take out the dummy plastic cap using your fingers or the provided flat tip screwdriver.

Step 7-2 : Unscrew the wired remote control at the right side of head end. Carefully pull through / out the cable that is located inside the head end.

Step 7-3 : Carefully drop the cable through the opposite side hole & pull the cable plug end, out through the mouse hole, located at the bottom of head end near to the floor.

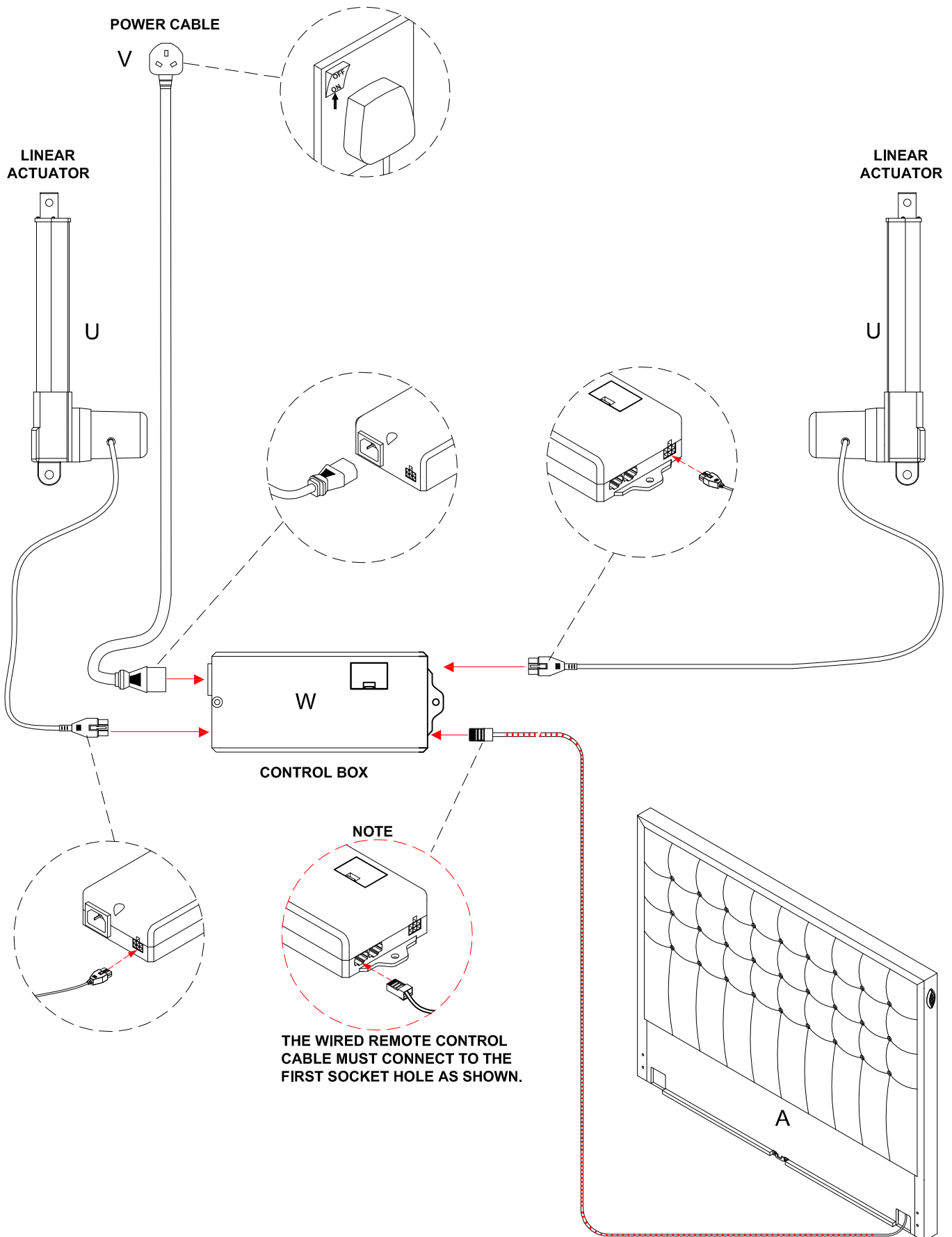
Step 7-4 : Carefully fit the wired control into the hole & secure with screw.

Step 7-5 : Attach the dummy plastic cap (without cable) to the opposite hole in the head end.



## Step 8

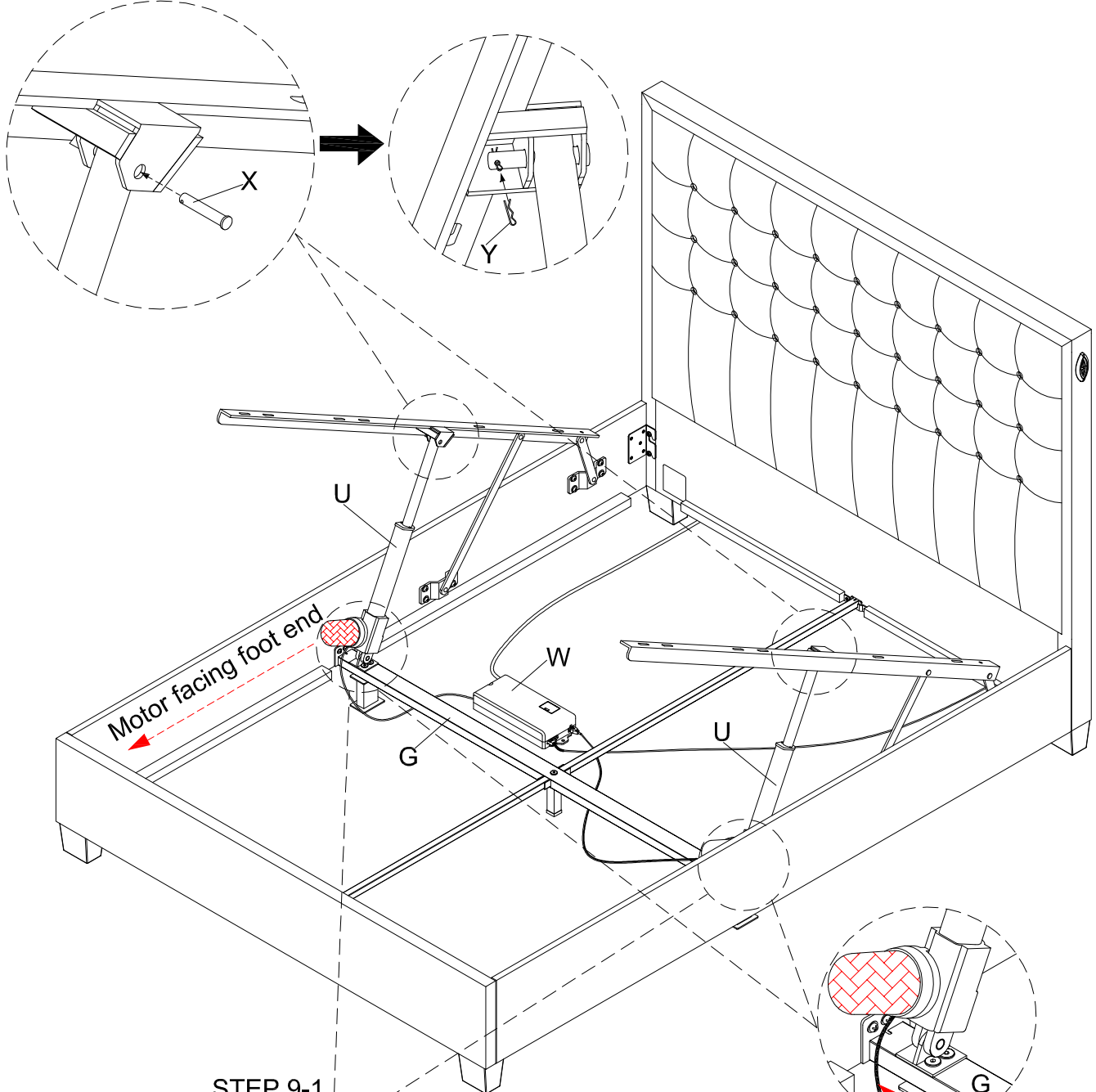
- Connect all the cables as shown below.



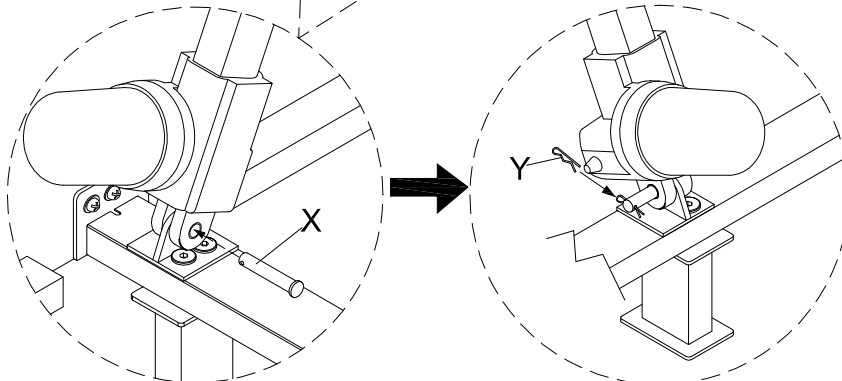
## Step 9

- Attach the auto front lift up linear actuator (U) to the auto front lift up mechanism.
- Insert the metal pin (X) to the bottom part as shown in step 9-1.
- Insert the metal pin (X) to the top part as shown in step 9-2.
- Then secure the metal pin (X) with metal clip (Y).

### STEP 9-2



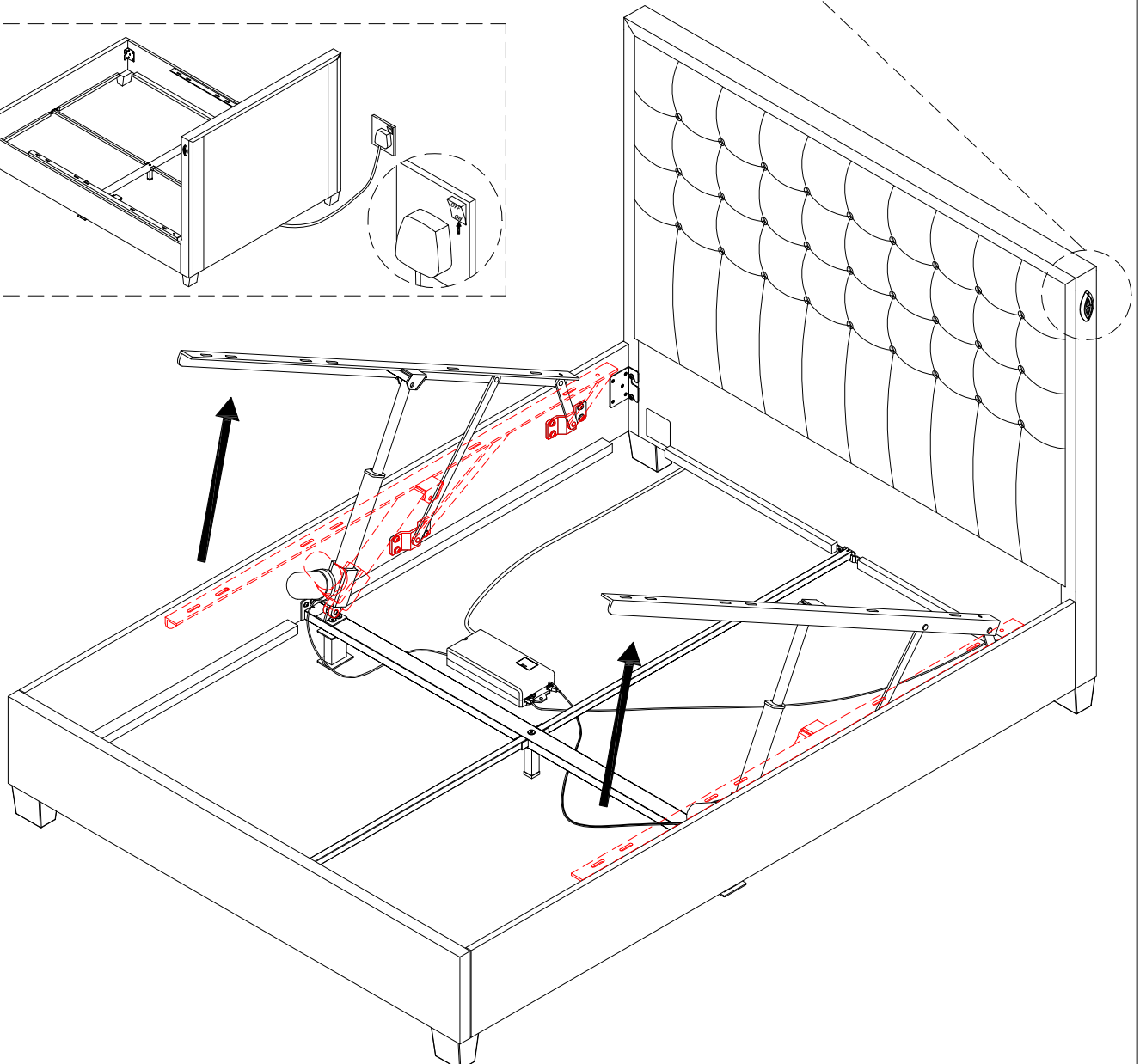
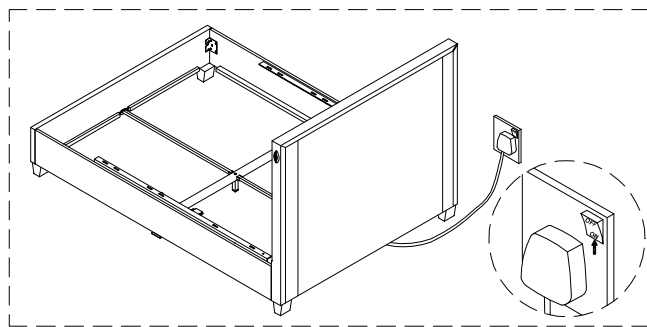
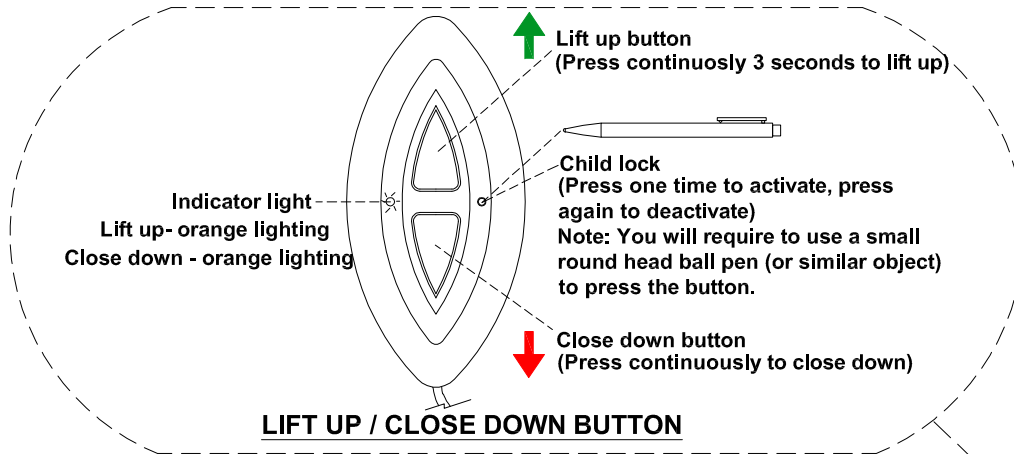
### STEP 9-1



The linear actuator cable must be placed in front of the cross bar (G) & underneath the cross bar to connect with control box (W)

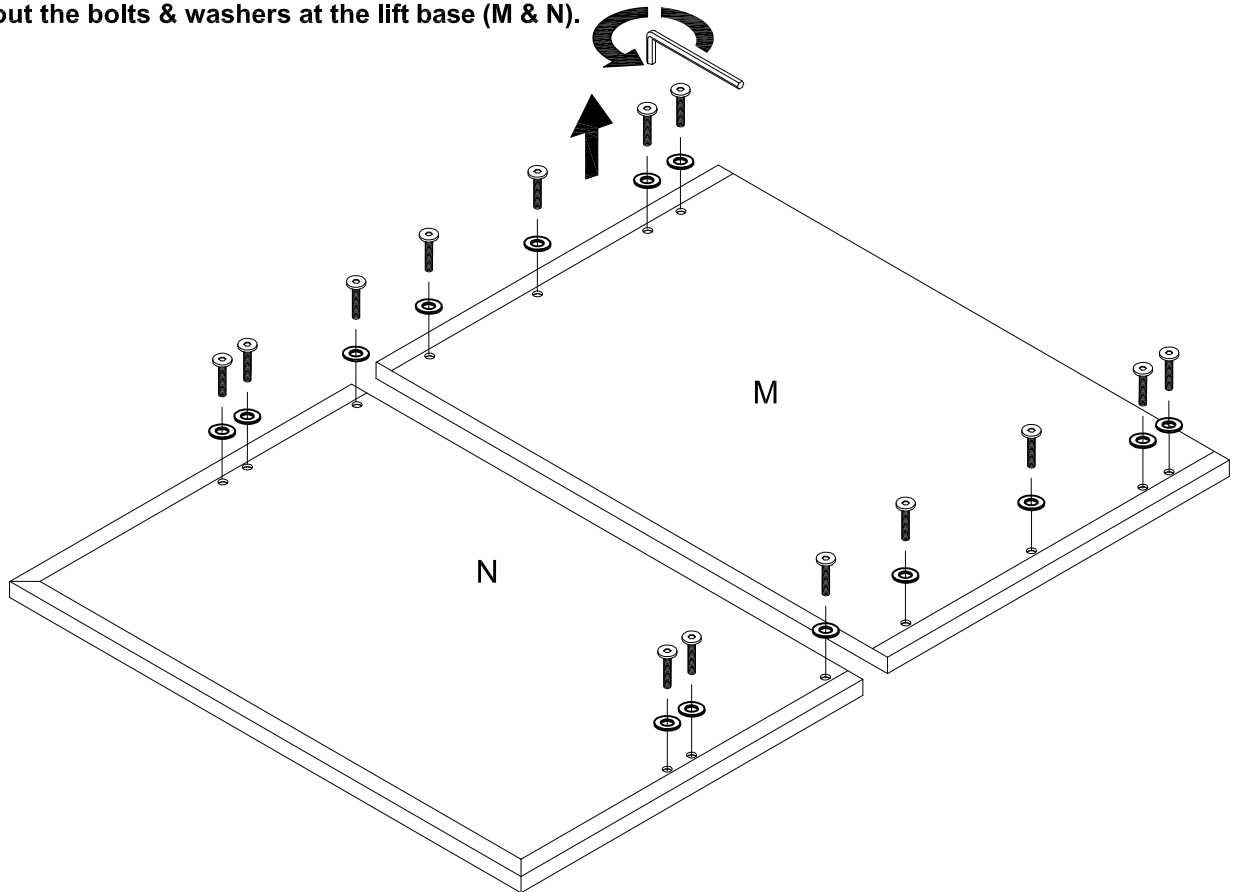
## Step 10

- Connect the power plug to your main supply and switch on the main power supply.
- For initial start up both the up and down function buttons must be pressed together at the same time, for at least 8 seconds until hear the 'beep' notification sound. Repeat if necessary.
- Press the Lift up button to lift the linear actuator extend fully to assemble the lift base.
- Press the Lift up / Close down button built into the headboard (A) to test the linear actuator operation. Continue to test the linear actuator (up/down) for several times. If the actuator will not go down by itself, you need to apply pressure to both actuator connector arms until fully closed.



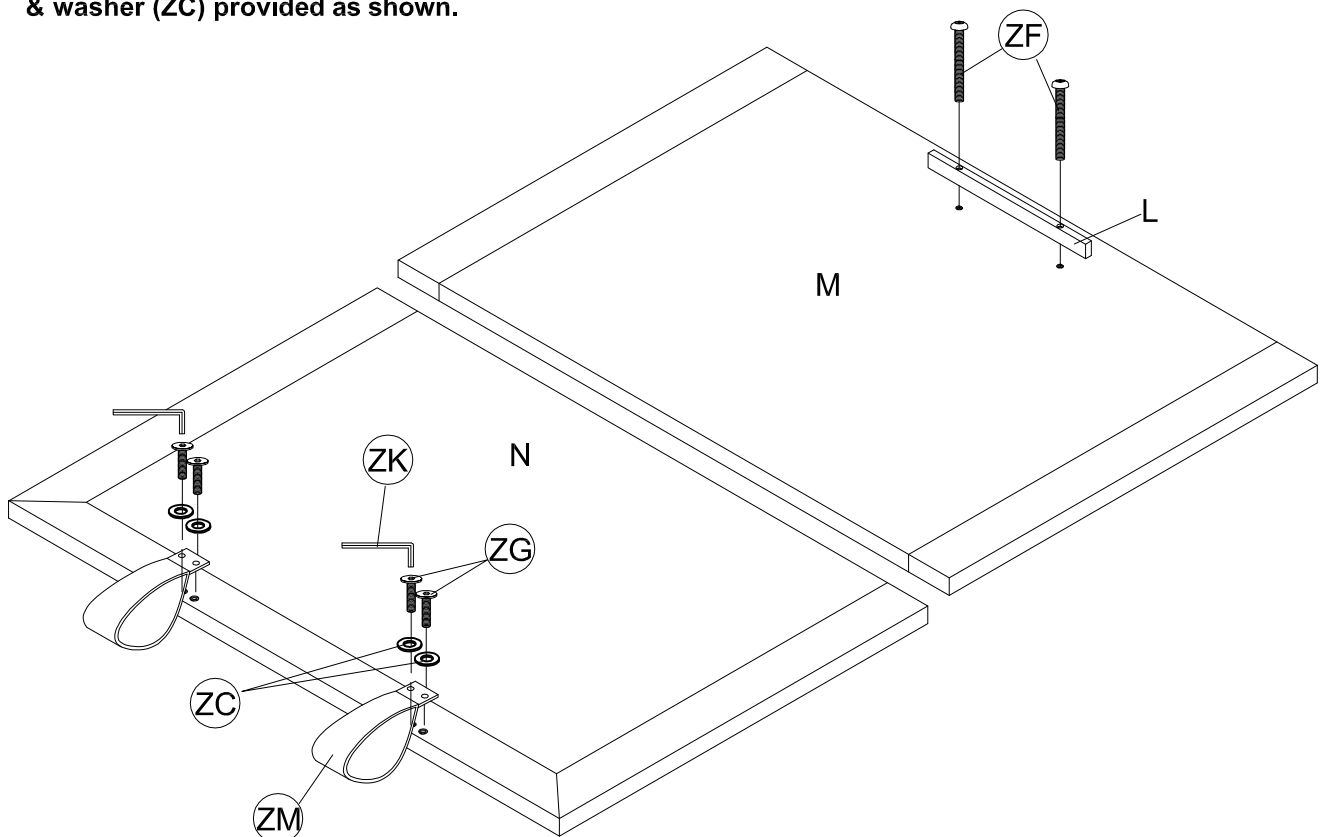
## Step 11

- Take out the bolts & washers at the lift base (M & N).



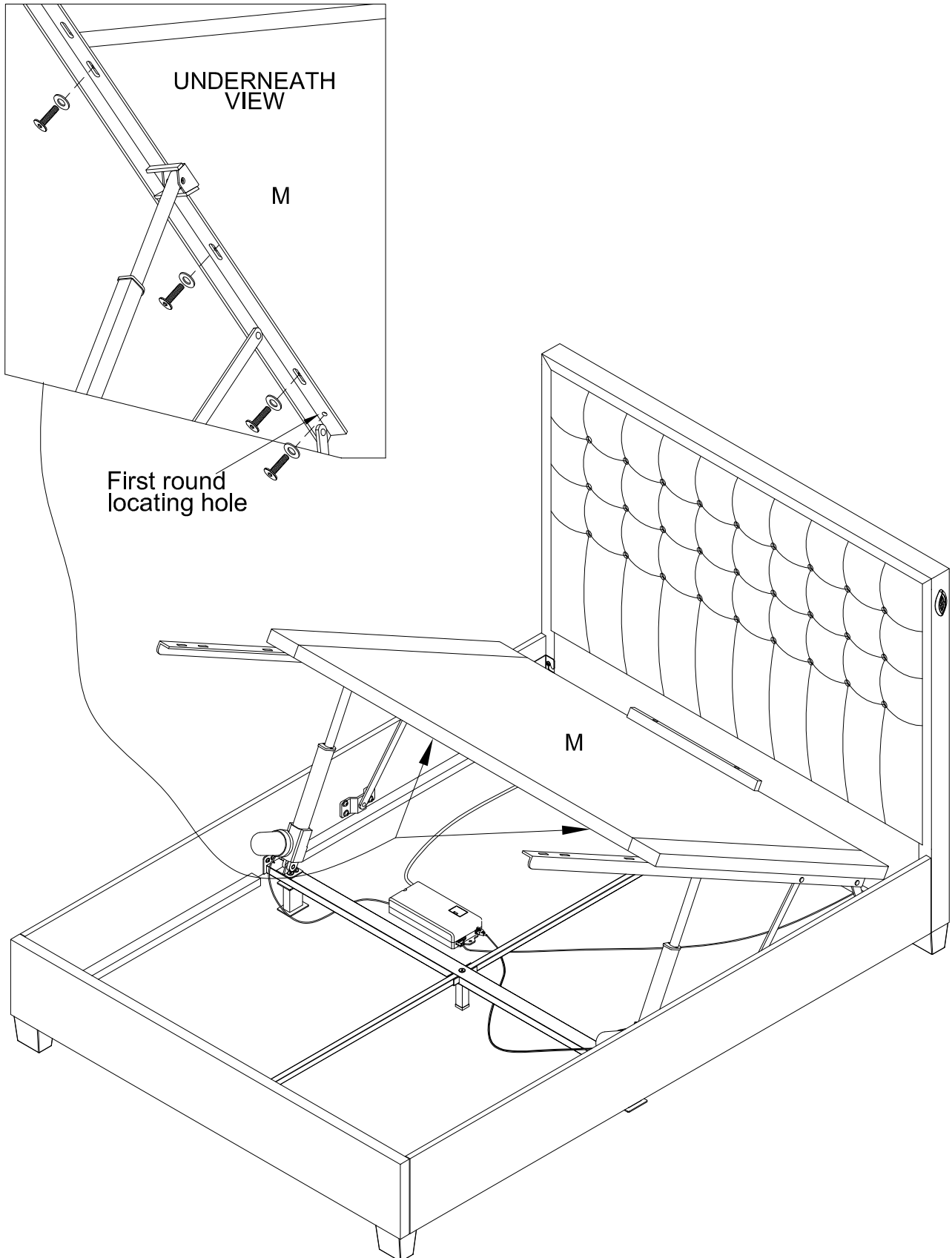
## Step 12

- Attach the mattress support (L) to the front lift base (M) with bolts (ZF) provided.
- Attach the strap handle (ZM) to the back lift base (N) with bolts (ZG) & washer (ZC) provided as shown.



## Step 13

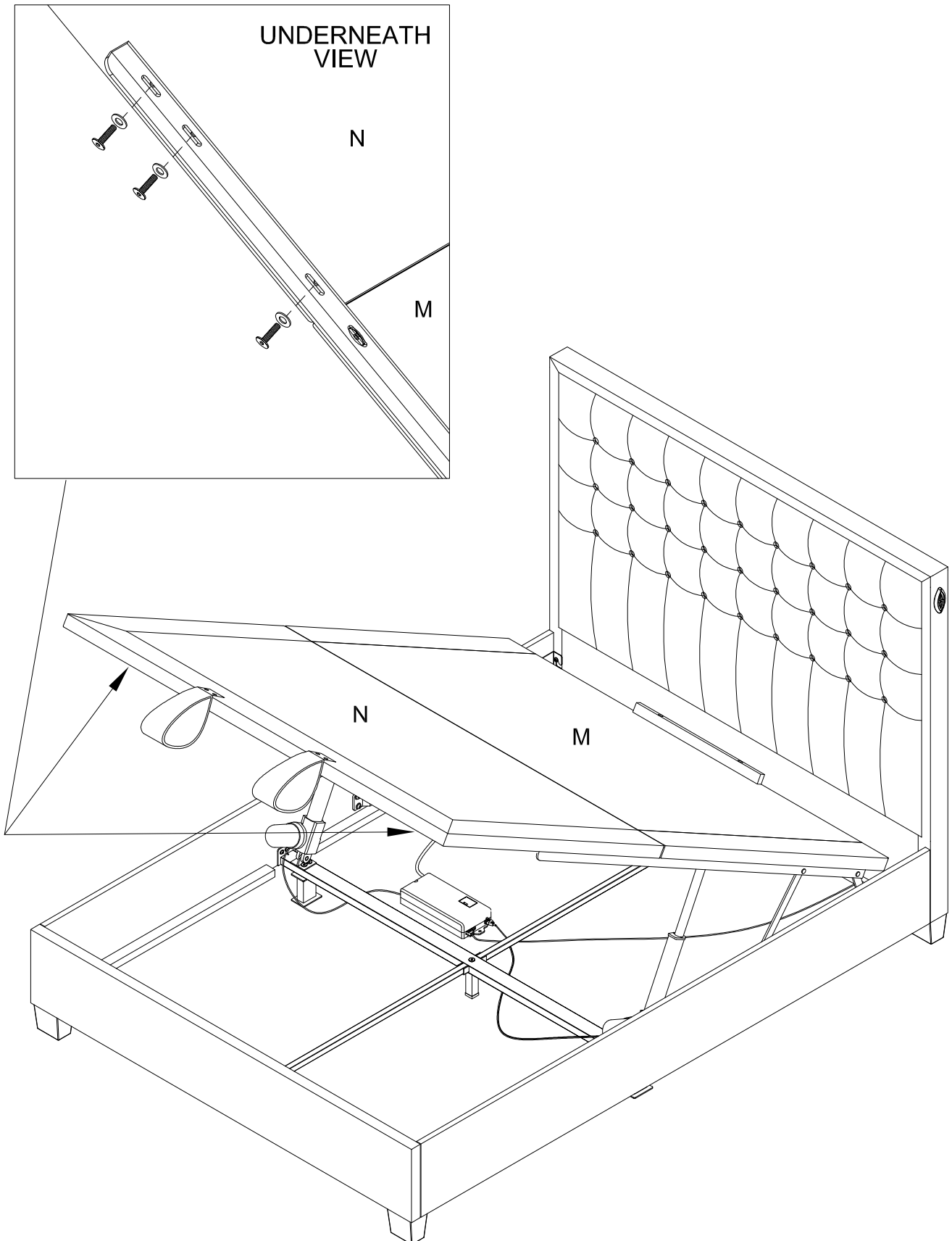
- Put the front lift base (M) on top of the front lift up mechanism left & right (S & T).
- Use allen head screw and flat washer to tighten the first round locating hole as shown, after this fully tighten all others screws as shown.





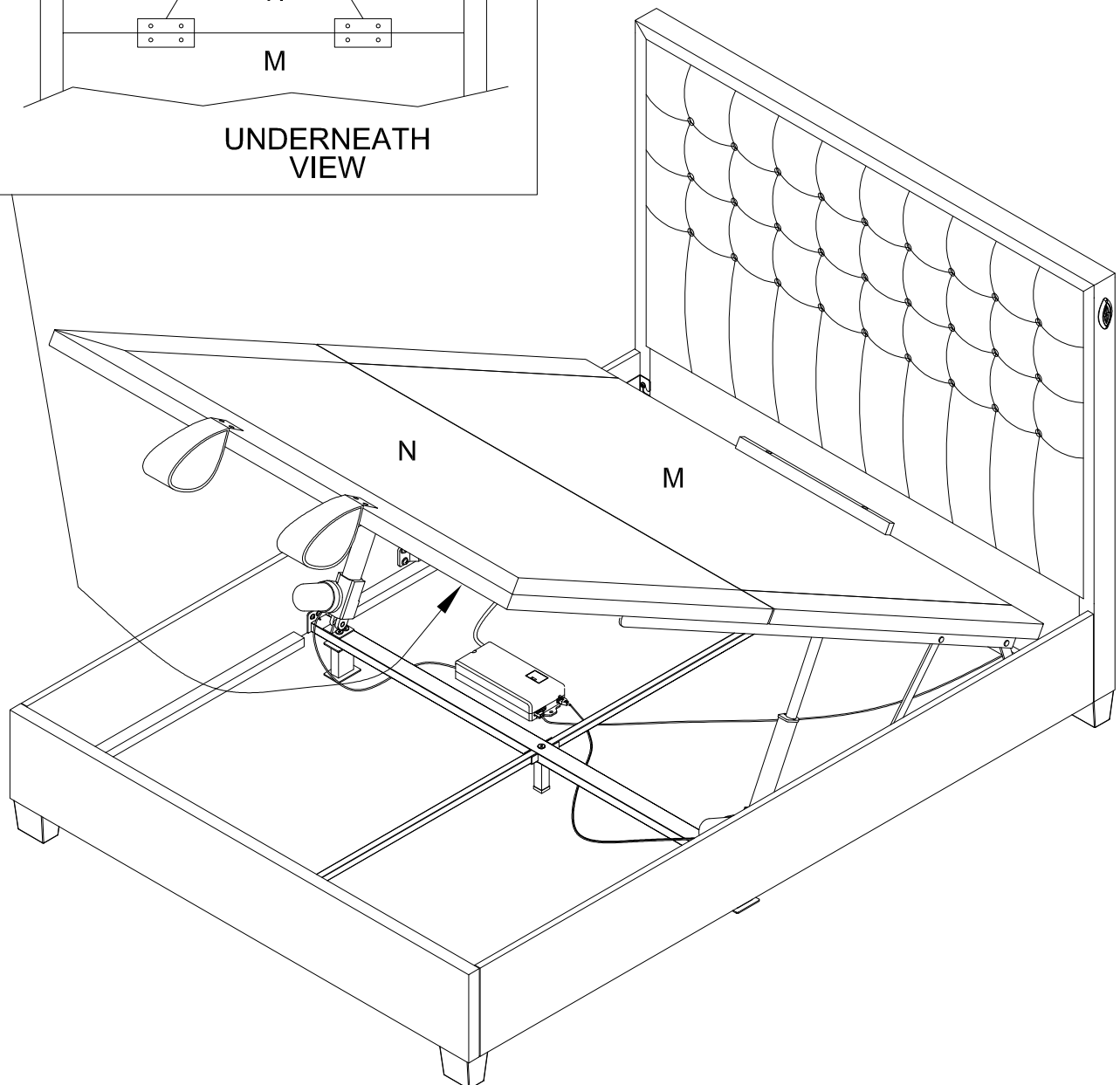
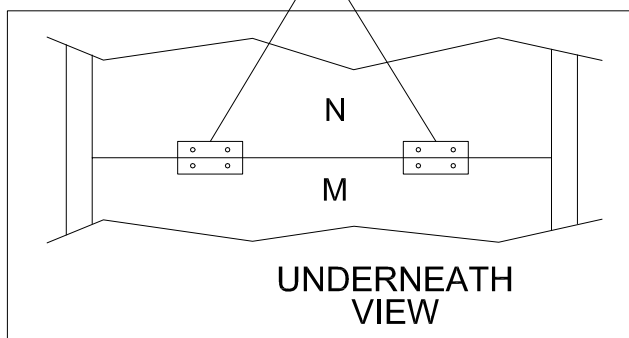
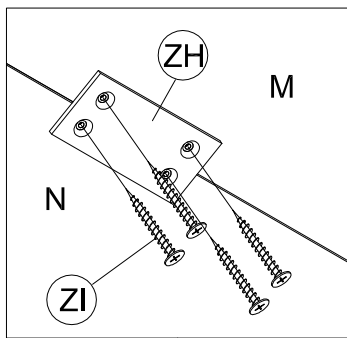
## Step 14

- Put the back lift base (N) on top of the front lift up mechanism left & right (S & T).
- Use the allen key to tighten all screws and washers as shown.



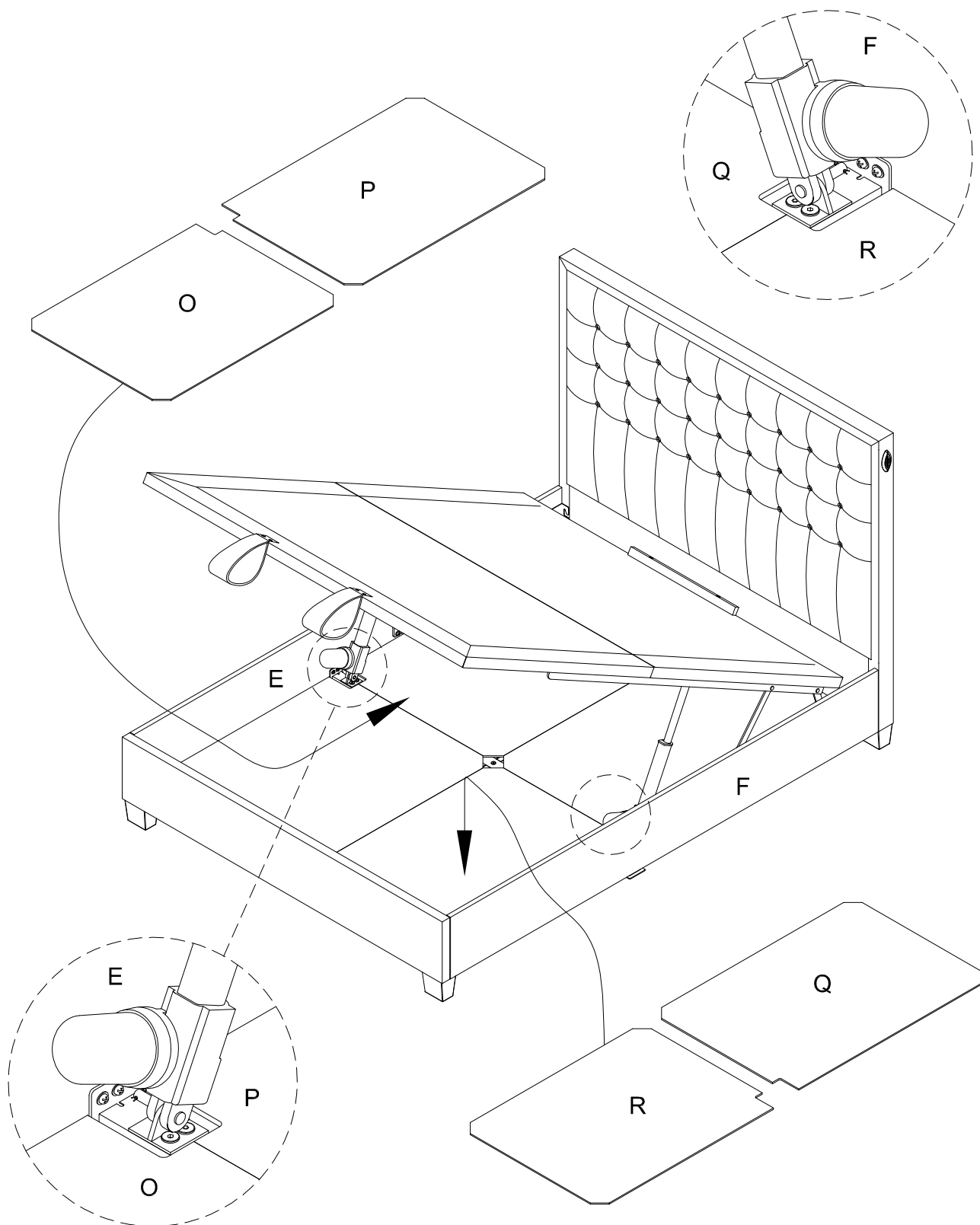
## Step 15

- Attach the metal plate (ZH) to the bottom of lift base (M) & (N).
- Tighten the screws (ZI) using the screw driver (ZL) as shown.



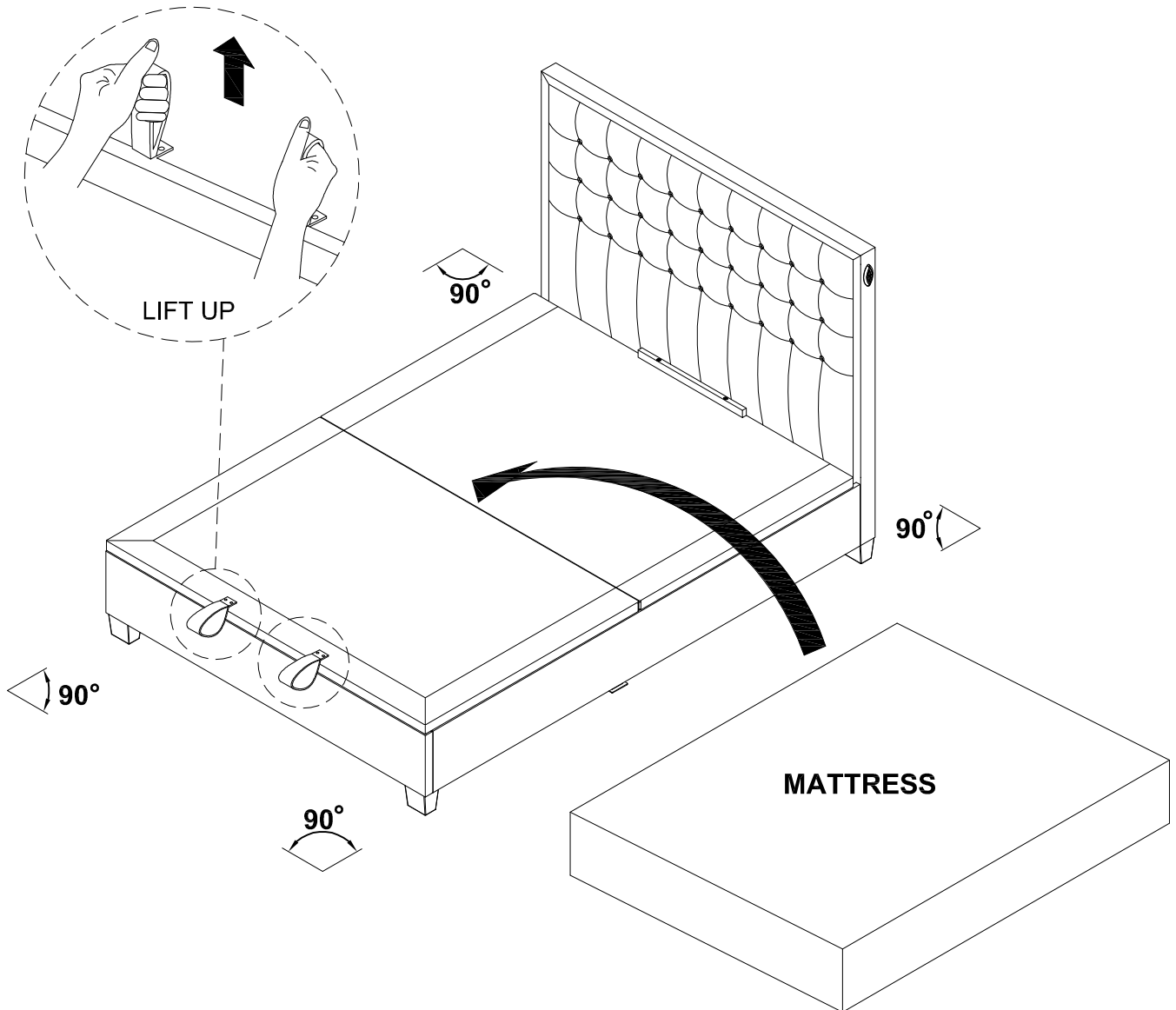
## Step 16

- Put the base panel (O) & (P) on top of cross bar (G) & bottom rail (H) & (I). Attach these base panel to side rail left (E) as shown.
- Put the base panel (Q) & (R) on top of cross bar (G) & bottom rail (H) & (I). Attach these base panel to side rail right (F) as shown.



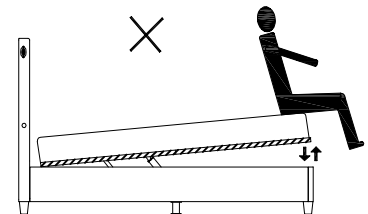
## Step 17

- Place the mattress on to the lift base as shown.
- Make sure the Bed Frame 4 side angles are at 90 degrees before you close the lift base.
- In case of no power supply due to any cause, you can use the strap handle to lift up the lift base manually as shown.



### Caution

- Do not allow children to operate the lift up bed.
- Do not allow children near the lift base when operating the linear actuator.
- Do not allow children in the area of the internal storage base.
- Keep the hands off the mattress when operating the system
- Do not stand inside the bed / on the internal storage base.
- Do not overload the internal storage base.
- Do not sit or lie on the bed whilst the lift up bed is in operation.

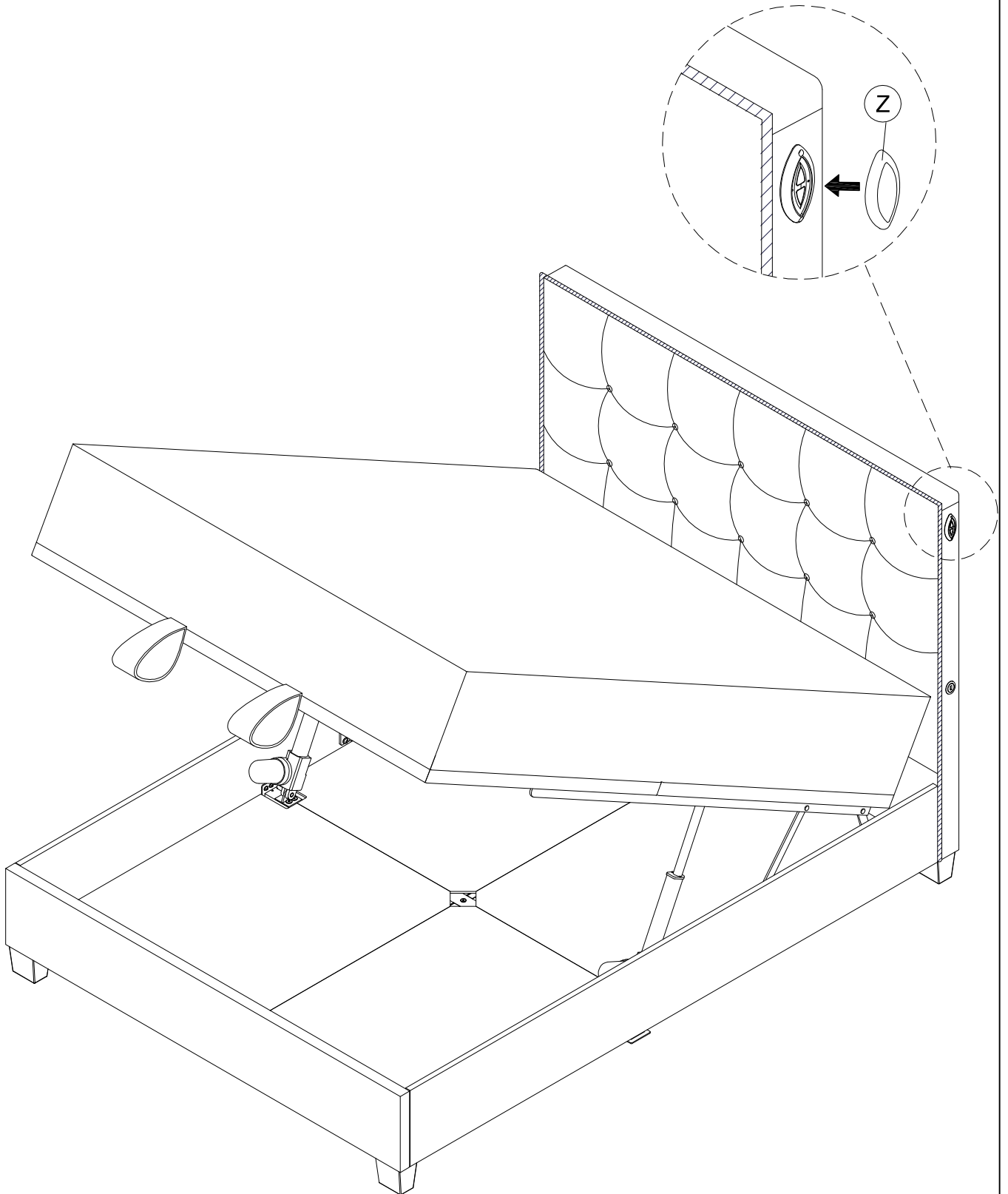


### CAUTION

THE WARRANTY WILL BE VOID IF SITTING OR LAYING ON THE BED  
WHILST THE LIFT UP BED IS IN OPERATION (LIFT UP OR LOWER DOWN).

## Step 18

- Attach the wired remote control cap (Z) to the head end. Press & click it as shown.



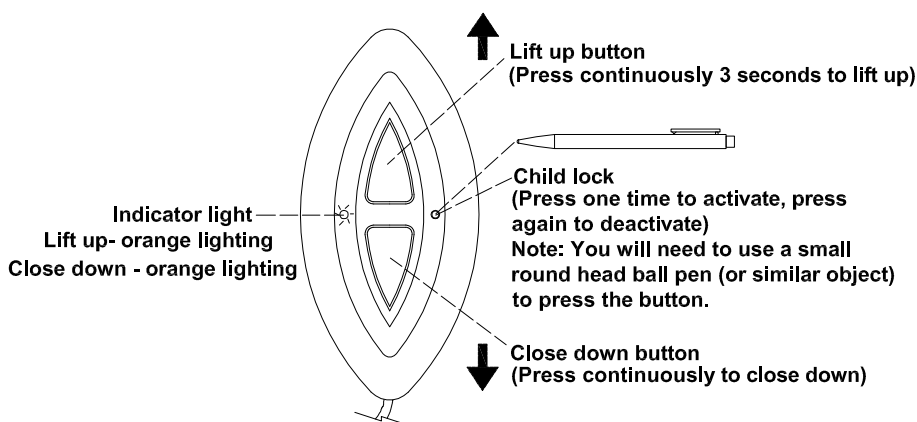
## Step 19

### Operating functions and instruction. Lift up / close down button - control box

- When the mains power is 'on', you will hear a beep notification sound & the indicator will light (Green).

### LIFT UP / CLOSE DOWN BUTTON

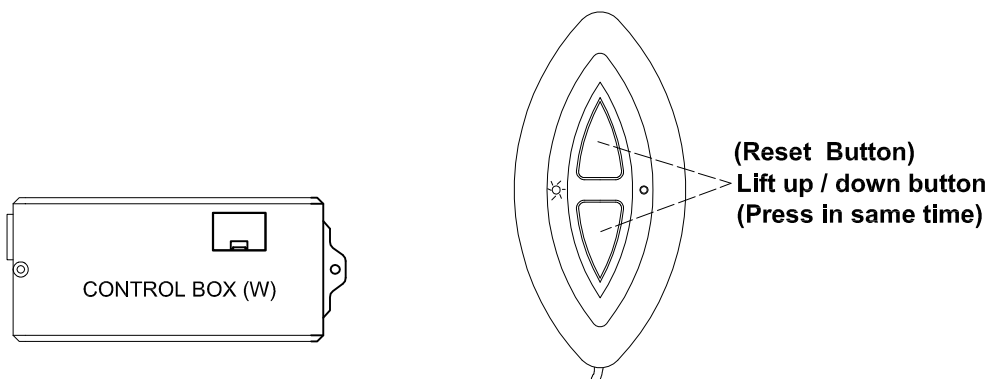
- When the lift up button is pressed the indicator light (Orange) will be activated. **Continually press for 3 seconds** then release. The bed base will then lift / open all the way automatically.
- When closing the base - for safety precautions, the down / close button will need to be pressed continuously, until fully closed.
- Safety feature - **Child lock button** is located on the **Right** hand side of indicator light. To use this function, take a small ended object & press in one time. Press again to deactivate it. When the child lock is activated, the lift up / close down operation will not function. When the child lock is deactivated, the lift up / close down button will operate again.



### LIFT UP / CLOSE DOWN BUTTON

### CONTROL BOX

- Controls the operation and built in overload limiter functions, which has audio beeps.
- For linear actuator safety purposes, when the overload is triggered, you will hear a continuous beep signal - at the same time the linear actuator will stop operating . Do not continue to press the lift up button when overload is triggered. Once the overload limiter has been engaged, the control box will need to be reset. To do this, continuously press down button on the wired control until the base is fully closed.
- In the event a series of staggered Audio Beeps are observed, this suggests, at least one of the lift actuators is not properly connected to control box.
- Reset function :- To reset the system to the initial start up stage, both the up and down function buttons must be pressed together at the same time for at least 8 seconds until the 'beep' notification sound is heard.



# TROUBLE SHOOTING

- The following table will help you detect and eliminate the common faults/errors of the apparatus.
- All of these faults/errors may only be investigated and rectified by specialists with appropriate qualifications or specially trained personnel'

Issue/Fault	Possible causes	Recommended actions
The storage lift 'open/close frame' is not operating when continually pressing the lift up / down control button	<p>1: Function cables are loose or connected incorrectly.</p> <p>2:The child lock is engaged. See diagram step-20 (page 23 of 25).</p>	1: Check all cables are in their correct positions and are fully connected. (see assembly instruction page 13 of 25)
The storage lift function makes audio bleeps when using the lift up / down control button	<p>1: Overload limiter is employed - mattress weight maybe above the recommended 110 kg.</p> <p>2:Overload limiter is employed - the open / close function is being miss-used.</p> <p>3:Lifting actuators are not connecting to the control box properly. See page 13 (step 9) U &amp; U.</p>	<p>1: Remove the mattress from the bed frame and test the open close function. If working without the mattress - check the manufacturers mattress weight.</p> <p>2: Ensure the mattress has no additional weight loads other than bedding items.</p> <p>3: Continually press the lift up/down button together until the lift base is fully closed. After the system is reset, then press the lift up button again.</p> <p>4: If the system still not working then please contact the technical support.</p>
The storage lift up speed is slow then usual	1: This suggest the motors are being over worked and are protecting themselves. (See below Duty Cycle)	1: Allow the system to rest for at least 30 minutes.

## SPECIFICATION

INPUT	AC100~230V 50/60Hz
OUT PUT	29V ---- 2A
POWER CONSUMPTION UNDER RATED LOAD	75 W
MAX LOAD	MAX 3000N
DUTY CYCLE	MAX 10% ( INTERMITTENT DUTY 2 MIN. ON /18min. OFF)
ACTUATOR STROKE	MAX. 215mm
ACTUATOR SPEED	9mm/s off
OVERLOAD LIMITER	4.5 amps

