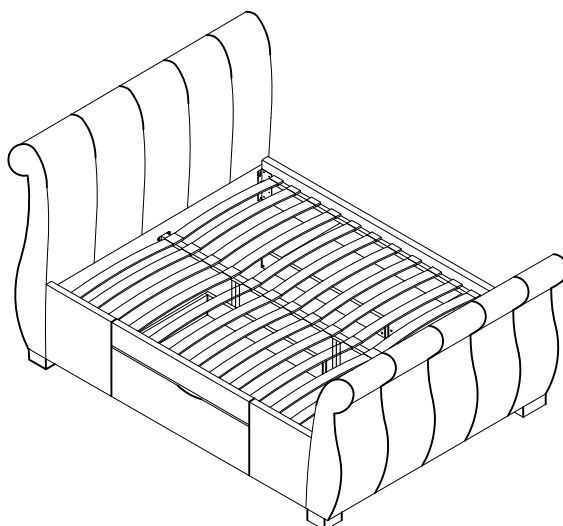


# ALABAMA BEDSTEAD WITH DRAWER ASSEMBLY INSTRUCTIONS

Thank you for purchasing the ALABAMA BEDSTEAD WITH DRAWER. Please read the instructions carefully to ensure safe operation of the product.



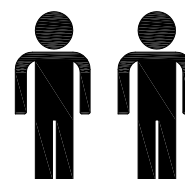
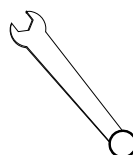
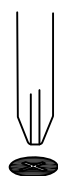
4ft6 Double    Colours: Black, Brown  
5ft King        Colours: Black, Brown

PLEASE READ this sheet prior to assembly to familiarise yourself with the various stages of construction.

Carefully open the pack supplied and check the contents against the parts and fittings check list. Do not destroy any of the packaging until you are certain that you have all the necessary parts for the assembly.

CAUTION: There are small components used in the construction of this unit. These loose items should be kept away from young children whilst assembling your unit to avoid the danger of choking hazards.

## Tools Required



2 Person Build

# ALABAMA BEDSTEAD WITH DRAWER

## ASSEMBLY INSTRUCTIONS

IMPORTANT - READ CAREFULLY - RETAIN THESE INSTRUCTIONS  
FOR FUTURE REFERENCE.

### INFORMATION

- This product is intended for a maximum person's weight of 80kg per side. Do not exceed this weight.
- Due to the size of this product we recommend that it is assembled in the room intended for use.
- When you are ready to start, make sure that you have the right tools, plenty of space and a clean, dry area for assembly.
- Unwrap all packaging materials and place the components on top of the carton box or on a clean floor to prevent it from scratching.
- Check the pack and make sure you have all the parts listed.
- Ensure that this product is fully assembled and secured as illustrated before use.
- Check all screws or bolts are tightened and inspect regularly.
- This product should only be used on firm, level ground.
- Please dismantle for transportation
- Tools not included.

### WARNINGS

- Keep small parts out of reach of children.
- Make sure the legs remain in contact with the ground.
- Do not use power tools to construct this product.
- Do not tighten screws until fully assembled.
- Do not over tighten screws or bolts.
- Do not use this product if parts are missing, damaged or worn.
- Do not stand on the product.
- Do not overload the drawers as this can cause damage

### CARE INFORMATION

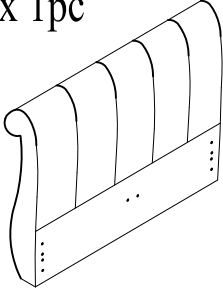
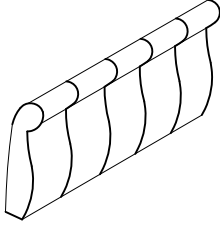
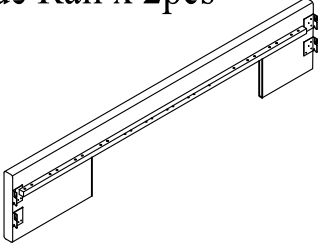
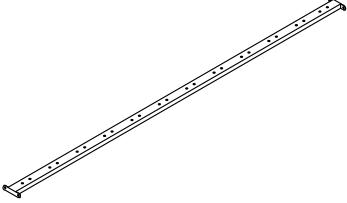
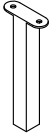


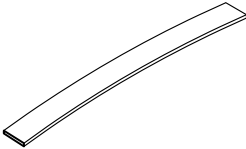
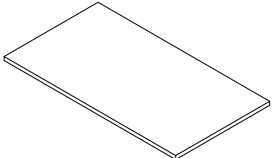
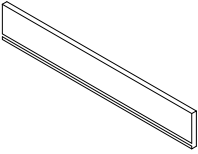
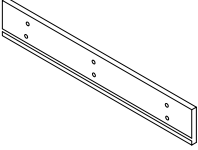
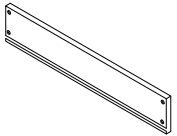
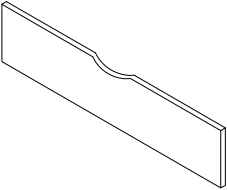
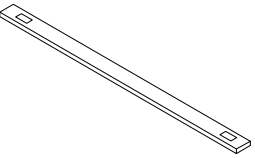
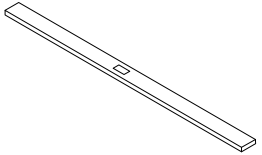
- Never use scourers, abrasives or chemical cleaners.
- To clean wipe with a sponge and warm soapy water. Do not use solvent based cleaners or detergents as they can bleach or damage the product.

# ALABAMA BEDSTEAD WITH DRAWER ASSEMBLY INSTRUCTIONS

## Parts and Fittings Checklist


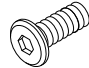

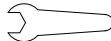



Please check the pack contents before assembling this product. If any components are missing, please contact your retailer. The fittings pack contains small items that should be kept away from small children.

### Parts

<p>1. Headboard x 1pc</p> 	<p>2. Footboard x 1pc</p> 	<p>3. Side Rail x 2pcs</p> 
<p>4. Centre Support Bar x 1pc</p> 	<p>5. Support Leg x 2pcs</p> 	<p>6. Leg x 4pcs</p> 
<p>7. Adjustable Support Leg x 4pcs</p> 	<p>8. Slats x 4'6: 26PCS 5'30PCS</p> 	<p>9. Drawer Bottom Panel x 2pcs</p> 
<p>10. Drawer Back Panel x 2pcs</p> 	<p>11. Drawer Front Panel x 2pcs</p> 	<p>12. Drawer Side Panel x 4pcs</p> 
<p>13. Decorative Drawer Front Panel x 2pcs</p> 	<p>14. Bottom Support Rail x 4pcs</p> 	<p>15. Bottom Support Middle Rail x 4pcs</p> 

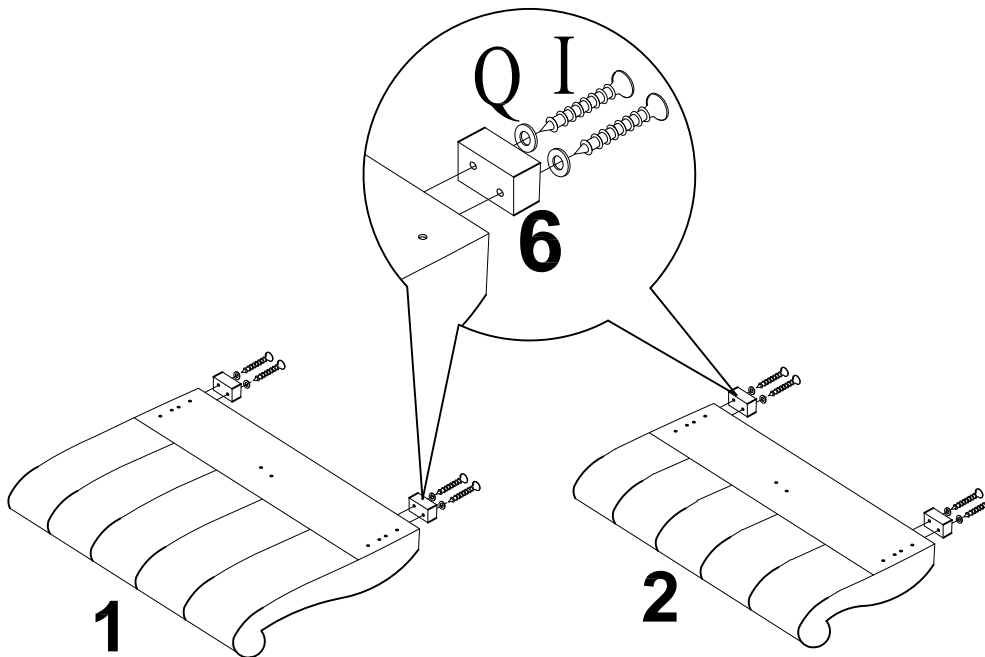
# ALABAMA BEDSTEAD WITH DRAWER ASSEMBLY INSTRUCTIONS

## Fittings

Code	Item		Quantity
A	Bolt M8 x 30mm		20
B	Bolt M8 x 40mm		4
C	Bolt M8 x 45mm		8
D	Spring Washer $\phi 13$ x 8		16
E	Flat Washer $\phi 17$ x 8		24
F	Foot		6
G	Nut M8 x 5		4
H	Flat Washer $\phi 22$ x 8		4
I	CSK Screw M5 x 50mm (golden)		8
J	Spanner		1
K	Allen Key M5		1
L	CSK Screw M5 x 50mm (silver)		32
M	Nut		32
N	Wheels		12
O	CSK Screw M4 x 20mm		48
P	CSK Screw M4 x 30mm		16
Q	Flat Washer $\phi 16$ x 6		8
R	Single Plastic Cap		4': 26 5':30
S	Double Plastic Cap		4': 13 5':15

# ALABAMA BEDSTEAD WITH DRAWER ASSEMBLY INSTRUCTIONS

## STEP 1



### PARTS REQUIRED

 I x 8

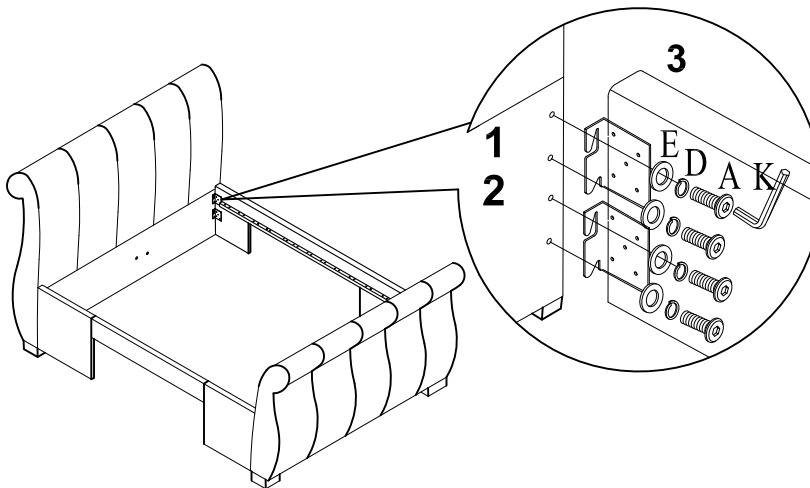
 Q x 8

1.Headboard x 1pc

2.Footboard x 1pc

6.Leg x 4pcs

## STEP 2



### PARTS REQUIRED

 E x16

 D x 16

 A x 16

 K x 1

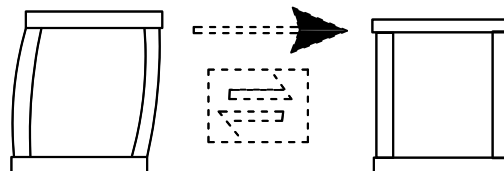
1.Headboard x 1pc

2.Footboard x 1pc

3.Side Rail x 2pcs

MAKE CERTAIN THE BED IS  
SQUARE AS SHOWN.

Note: THEN tighten all bolts 100% using allen key

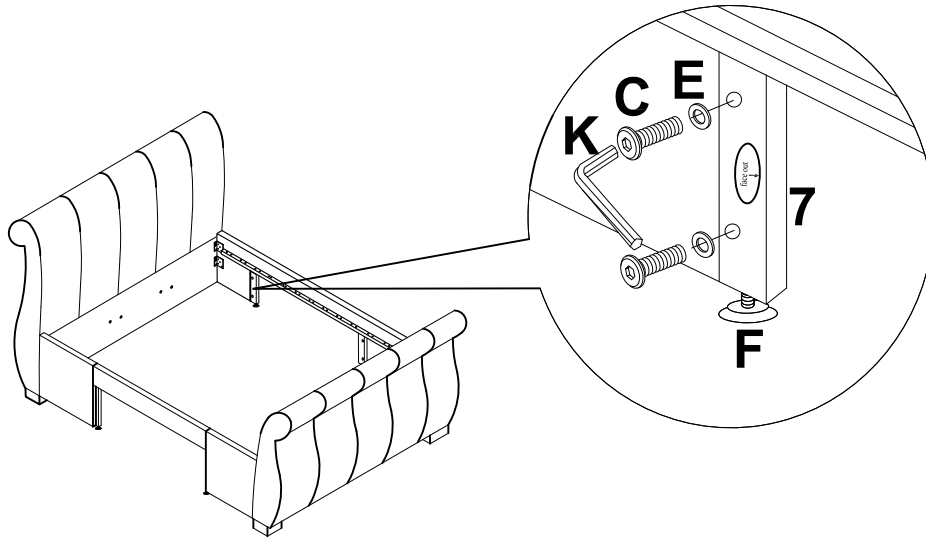


PI438





Page 5 of 9

# ALABAMA BEDSTEAD WITH DRAWER ASSEMBLY INSTRUCTIONS

## STEP 3

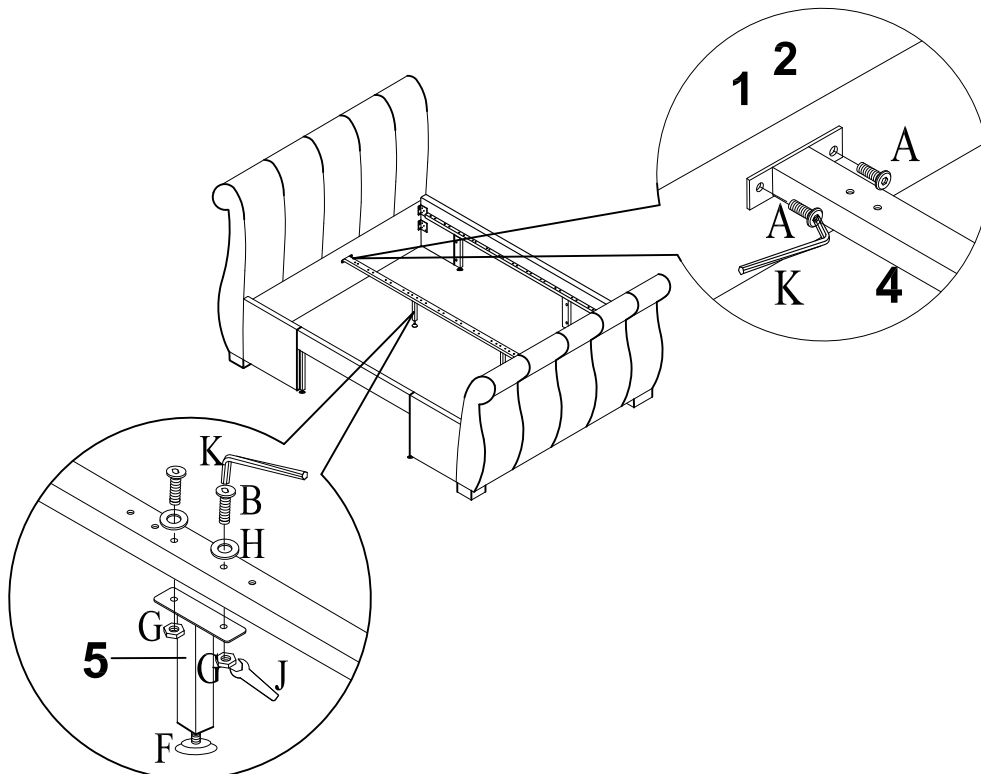


### PARTS REQUIRED


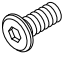





-  E x 8
-  C x 8
-  K x 1
-  F x 4

7.Adjustable Support Leg x 4pcs

## STEP 4



### PARTS REQUIRED

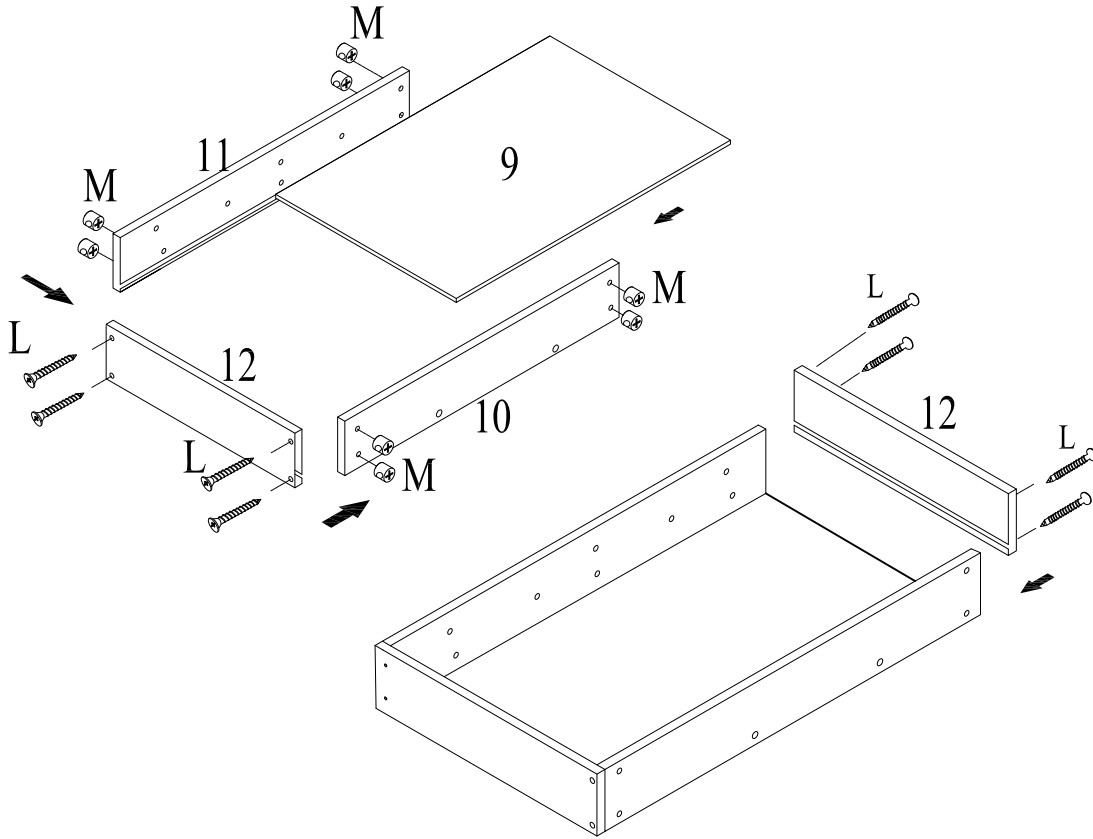
-  A x 4
-  B x 4
-  H x 4
-  G x 4
-  K x 1
-  J x 1
-  F x 2

4.Center Support Bar x 1pc  
5.Support Leg x 2pcs

# ALABAMA BEDSTEAD WITH DRAWER

## ASSEMBLY INSTRUCTIONS

### STEP 5

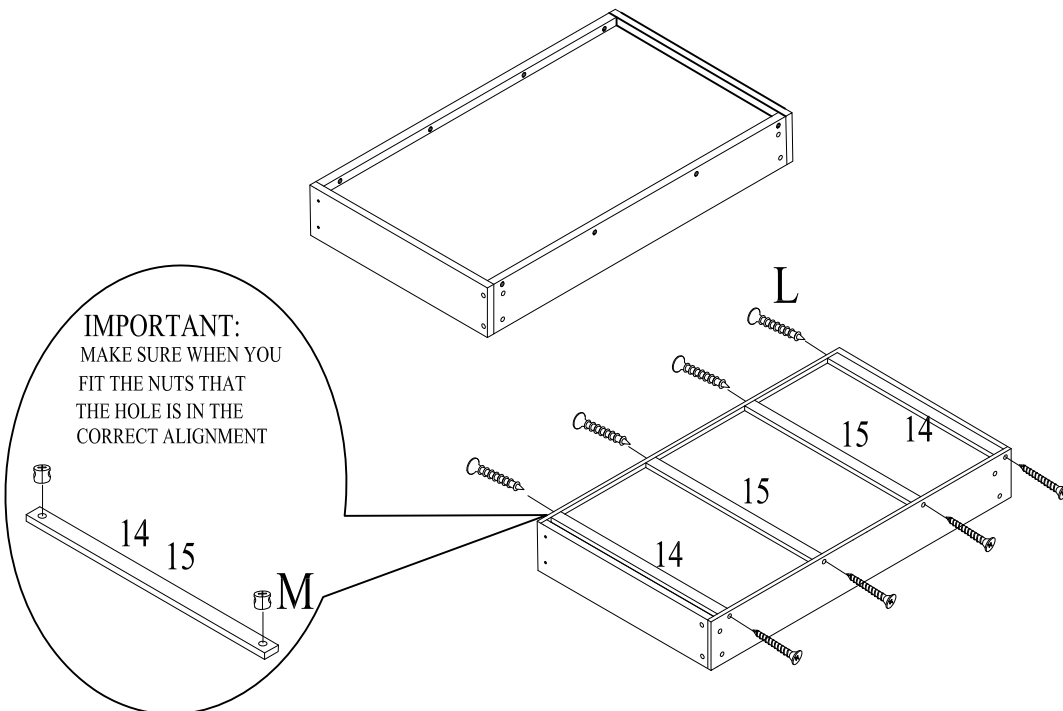


**PARTS REQUIRED**



- 9. Drawer Bottom Panel x 2pc
- 10. Drawer Back Panel x 2pcs
- 11. Drawer Front Panel x 2pcs
- 12. Drawer Side Panel x 4pcs

### STEP 6



**PARTS REQUIRED**

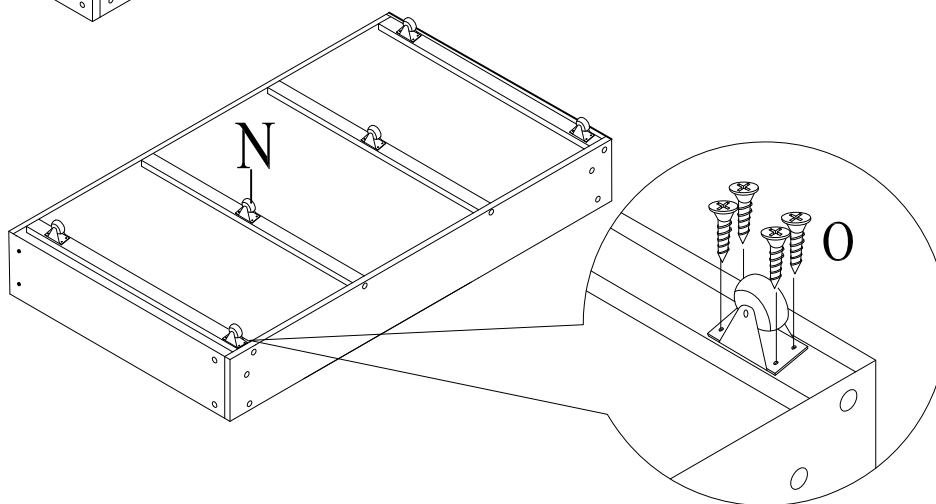
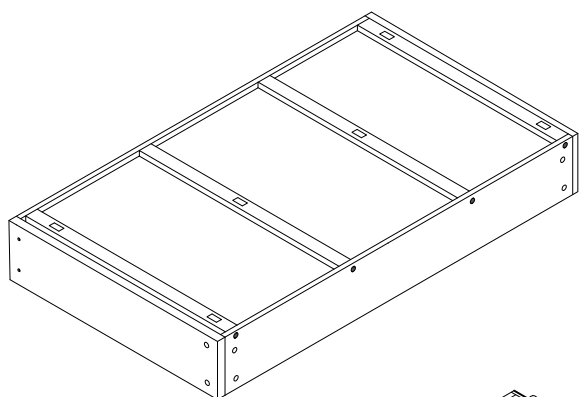


- 14. Bottom Support Rail x 4pcs
- 15. Bottom Support Middle Rail x 4pcs

# ALABAMA BEDSTEAD WITH DRAWER

## ASSEMBLY INSTRUCTIONS

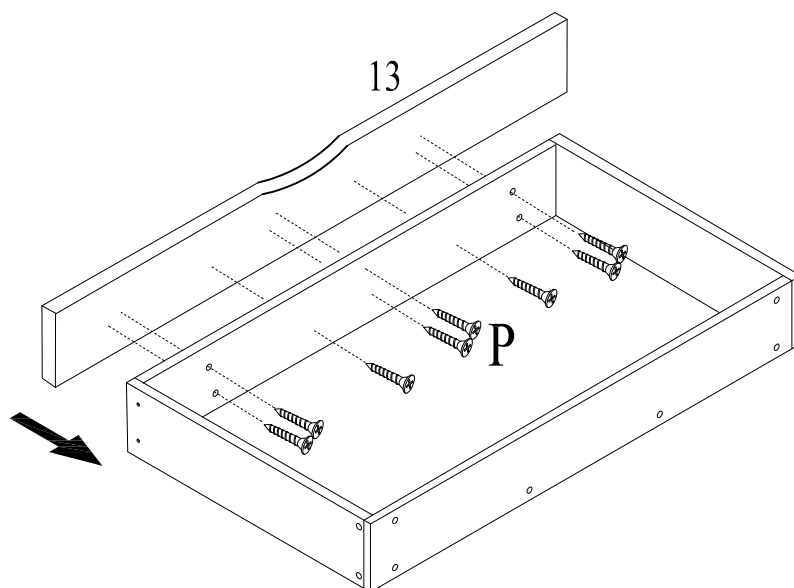
### STEP 7



#### PARTS REQUIRED



### STEP 8



#### PARTS REQUIRED

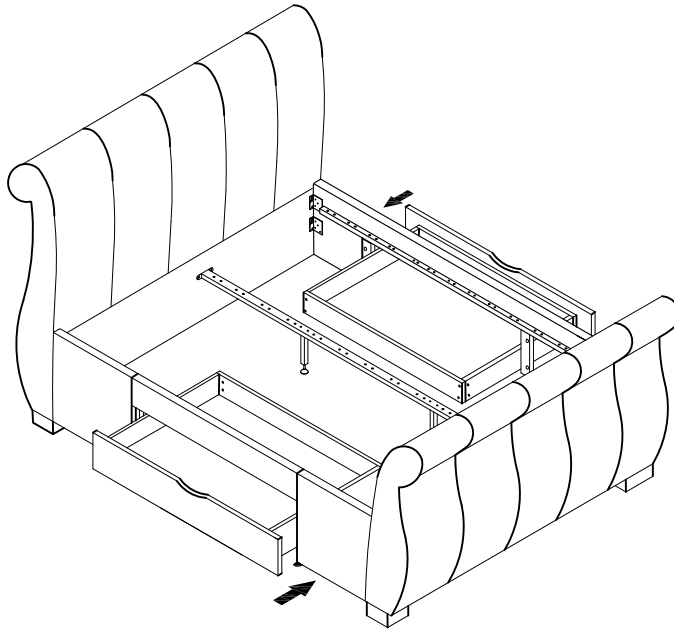


13. Decorative Drawer  
Front Panel x 2pcs



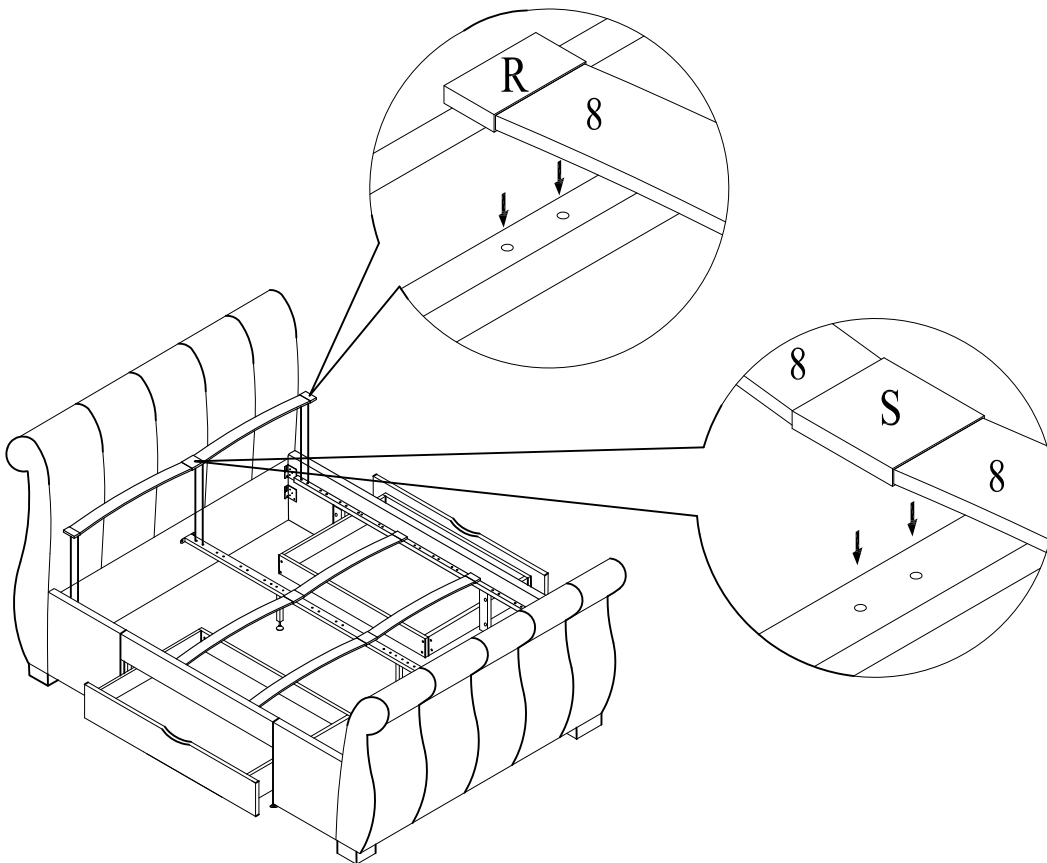
# ALABAMA BEDSTEAD WITH DRAWER ASSEMBLY INSTRUCTIONS

## STEP 9



PARTS REQUIRED

## STEP 10



PARTS REQUIRED



R x 4'6": 26PCS  
5':30PCS



S x 4'6": 13PCS  
5':15PCS

8.Slats x 4'6":26PCS  
5':30PCS