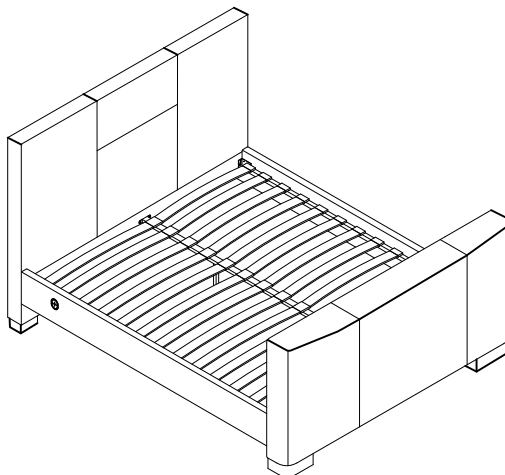


NEWARK TV BED ASSEMBLY INSTRUCTIONS

Thank you for purchasing the NEWARK TV BED. Please read the instructions carefully to ensure safe operation of the product.



Size: 4'6 Double 2190mm x 1445mm x 1090mm

5' King 2290mm x 1595mm x 1090mm

Colour: BLACK / BROWN / WHITE

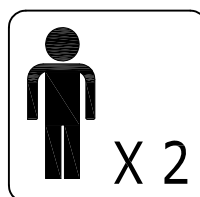
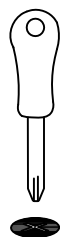
Recommended size and weight of TV to fit to bracket (24'-32' /30kgs)

PLEASE READ this sheet prior to assembly to familiarise yourself with the various stages of construction.

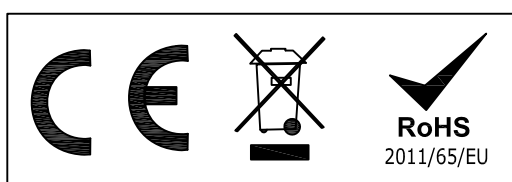
Carefully open the pack supplied and check the contents against the parts and fittings check list. Do not destroy any of the packaging until you are certain that you have all the necessary parts for the assembly.

CAUTION: There are small components used in the construction of this unit. These loose items should be kept away from young children whilst assembling your unit to avoid the danger of choking hazards.

Tools Required



1.5 Hour
Set Up



NEWARK TV BED ASSEMBLY INSTRUCTIONS

IMPORTANT - READ CAREFULLY - RETAIN THESE INSTRUCTIONS FOR FUTURE REFERENCE.

INFORMATION

- This product is intended for a maximum person's weight of 100kg per side. Do not exceed this weight.
- This product complies with the essential requirements of the EMC Directive 2004/108/EC and Low Voltage Directive 2006/95/EC
- Children (under the age of 13) should be supervised to ensure that they do not play with the appliance
- Pay particular attention when children or animals are present to ensure that no accidental entrapment occurs whilst operating this product.
- Incorrect installation could lead to injury, take care following instructions.
- Due to the size of this product we recommend that it is assembled in the room intended for use.
- When you are ready to start, make sure that you have the right tools, plenty of space and a clean, dry area for assembly.
- Unwrap all packaging materials and place the components on top of the carton box or on a clean floor to prevent it from scratching.
- Check the pack and make sure you have all the parts listed.
- Ensure that this product is fully assembled and secured as illustrated before use.
- Check all screws or bolts are tightened and inspect regularly.
- This product should only be used on firm, level ground.
- Dismantle for transportation.
- Only use recommended accessories.
- Tools not included.

WARNINGS

- DO make sure the legs remain in contact with the ground.
- DO keep small parts out of reach of children.
- Do not use power tools to construct this product.
- Do not tighten screws until fully assembled.
- Do not over tighten screws or bolts.
- Do not use this product if parts are missing, damaged or worn.
- Do not stand on the product.
- DO NOT expose this product to dripping or splashing, rain or areas with heavy moisture.
- DO NOT place any objects filled with liquids, such as vases, on the product.
- DO NOT insert foreign objects into the product or attempt to repair this unit by yourself.
- DO NOT place the product in direct sunlight, open flames such as candles or heat, such as radiators. Keep away from temperatures over 35°C.

NEWARK TV BED ASSEMBLY INSTRUCTIONS

CARE INFORMATION

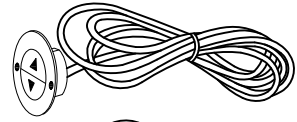
- Never use scourers, abrasives or chemical cleaners
- To clean wipe with a sponge and warm soapy water. Do not use solvent based cleaners or detergents as they can bleach or damage the product

ELECTRICAL COMPONENTS

- Unplug the unit during lightning storms or when unused for long periods of time.
- The unit should be powered off before plugging the product into the power outlet. This unit should be powered off before unplugging the product. Install this unit so that the power cord can be unplugged from the socket immediately if any problems occur.
- In order to prevent injury, never attempt to remove the cover or any other components.
- This appliance is not intended for use by persons (including children) with reduced physical, sensory or mental capabilities, or lack of experience and knowledge, unless they have been given supervision or instruction concerning the use of the appliance by a person responsible for their safety.
- Take care when adjusting positions to avoid trapping or pinching of body parts
- Power cord – This item is only to be plugged into an AC 110V ~ 240V power outlet.

NEWARK TV BED ASSEMBLY INSTRUCTIONS

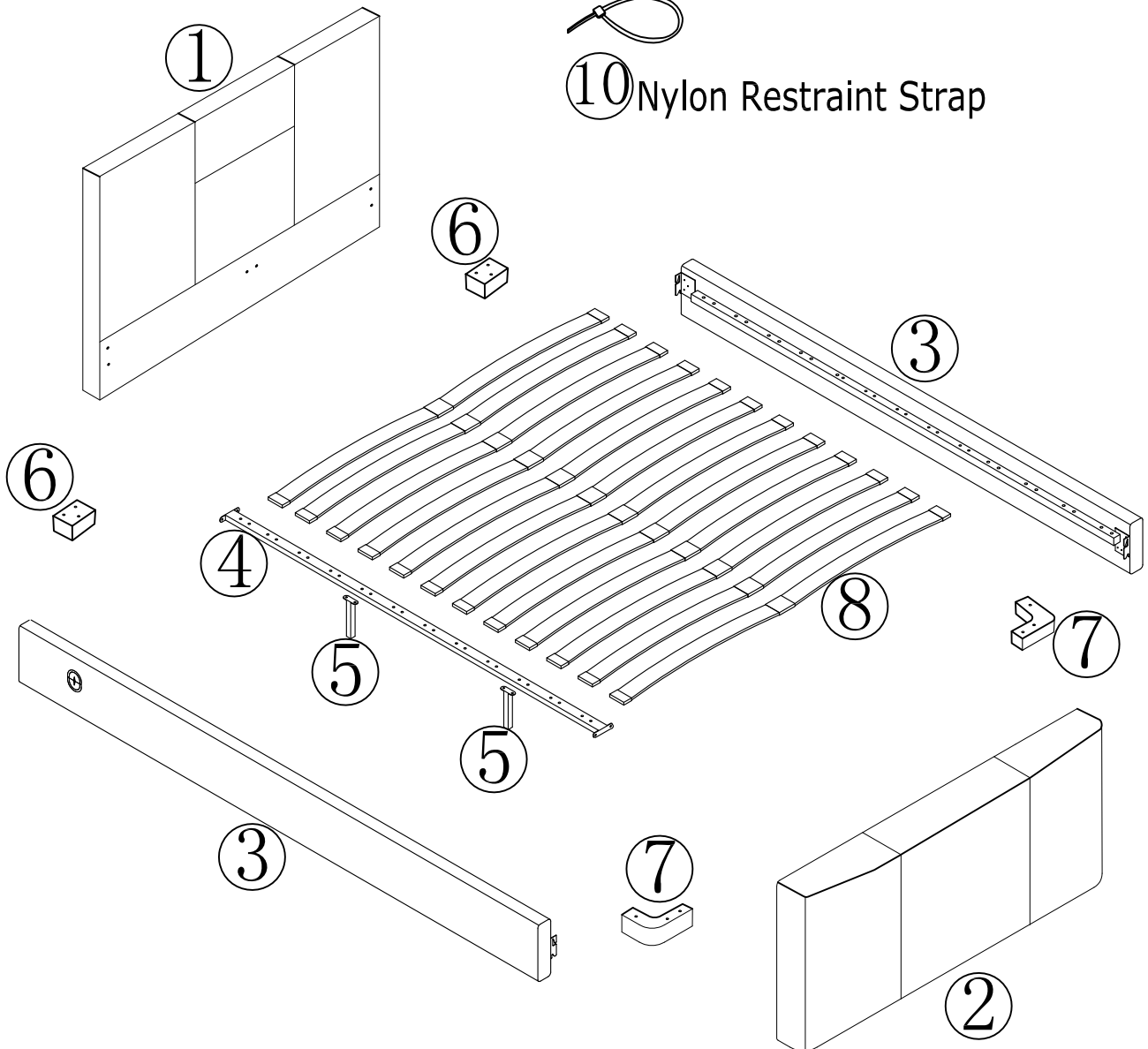
Please check the pack contents before assembling the product. If any components are missing, please contact your retailer. The fittings pack contains small items that should be kept away from small children.



⑨ Button

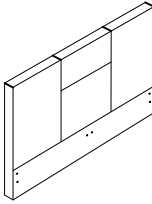
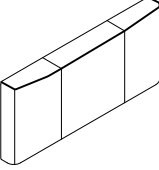
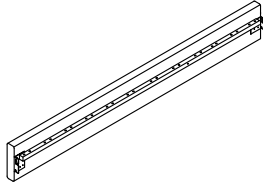
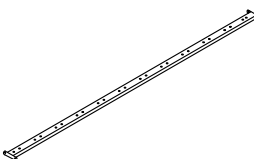



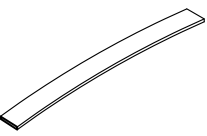
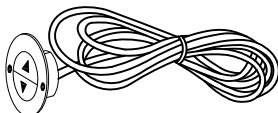



⑩ Nylon Restraint Strap



NEWARK TV BED ASSEMBLY INSTRUCTIONS

Parts

1		2		3	
HEADBOARD 1PC Carton No: 1 of 3		FOOTBOARD 1PC Carton No: 2 of 3		SIDERAIL (Left & Right) 2PCS Carton No: 3 of 3	
4		5		6	
CENTRE SUPPORT BAR 1PC Carton No: 3 of 3		SUPPORT LEG 2PCS Carton No: 2 of 3		HEADBOARD LEG 2PCS Carton No: 2 of 3	
7		8		9	
FOOTBOARD LEG 2PCS Carton No: 2 of 3		SLATS 4'6": 24PCS / 5':26PCS Carton No: 1 of 3		BUTTON 2PCS Carton No: 2 of 3	
10					
NYLON RESTRAINT STRAP 6PCS Carton No: 2 of 3					

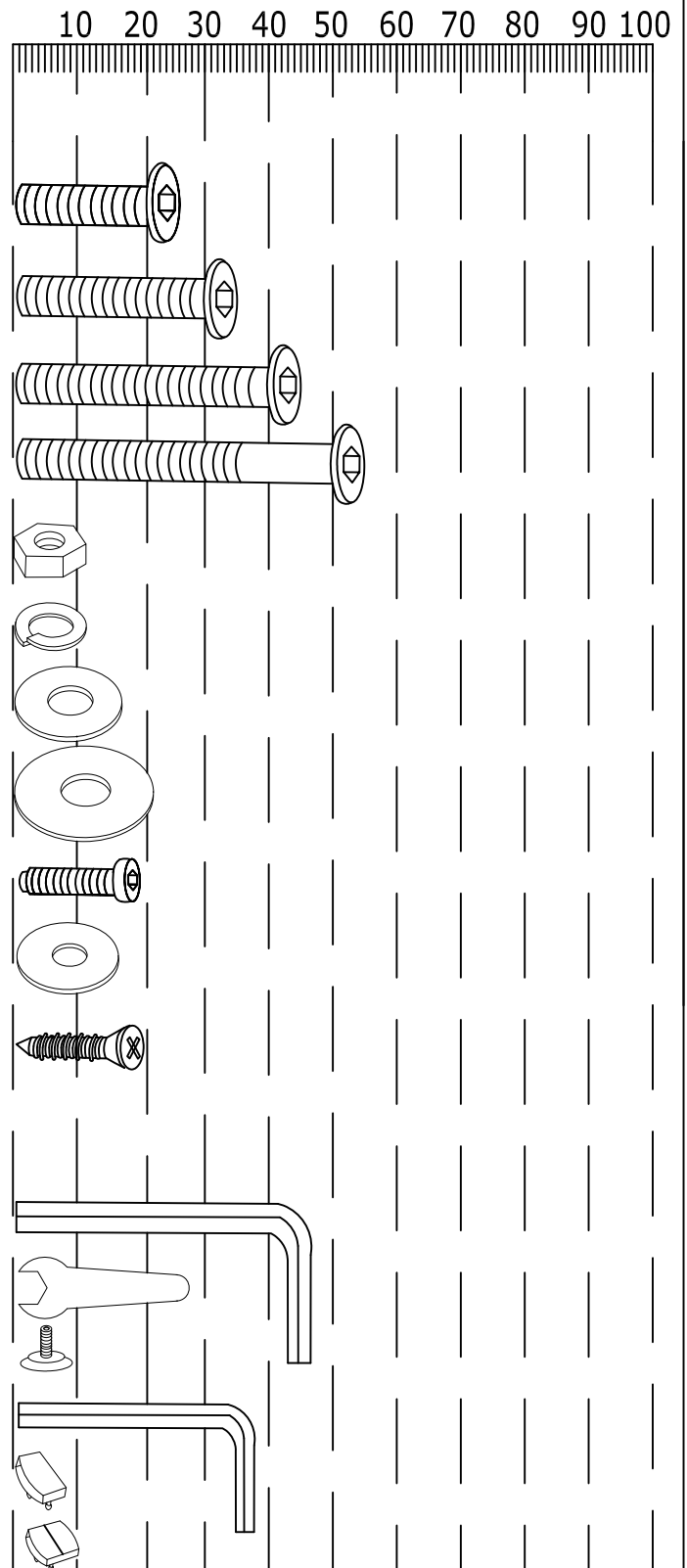
NEWARK TV BED ASSEMBLY INSTRUCTIONS

Fittings (to scale)

Ref	Dimenslons	Qty
A	Bolt - M8 x 20	2
B	Bolt - M8 x 30	10
C	Bolt - M8 x 40	4
D	Bolt - M8 x 50	8
E	Nut - M8	4
F	Washer - $\phi 8 \times 13$	8
G	Washer - $\phi 8 \times 17$	8
K	Washer - $\phi 8 \times 22$	12
L	Bolt - M4 x 15	4
M	Washer - $\phi 6 \times 16$	4
O	Screw - M3 x 20	4

(Not to scale)

H	5mm Allen Key	1
I	Spanner	1
J	Foot	2
N	4mm Allen Key	1
P	End Slat Cap	24/26
Q	Centre Slat Cap	12/14



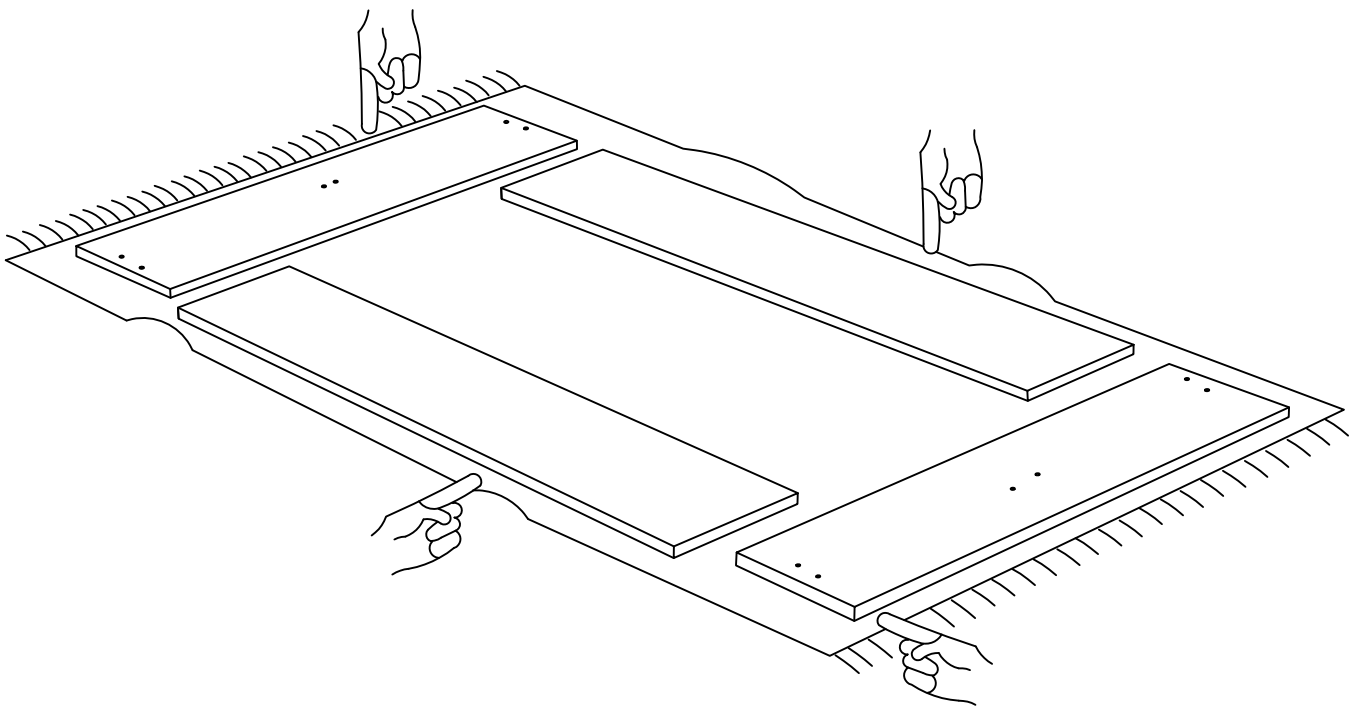
CAUTION: There are many small components used in the construction of this product. Please keep these components away from young children whilst assembling this product.

NEWARK TV BED ASSEMBLY INSTRUCTIONS

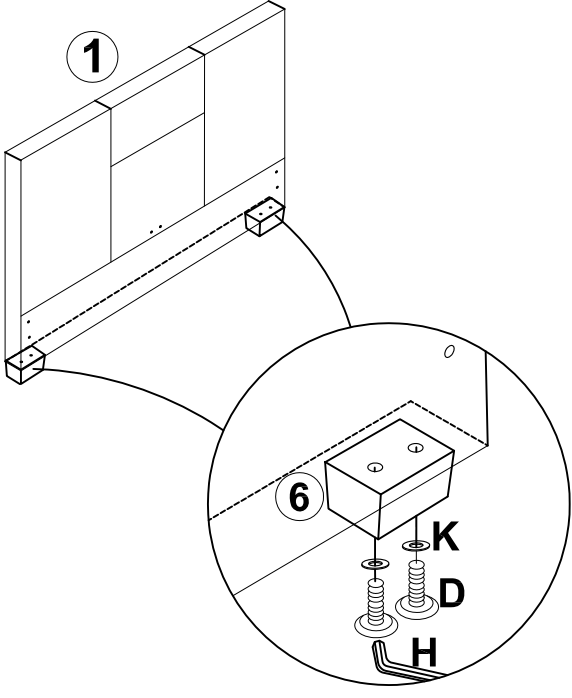
Layout Parts on Soft Surface

Lay out all 4 sides on a soft surface i.e.Rug.Carpet or Packaging Carton

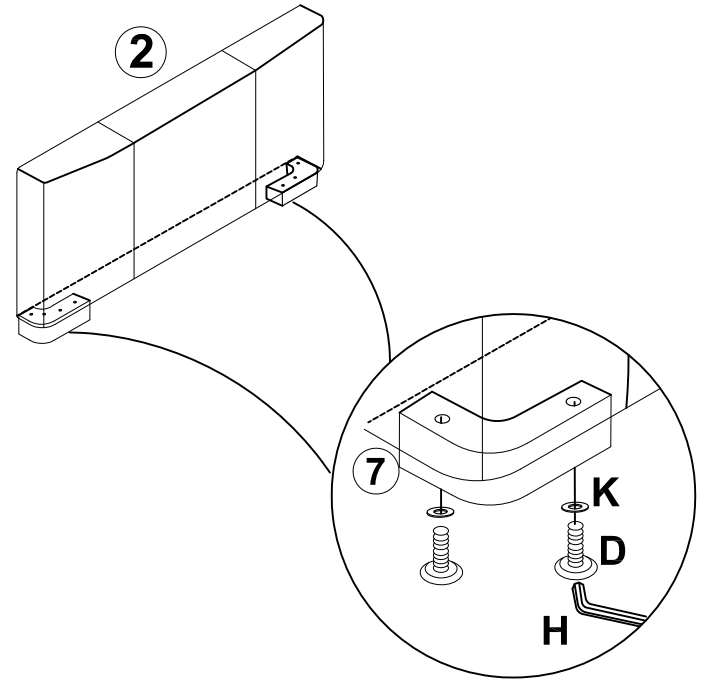
Example image



NEWARK TV BED ASSEMBLY INSTRUCTIONS

STEP 1	PARTS REQUIRED
	<p>K. Flat Washer x 4</p> <p>D. Bolt M8 x 50mm x 4</p> <p>H. Allen Key M5 x 1</p> <p>1. Headboard x 1</p> <p>6. Headboard Leg x 2</p>

PARTS REQUIRED

STEP 2	PARTS REQUIRED
	<p>K. Flat Washer x 4</p> <p>D. Bolt M8 x 50mm x 4</p> <p>H. Allen Key M5 x 1</p> <p>2. Footboard x 1</p> <p>7. Footboard Leg x 2</p>

NEWARK TV BED ASSEMBLY INSTRUCTIONS

STEP 3

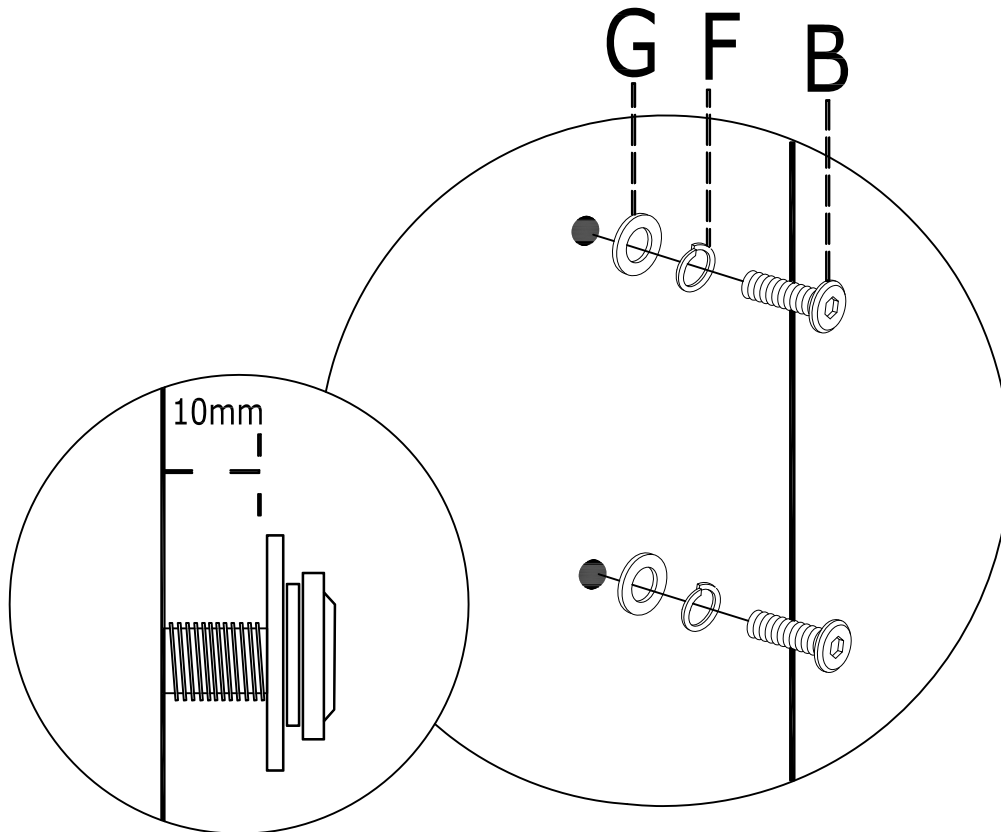
PARTS REQUIRED

Fit the bolts to the headboard and footboard loosly

G. Flat Washer x 8

F. Spring Washer x 8

B. Bolt M8 x 30mm x 8



NEWARK TV BED ASSEMBLY INSTRUCTIONS

STEP 4

PARTS REQUIRED

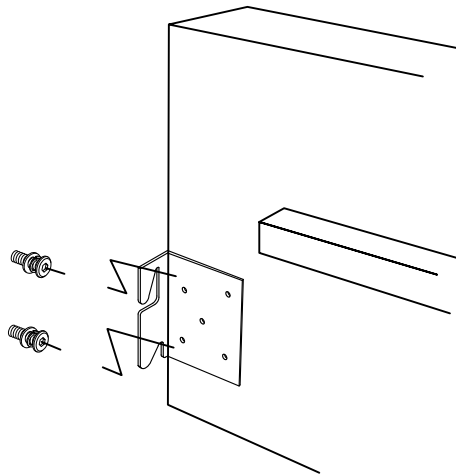
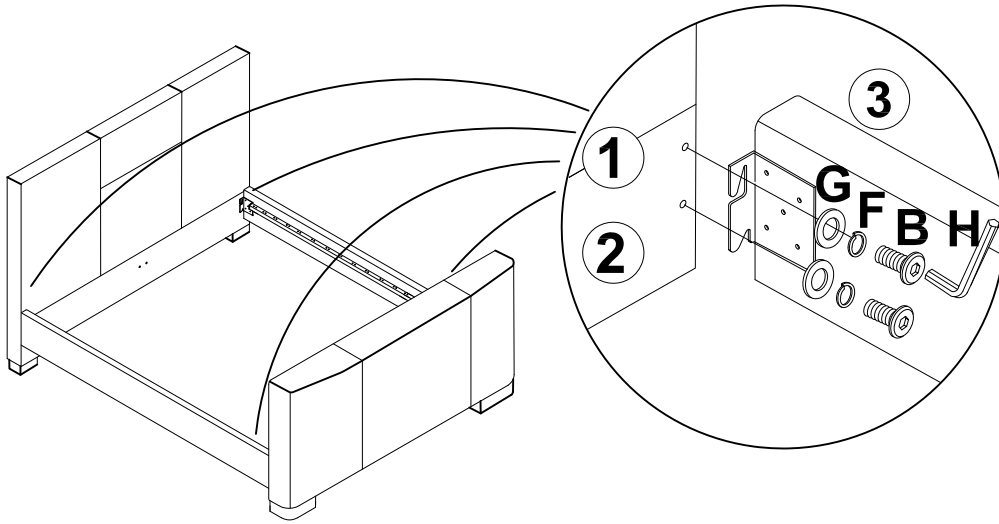
Fit all sides together, slide and hook on the side rails to the bolts on the headboard and footboard and then tighten bolts

H. Allen Key M5 x 1

1. Headboard x 1

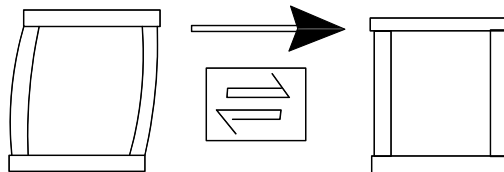
2. Footboard x 1

3. Side Rail x 2



MAKE CERTAIN THE BED IS SQUARE AS SHOWN.

Note: THEN tighten all bolts 100% using allen key



NEWARK TV BED ASSEMBLY INSTRUCTIONS

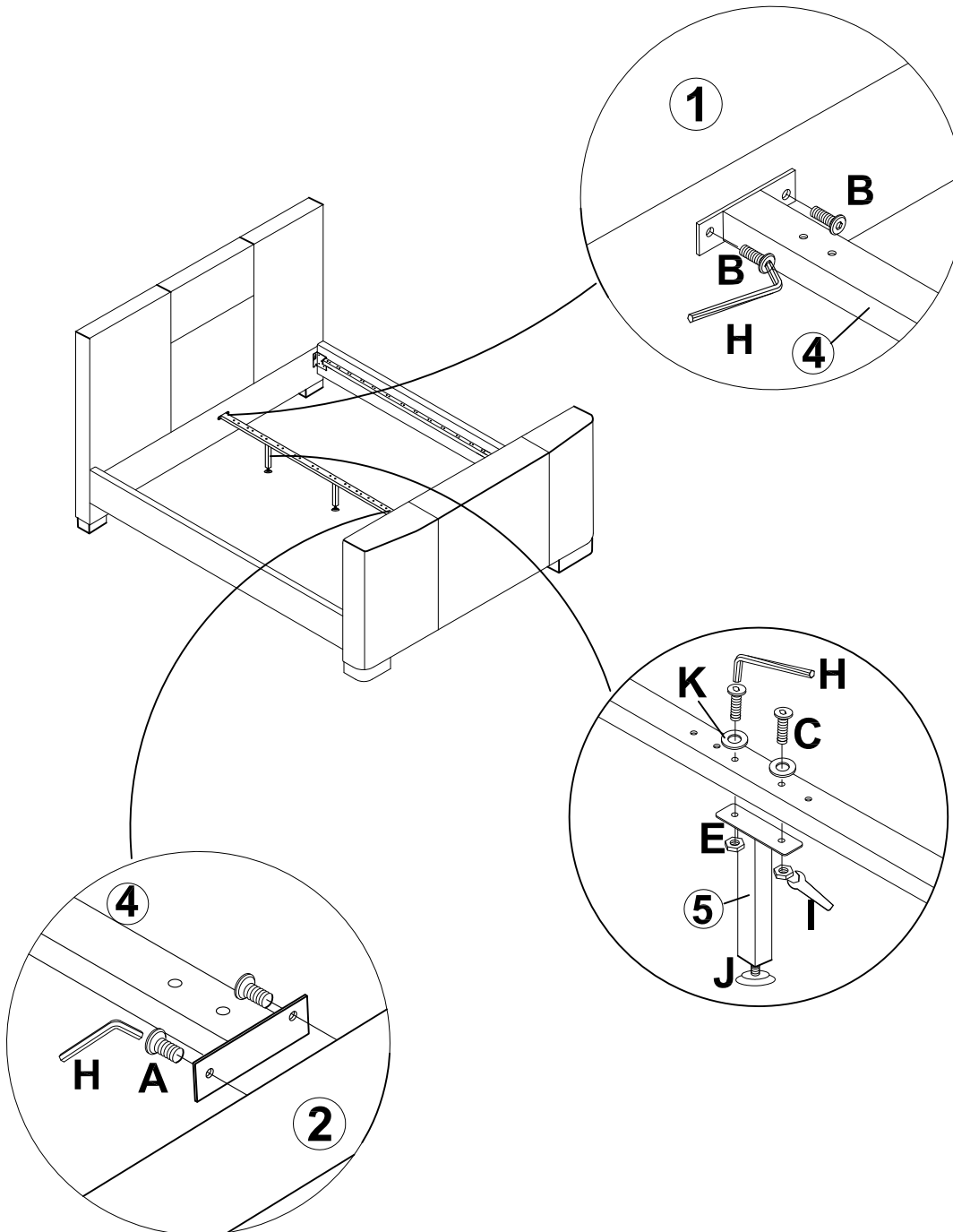
STEP 5

Fit all sides together, slide and hook on the side rails to the bolts on the headboard and footboard and then tighten bolts

PARTS REQUIRED

- A. Bolt M8 x 20mm x 2
- B. Bolt M8 x 30mm x 2
- C. Bolt M8 x 40mm x 4
- K. Flat Washer x 4
- E. Nut M8 x 5 x 4
- J. Foot x 2
- H. Allen Key M5 x 1
- I. Spanner x 1

- 4. Centre Support Bar x 1
- 5. Support Leg x 1



NEWARK TV BED ASSEMBLY INSTRUCTIONS

STEP 6

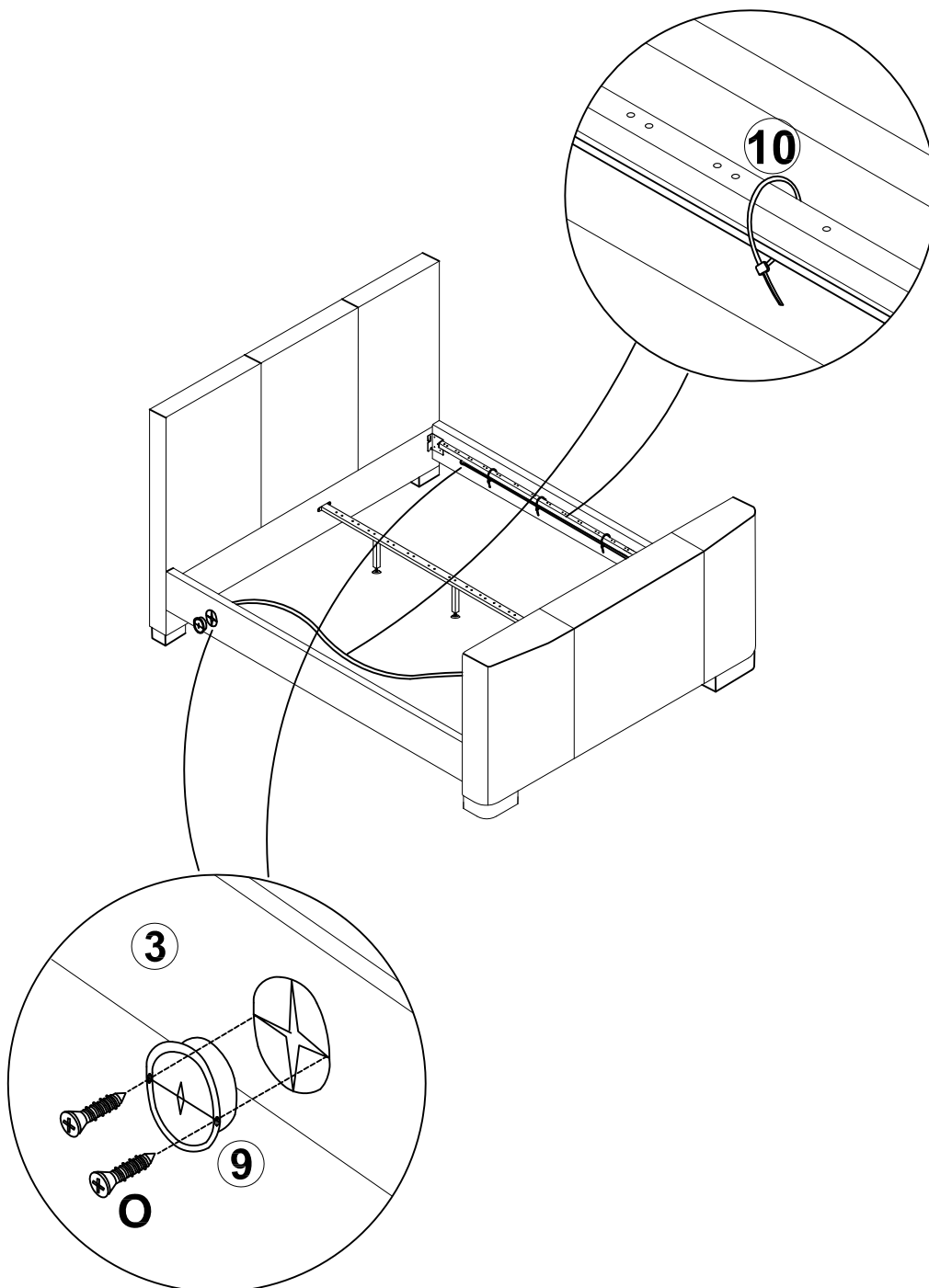
PARTS REQUIRED

请用英文描述： 把按钮装床床侧，再用扎带将线捆绑固定在床侧组立木上。

0. Screw M3 x 20mm x 4

9.Button x 2

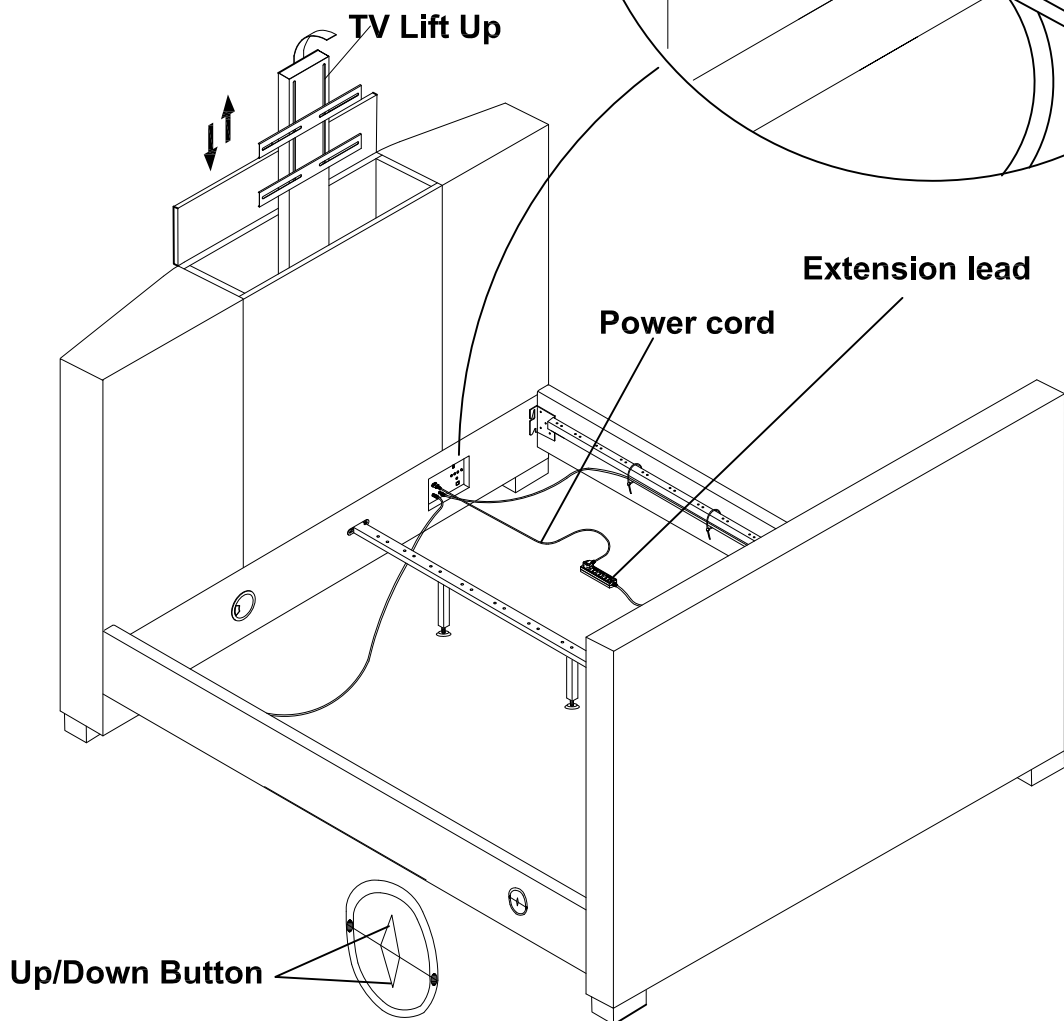
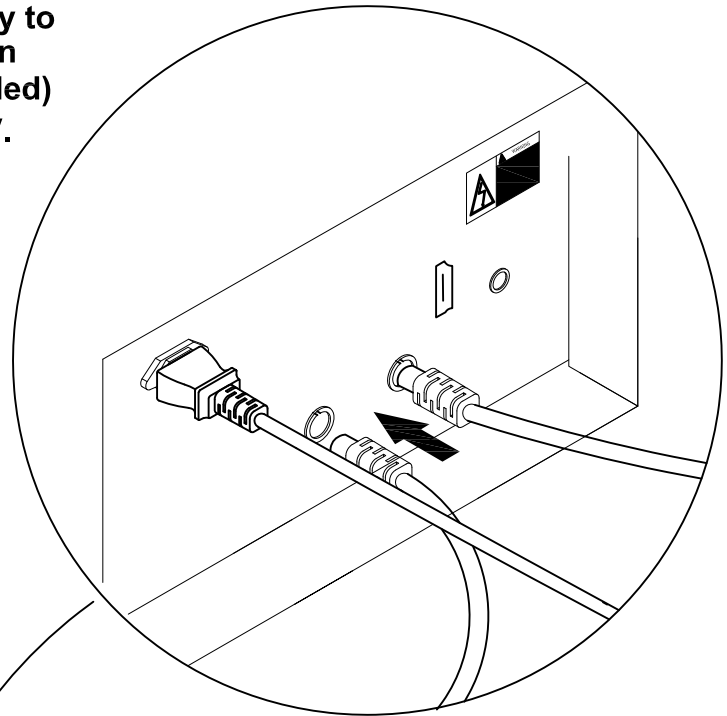
10.Nylon Restraint Strap
x 6



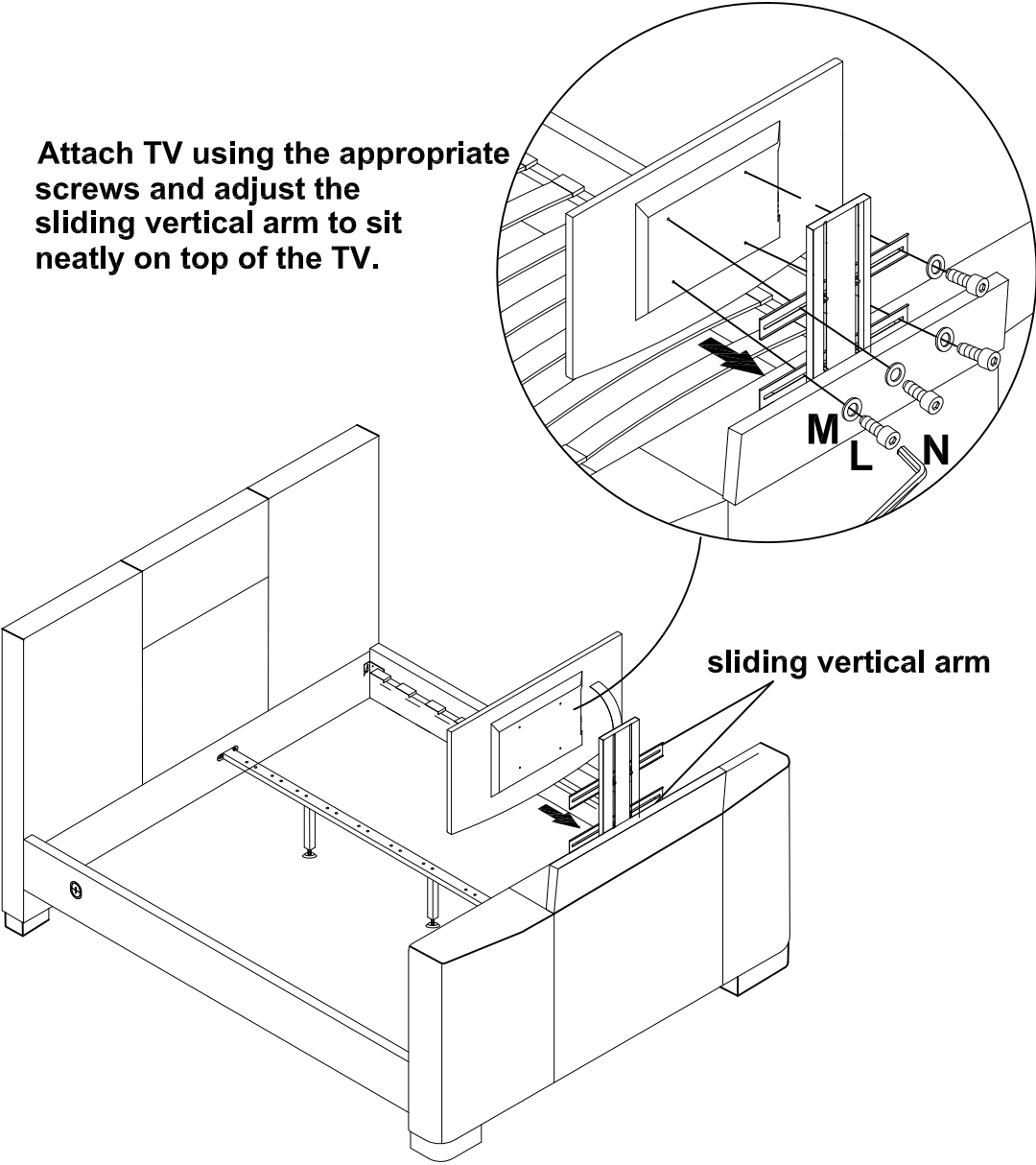
NEWARK TV BED ASSEMBLY INSTRUCTIONS

TV Lift Up

Connect the TV lift up mechanism cable to the control box and it is now ready to connect the control box to the main supply (extension lead might be needed) (already synchronized) to install the TV.

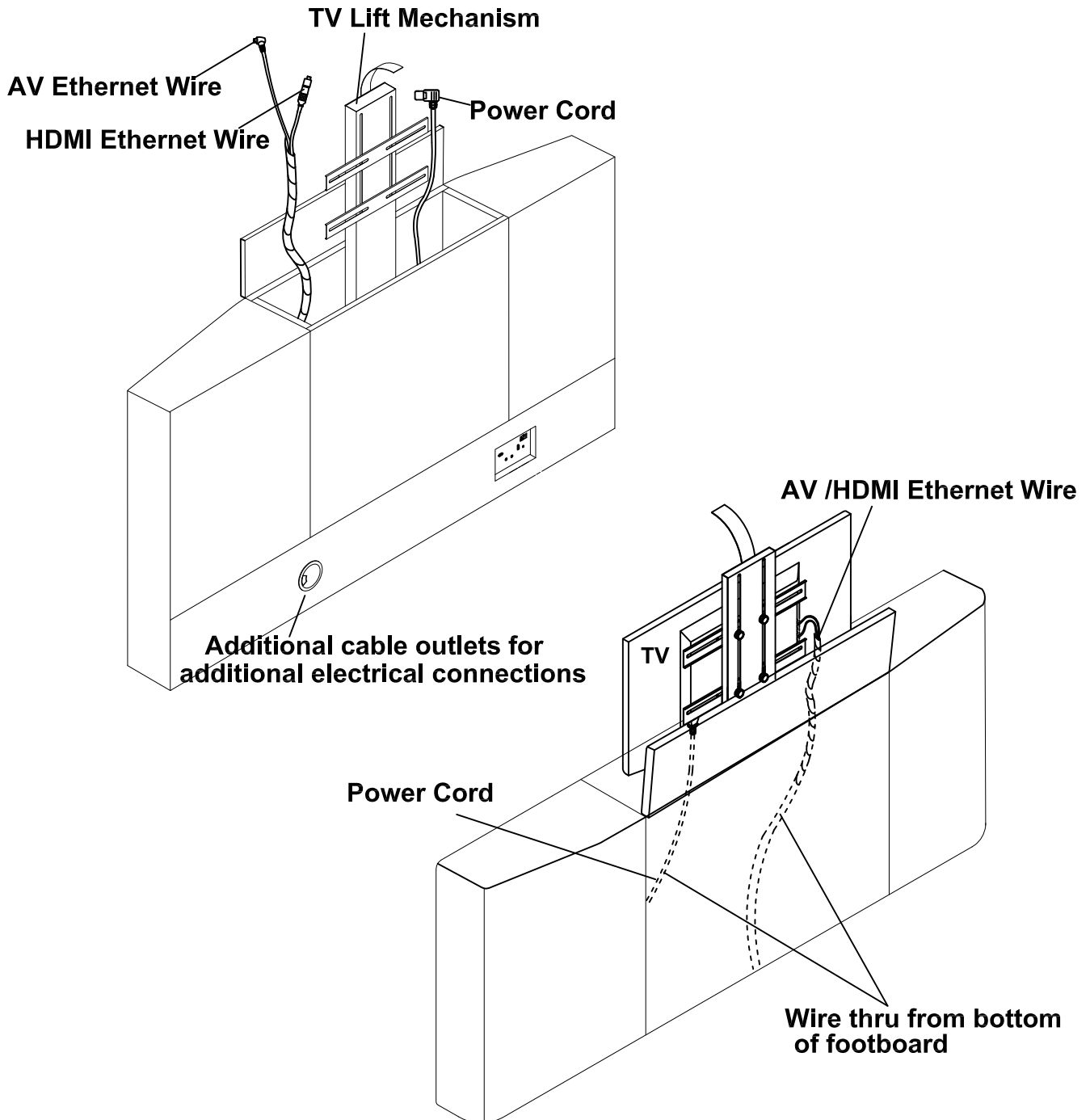


NEWARK TV BED ASSEMBLY INSTRUCTIONS

Installing Your TV	PARTS REQUIRED
<p>Before fitting your TV to bracket, please check your TV dimensions. Maximum dimensions of TV that can be used in this bed:</p> <ul style="list-style-type: none">● Width = 78.5cm● Depth = 6cm● Height = 50cm <p>Attach TV using the appropriate screws and adjust the sliding vertical arm to sit neatly on top of the TV.</p>  <p>IMPORTANT Please ensure the bedframe is secure before fitting the TV. 2 Persons are required for this step.</p>	<p>M. Flat Washer x 4</p> <p>L. Bolt M4 x 15mm x 4</p> <p>N. Allen Key M4 x 1</p>

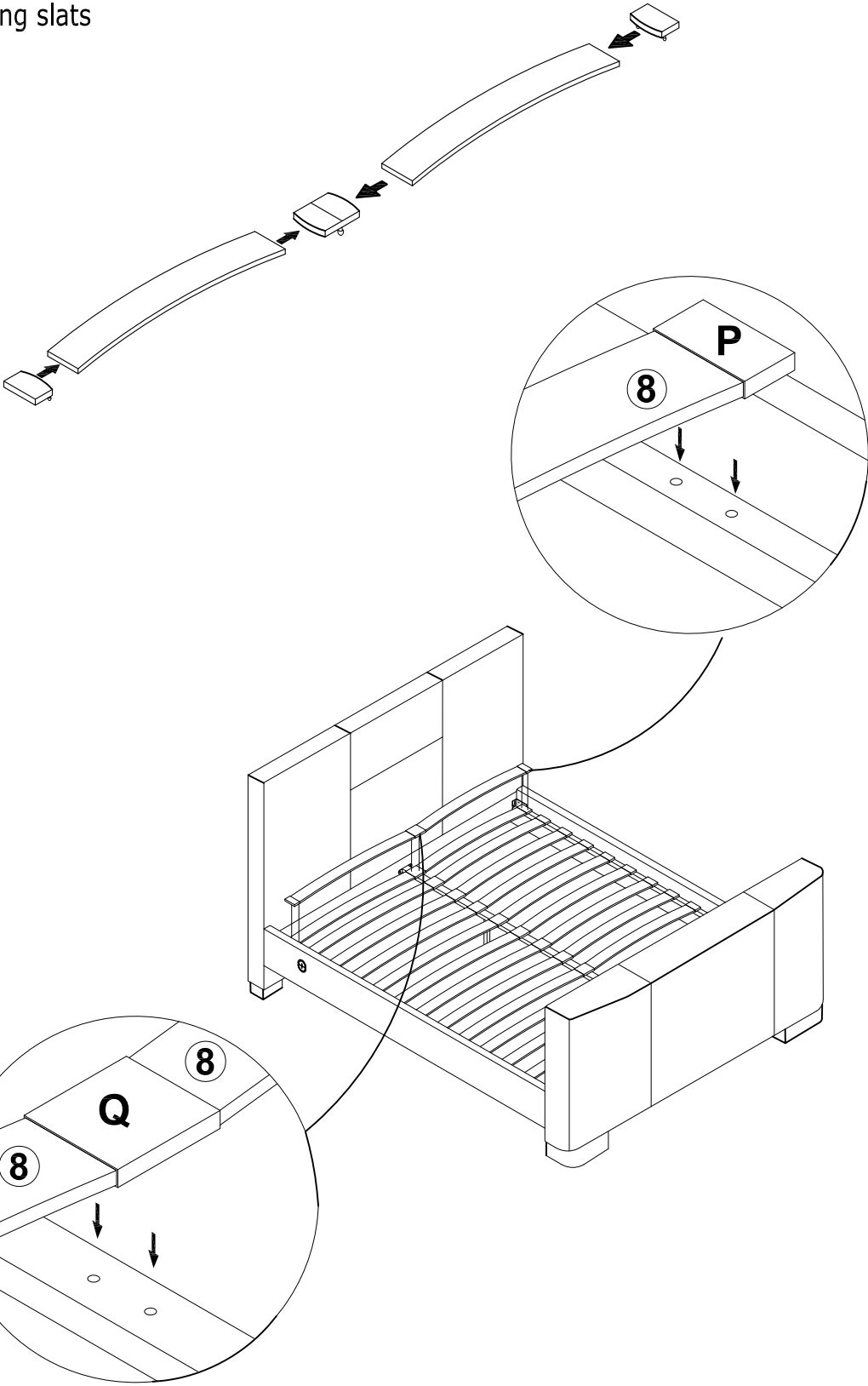
NEWARK TV BED ASSEMBLY INSTRUCTIONS

DETAIL CONNECTIONS PLAN



Place the wire cable through the Cable Management Caps to prevent any damage to the wire cable (eg.other power cord) when TV Lift Mechanism is operating.
Make sure the wire cables are long enough to let the TV Lift Mechanism move freely.

NEWARK TV BED ASSEMBLY INSTRUCTIONS

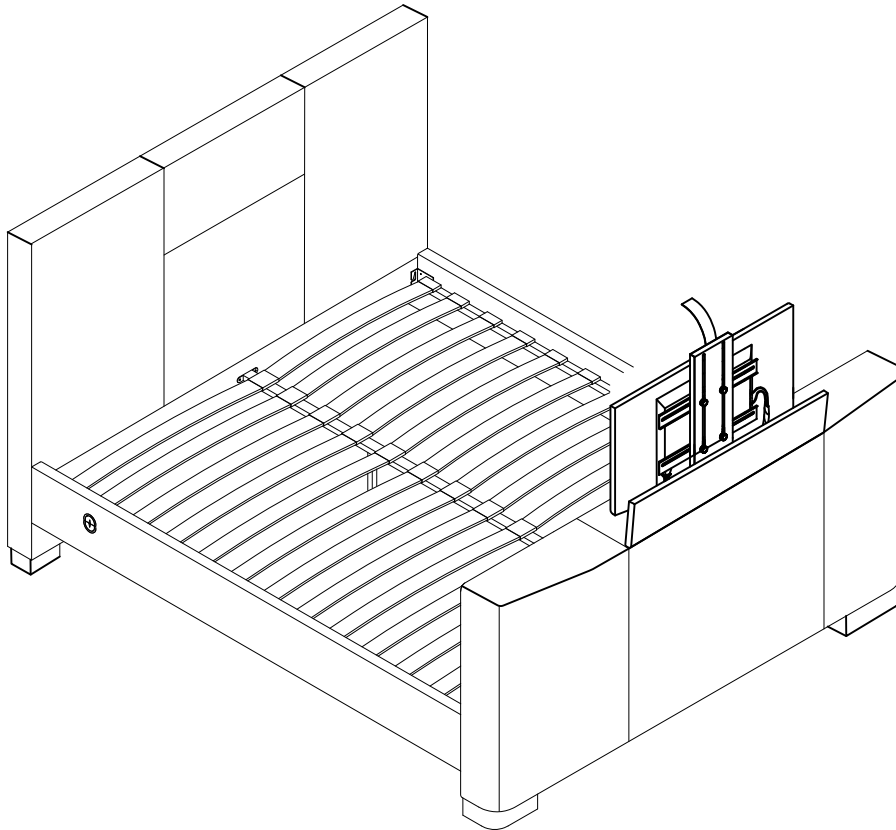
STEP 7	PARTS REQUIRED
<p data-bbox="156 315 320 353">Fitting slats</p>  <p data-bbox="1284 315 1455 389">P: Single Plastic Cap 4'6 x 24 5' x 26</p> <p data-bbox="1284 510 1455 613">Q: Double Plastic Cap 4'6 x 12 5' x 13 x 6</p> <p data-bbox="1284 674 1455 725">8.Slats 4'6 x 24 5' x 26</p>	

NEWARK TV BED ASSEMBLY INSTRUCTIONS

Complete Assembly

Your Bed now completely assembled.

Periodically check to ensure that the components are in their proper position, free from damage. Also, make sure the connectors are tight and secure.



Keep instructions for future reference

