



# Birlea

Suppliers of inspiration

## Assembly Instructions

---

Thank you for  
purchasing a  
Birlea product.

For a chance to win a *Love 2 Shop* voucher simply post a picture of your new product on your preferred social channels tagging Birlea Furniture and using the hashtag **#ShareYourStyle** and **#Birlea**. One winner will be selected at random each month.

To view our full terms and conditions please visit our website. [www.birlea.com](http://www.birlea.com)

---

### Are you happy with your purchase?

**Yes:** That's great, we would love to hear more from you. Please leave us a review on our social media channels or Trustpilot. Your feedback will be greatly appreciated.

**No:** If for any reason there is something missing, indifferent or incorrect with your order, please contact the retailer you purchased the item from. We will work with the retailer to resolve your issue as quickly as possible.



[www.birlea.com](http://www.birlea.com)

## ASSEMBLY INSTRUCTIONS

### PEMBROKE 3 + 2 DRAWER CHEST PINE

**IMPORTANT: READ THESE INSTRUCTIONS CAREFULLY BEFORE ASSEMBLING OR USING YOUR PEMBROKE 3 + 2 DRAWER CHEST PINE.**

**PLEASE KEEP THESE INSTRUCTIONS FOR FUTURE REFERENCE.**

#### **HEALTH & SAFETY:**

DO NOT use this item if any parts are missing, damaged or worn.

DO NOT use this item unless all fixings are secured.

Please keep small parts out of reach of children.

Always use on a level, even surface.

It is recommended that two people handle and assemble the item.

Birlea advise you use the wall straps provided to further enhance the safety of this product.

#### **CARE & MAINTENANCE:**

Assemble in the room of use.

To avoid damages assemble the item on a soft, clean surface

Periodically check all screws & fixings to ensure they are secure.

DO NOT push the item as this will damage the base.

Always lift the item with two people to reposition.

Keep any sharp objects away from the item.

This product is manufactured in pine which is a wood with natural characteristics including knots, grains, clusters or indentations.

On unpacking the item you may notice an odour due to production processes but this will disappear after a period of time.

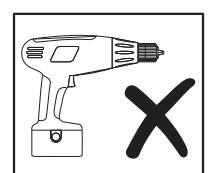
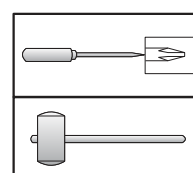
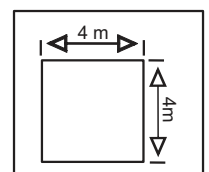
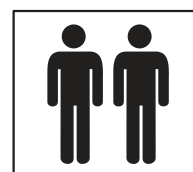
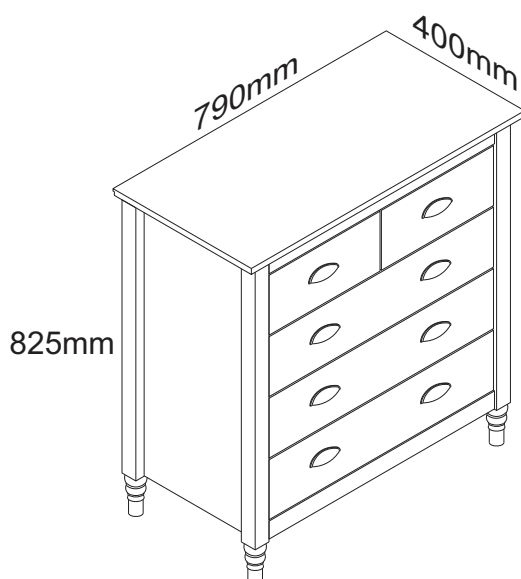
DO NOT place the item next to a radiator or direct sunlight – this item is susceptible to temperature change.

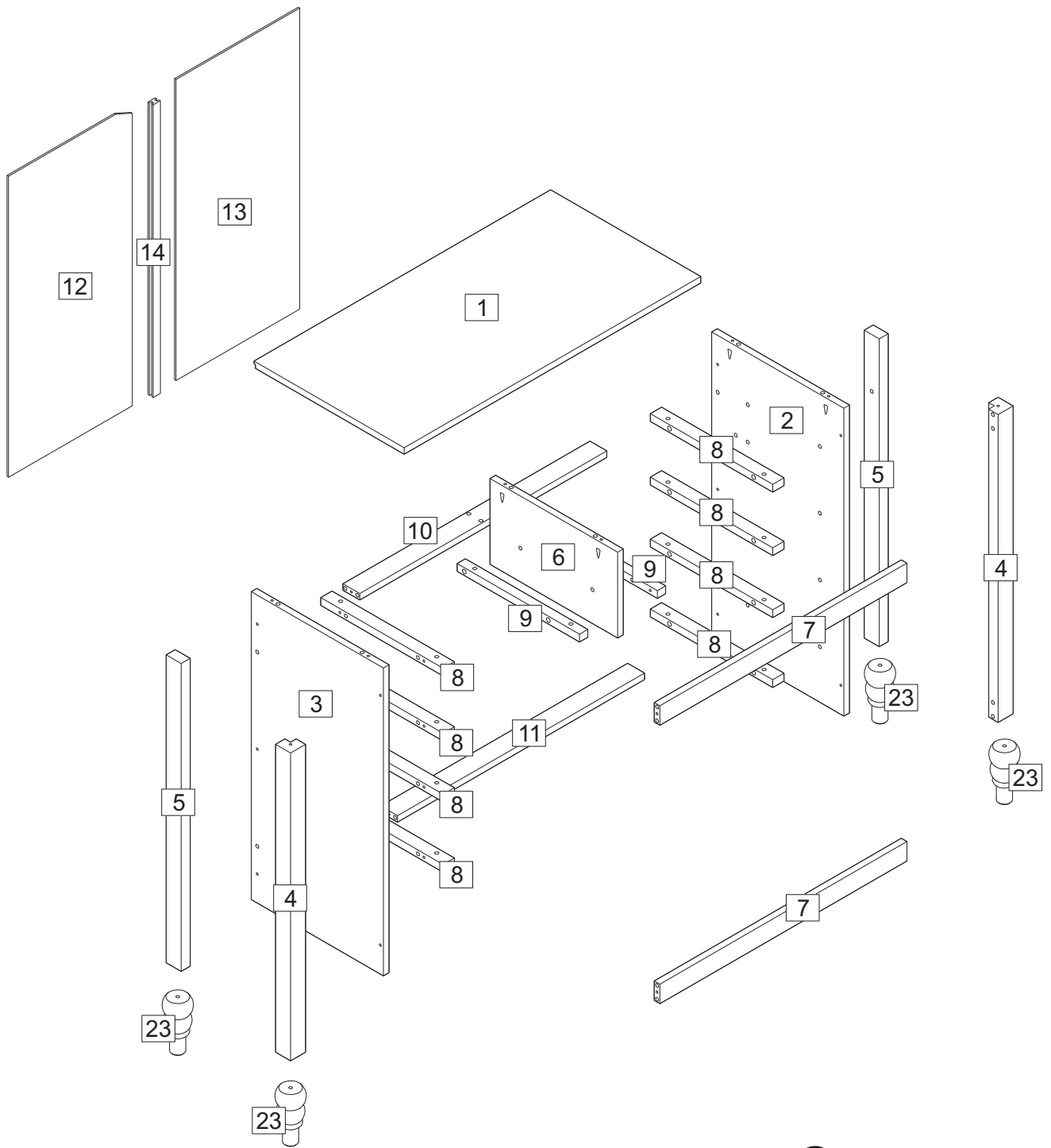
It is recommended an even room temperature be maintained with no sudden fluctuations.

DO NOT place hot or cold items directly onto the surface of the item as marking will occur

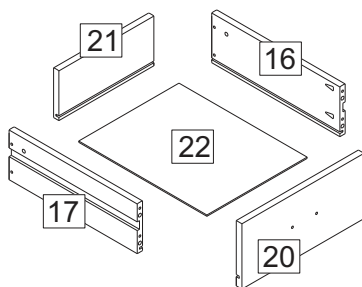
For general cleaning use a duster or damp cloth (almost dry) not wet – do not use soap and water, detergents, aerosol sprays or any polish as use of these materials would invalidate any claims.

DO NOT place the item onto wet or damp flooring as staining may occur to the floor.

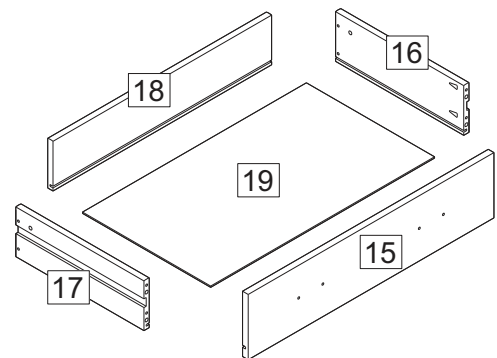












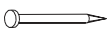
2x



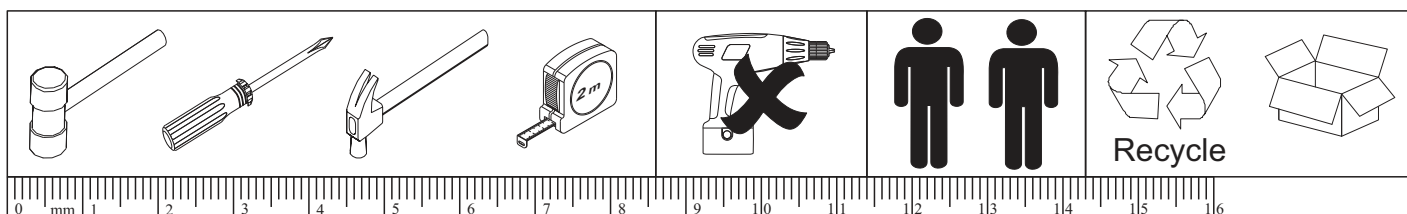
3x



PARTS LIST		
Part	Item	Qty
1	Top Panel	1
2	Right Panel	1
3	Left Panel	1
4	Front Side Column	2
5	Back Side Column	2
6	Division Panel	1
7	Front Cross Member	2
8	Side Slide	8
9	Central Slide	2
10	Upper Rear Cross Member	1
11	Lower Rear Cross Member	1
12	Left Rear Panel	1
13	Right Rear Panel	1
14	H Profile	1
15	Drawer Front	3
16	Right Side Drawer	5
17	Left Side Drawer	5
18	Larger Drawer Back	3
19	Drawer Background	3
20	Smaller Drawer Front	2
21	Smaller Drawer Back	2
22	Lower Drawer Back	2
23	Foot	4

HARDWARE LIST		
Part	Item	Qty
<b>A</b>	Wooden dowel 	85
<b>B</b>	14mm Screw 	1
<b>C</b>	30mm Screw 	86
<b>D</b>	18mm Screw 	16
<b>E</b>	60mm superb bar 	4
<b>F</b>	Smooth shell pull 	8
<b>H</b>	Washer 	2
<b>I</b>	Wall Strap 	1
<b>J</b>	Tack 	24

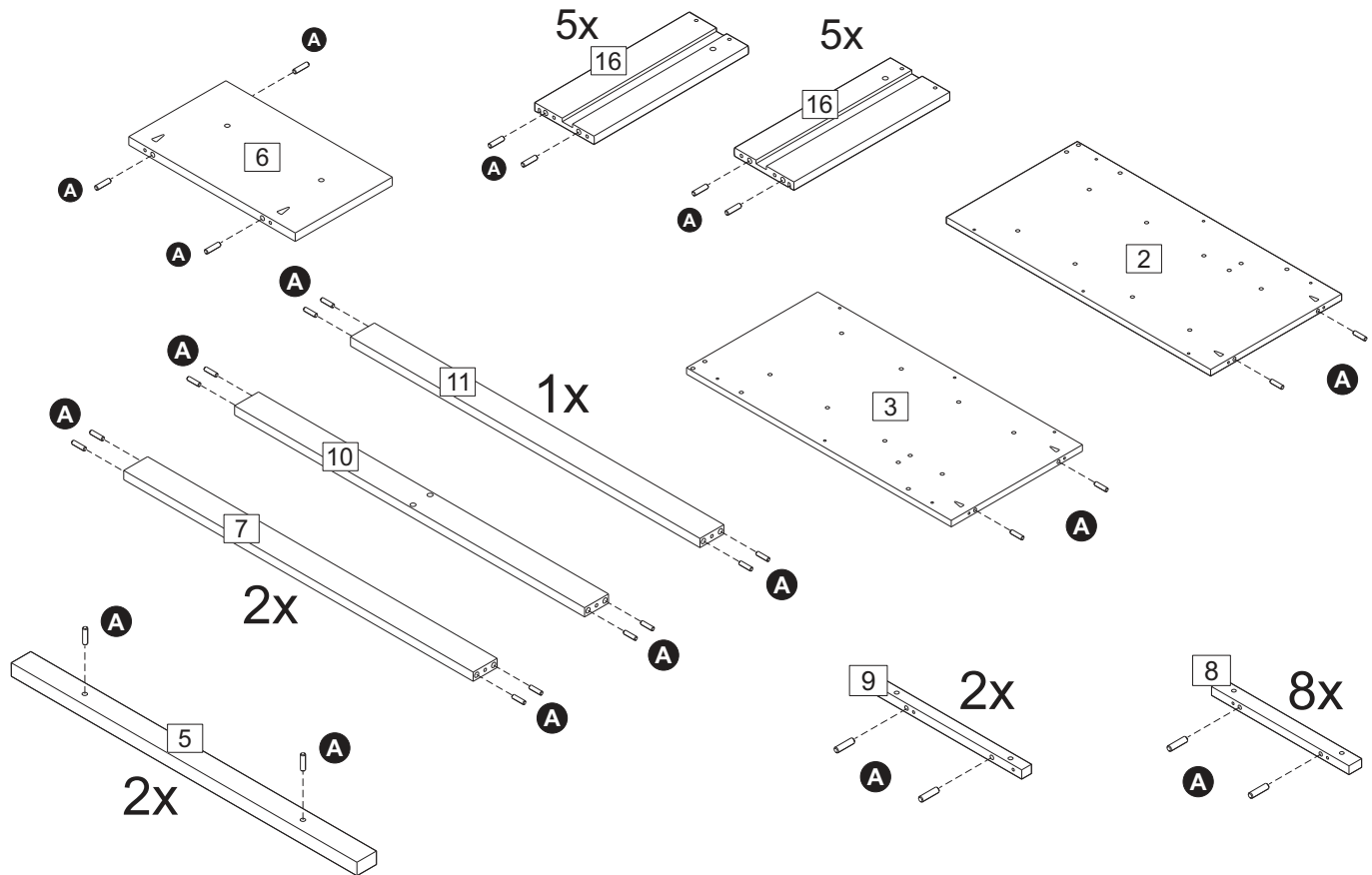
\*\* You will need a small mallet and a screwdriver.



**STEP 1:** Insert the hardware (A) in the parts shown.

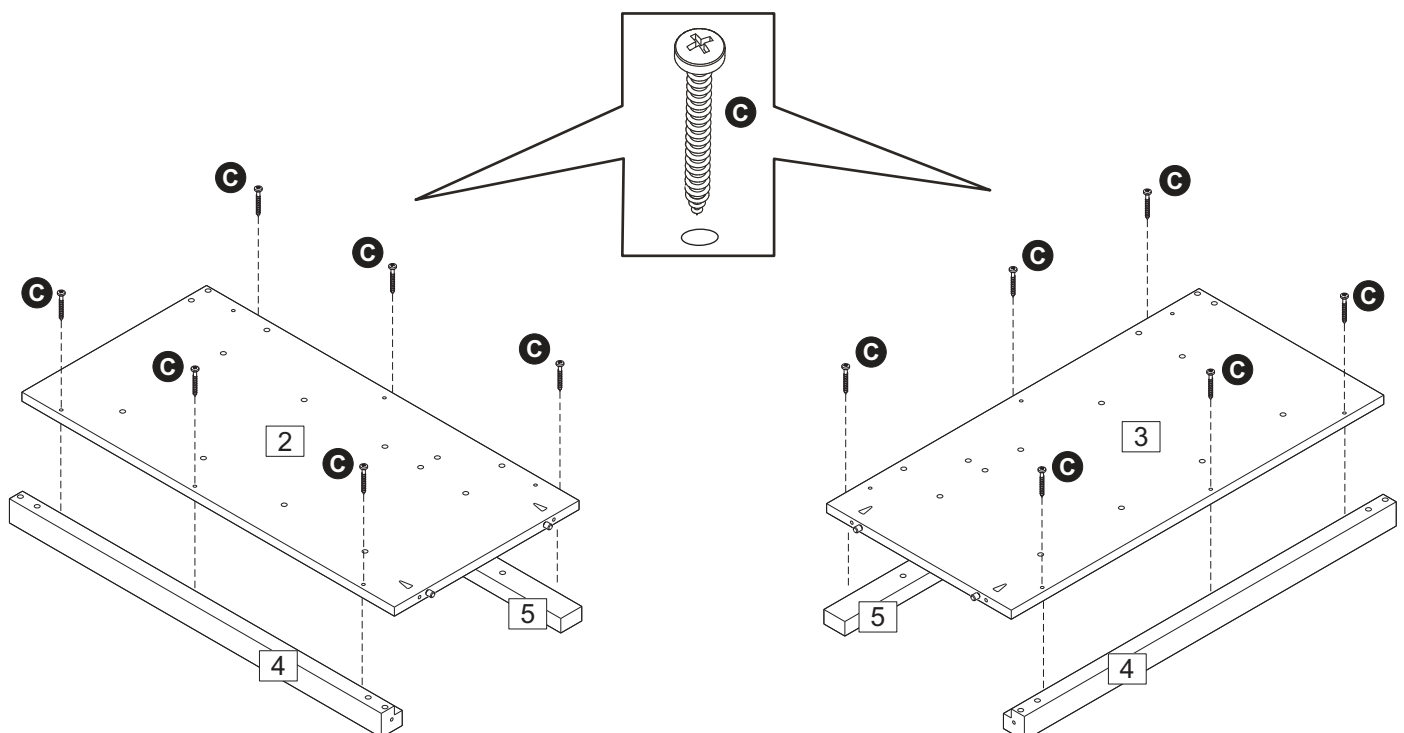
Vendor: S000238

**Do NOT use any power tools as this may damage the frame and will invalidate any claim.**



**STEP 2:** Fix the right panel (2) and the left panel (3) onto the front side column (4) and the back side column (5) using hardware (C).

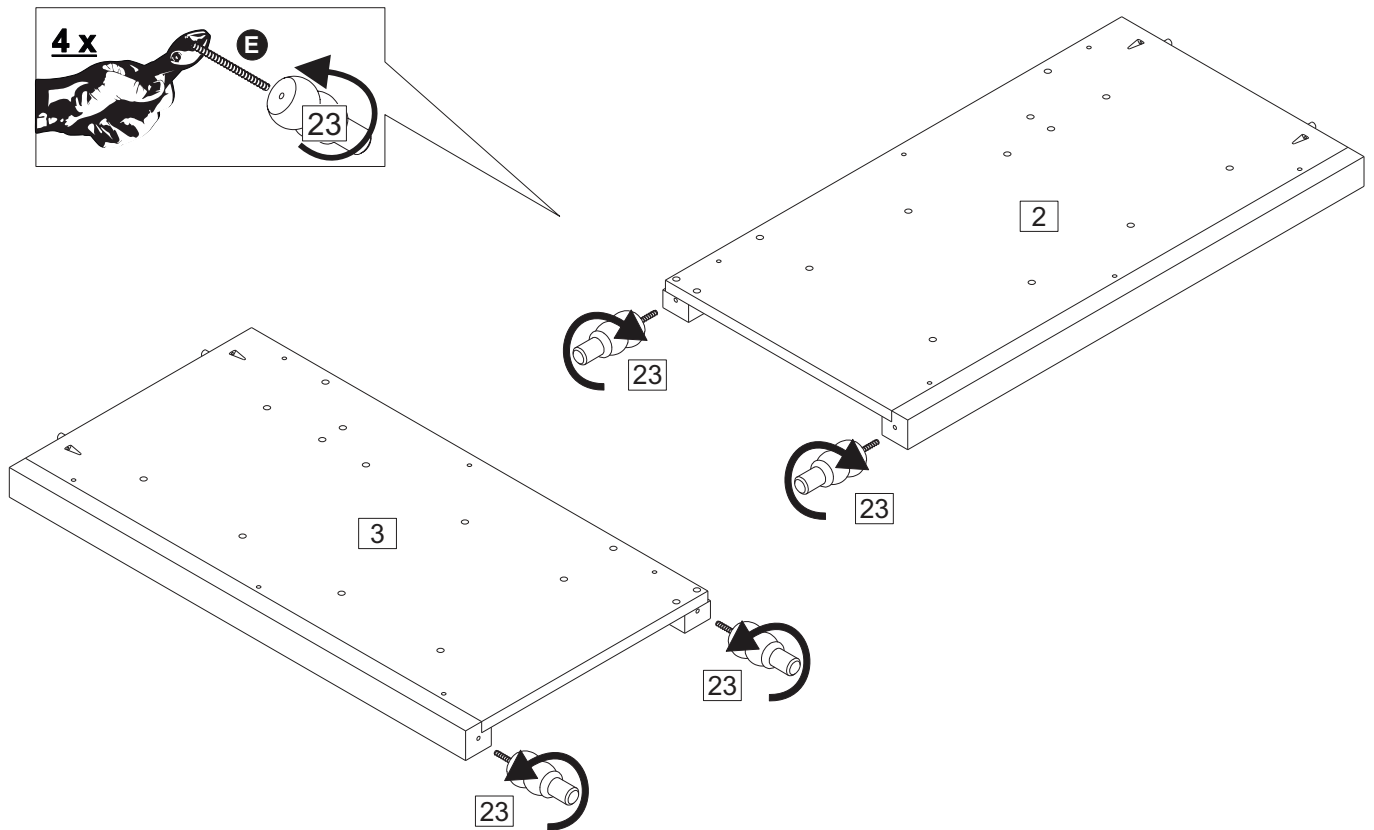
**Do NOT use any power tools as this may damage the frame and will invalidate any claim.**



**STEP 3:** Insert hardware (E) to the foot (23). Insert the foot into the right panel (2) and the left panel (3).

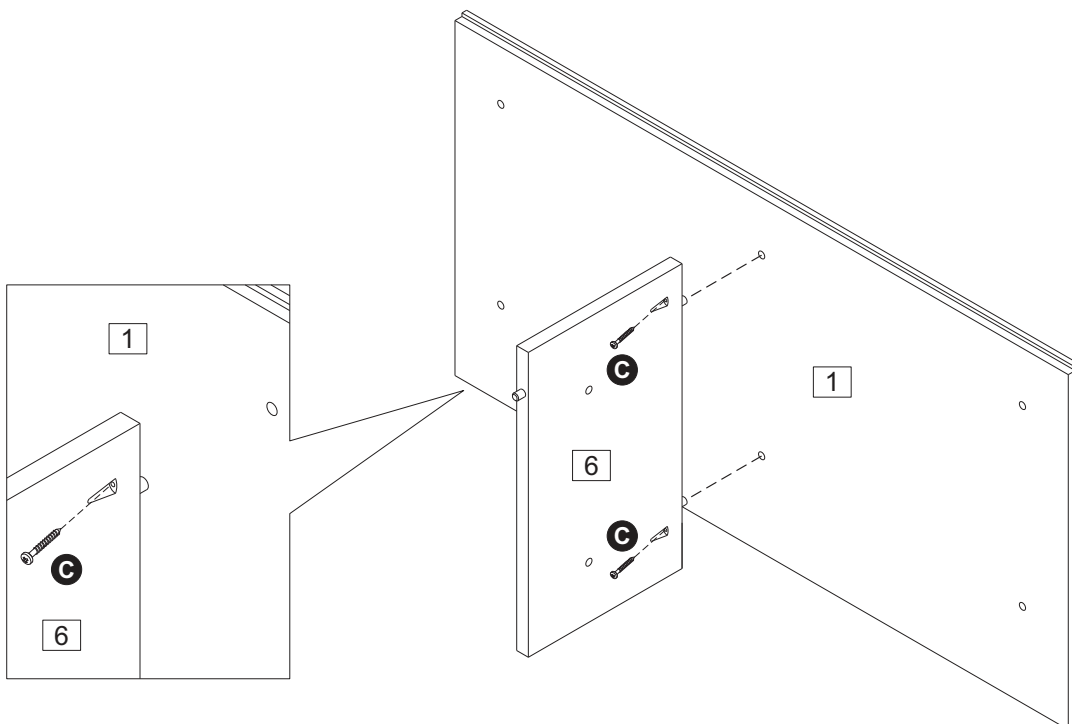
Vendor: S000238

**Do NOT use any power tools as this may damage the frame and will invalidate any claim.**



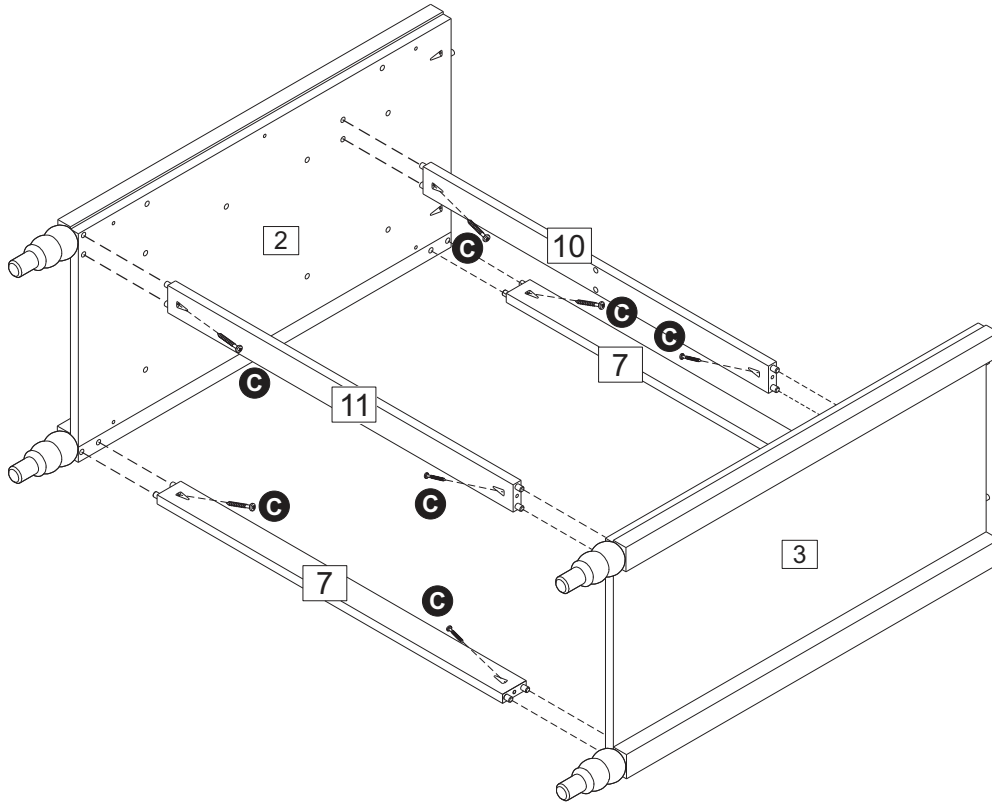
**STEP 4:** Attach the division panel (6) to the top panel (1) using hardware (C).

**Do NOT use any power tools as this may damage the frame and will invalidate any claim.**

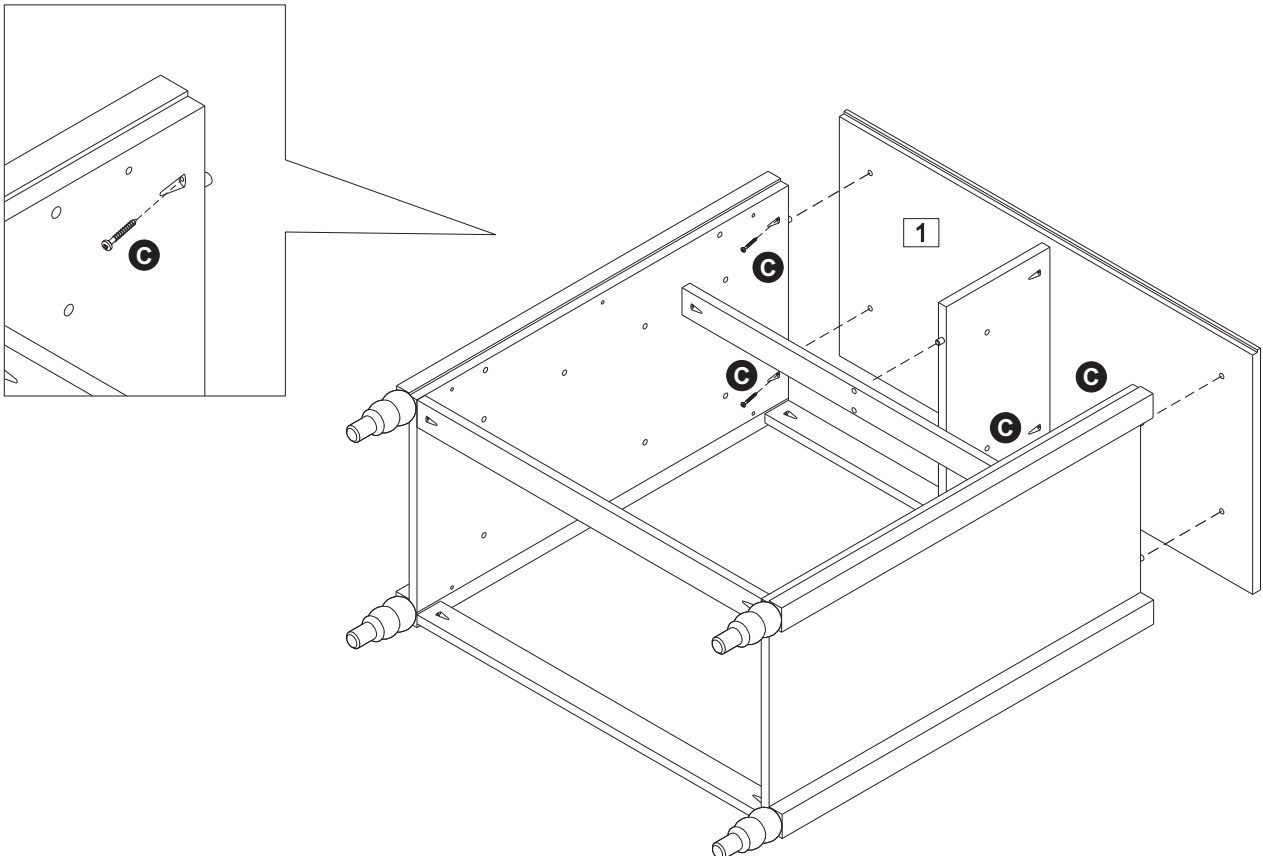


**STEP 5:** Fix the front cross member (7), the lower rear cross member (11) and the upper rear cross member (10) onto the assembled right panel (2) and left panel (3) using hardware (c).  
Do NOT use any power tools as this may damage the frame and will invalidate any claim.

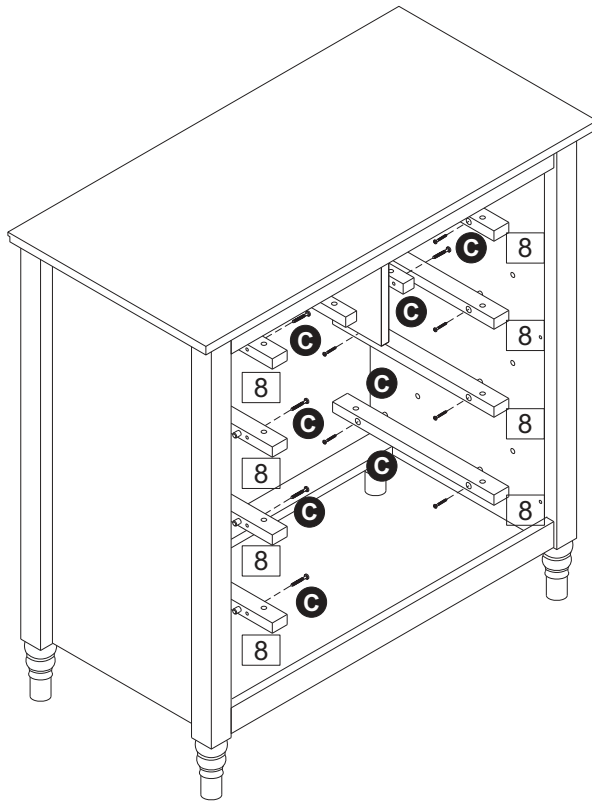
Vendor: S000238



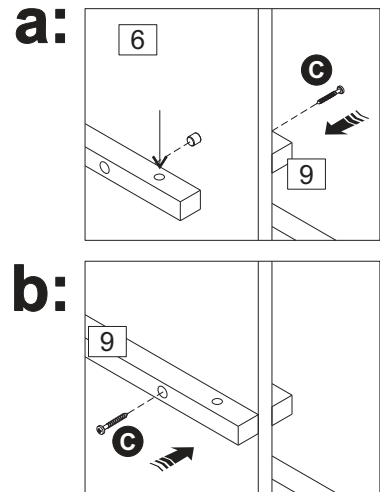
**STEP 6:** Attach the assembled frame to top panel (1) using hardware (c).  
Do NOT use any power tools as this may damage the frame and will invalidate any claim.



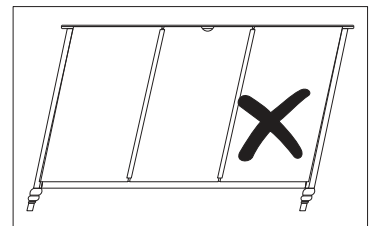
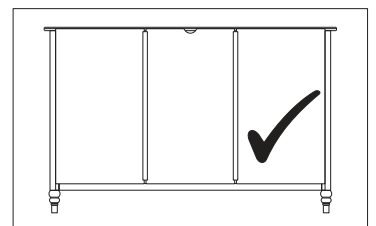
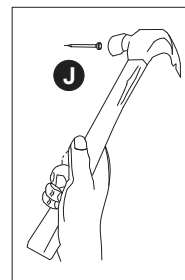
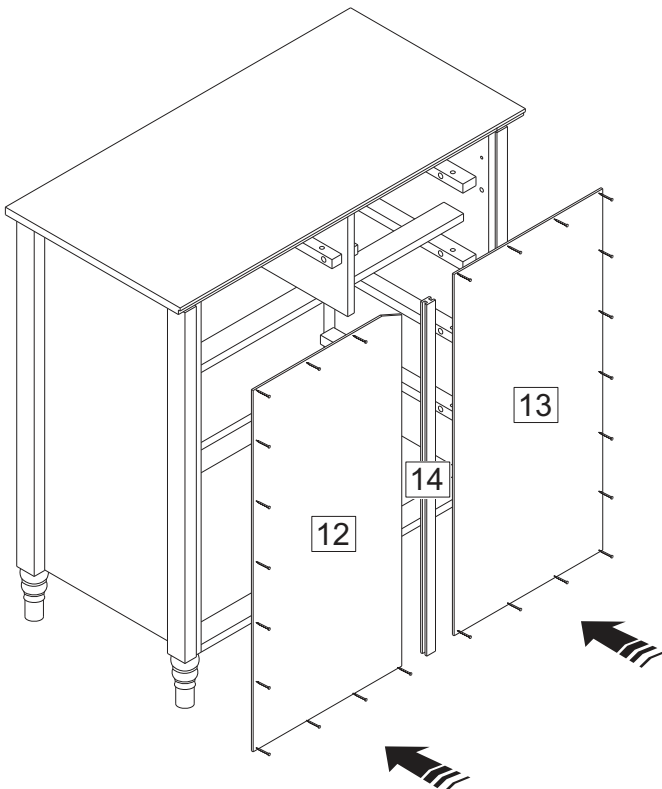
**STEP 7:** Attach the side slide (8) and central slide (9) into the side of furniture using hardware (C). Vendor: S000238  
**Do NOT use any power tools as this may damage the frame and will invalidate any claim.**



**Attention:**  
correct slide position



**STEP 8:** Fix the left rear panel (12) and right rear panel (13) with the H profile (14) using hardware (J).  
**Do NOT use any power tools as this may damage the frame and will invalidate any claim.**





**STEP 9:** Fix the left side drawer (17) and the right side drawer (16) into the drawer front (15) using hardware (C).

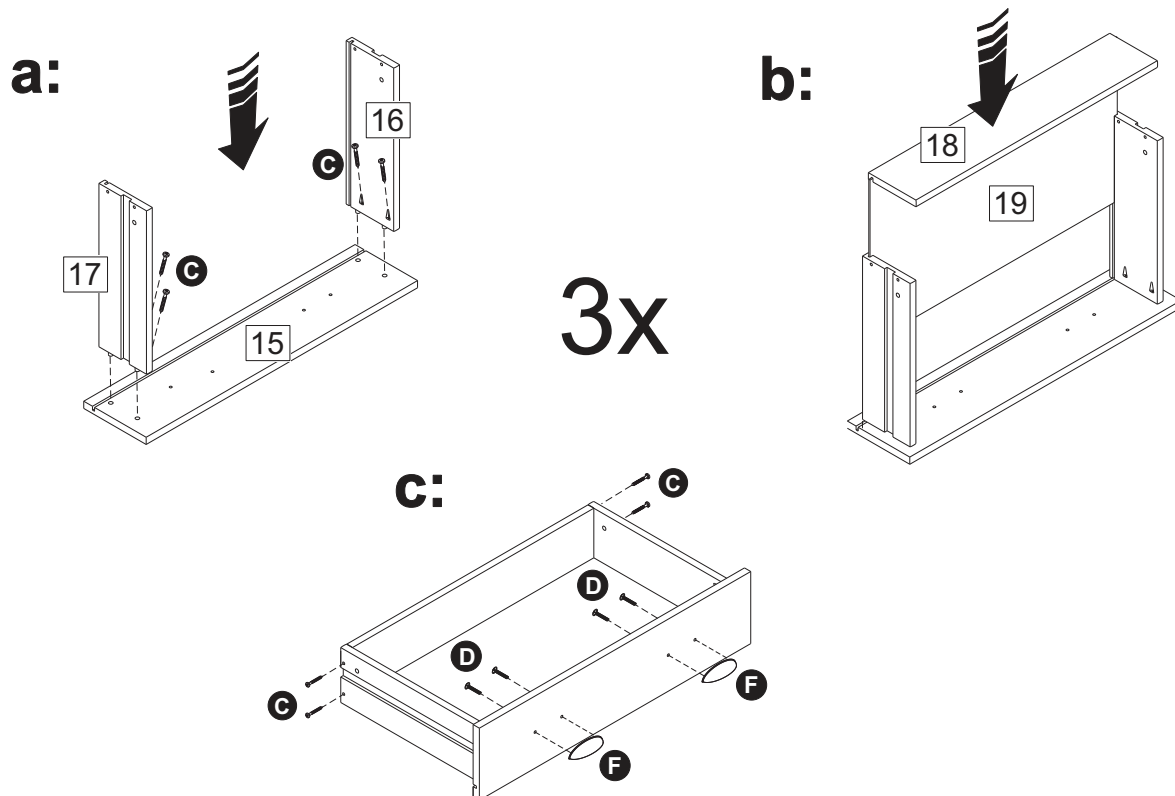
Vendor: S000238

Insert the drawer background (19) between the left and right side drawers (17) and (16).

Fix the larger drawer back (18) to the left and right side drawers (17) and (16) using hardware (C).

Fix hardware (F) onto the drawer front (15) using hardware (D).

**Do NOT use any power tools as this may damage the frame and will invalidate any claim.**



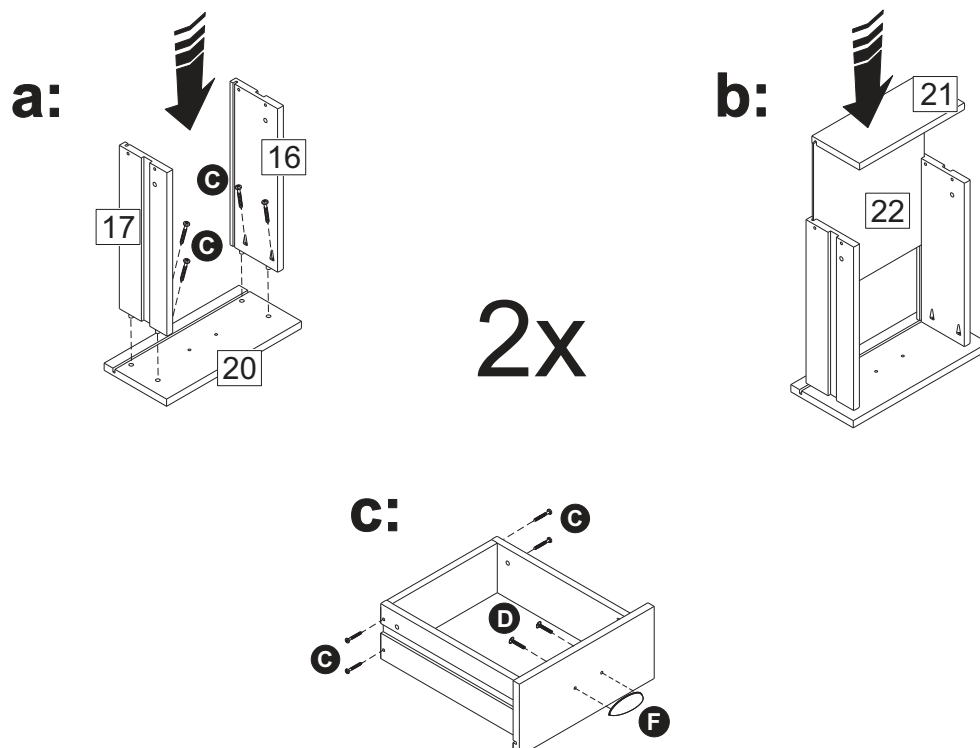
**STEP 10:** Fix the left and right side drawers (17) and (16) onto the smaller drawer front (20) using hardware (C).

Insert the lower drawer back (22) between the left and right side drawers (17) and (16).

Fix the smaller drawer back (21) to the left and right side drawers (17) and (16) using hardware (C).

Fix hardware (F) to the smaller drawer front (20) using hardware (D).

**Do NOT use any power tools as this may damage the frame and will invalidate any claim.**



**Step 11:** The chest needs to be fixed to the wall.

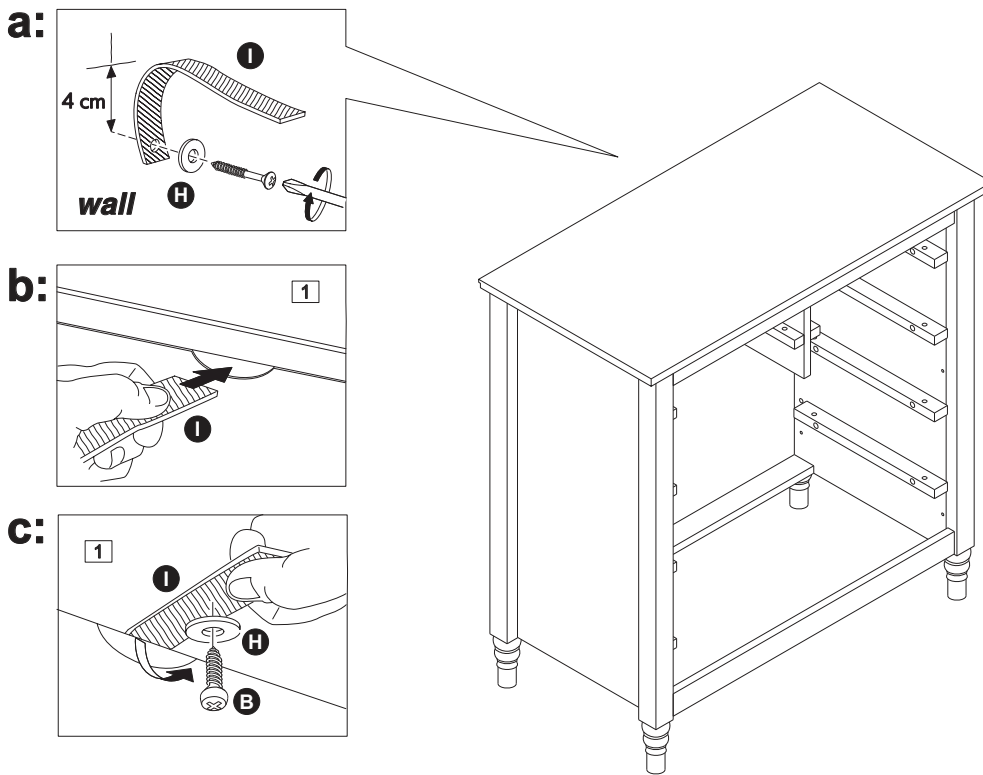
Vendor: S000238

Fix the wall strap (I) to the wall using washer (H) and a screw (not provided).

Insert wall strap through the hole in the back part of the furniture and fix onto the top panel using washer (H) and 14mm Screw (B).

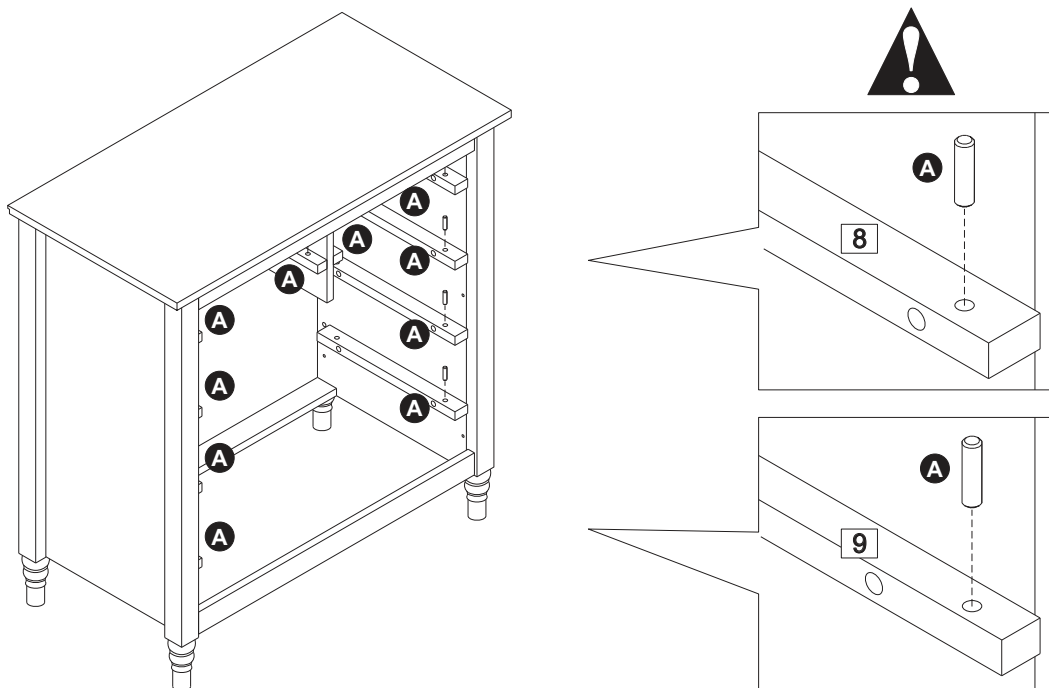
**Wall plug and screw are not supplied to attach the wall strap to the wall.**

**The correct type of fixing must be used for your wall, seek professional advice if in doubt.**



**STEP 12:** Insert the hardware (A) into the slides (8) e (9).

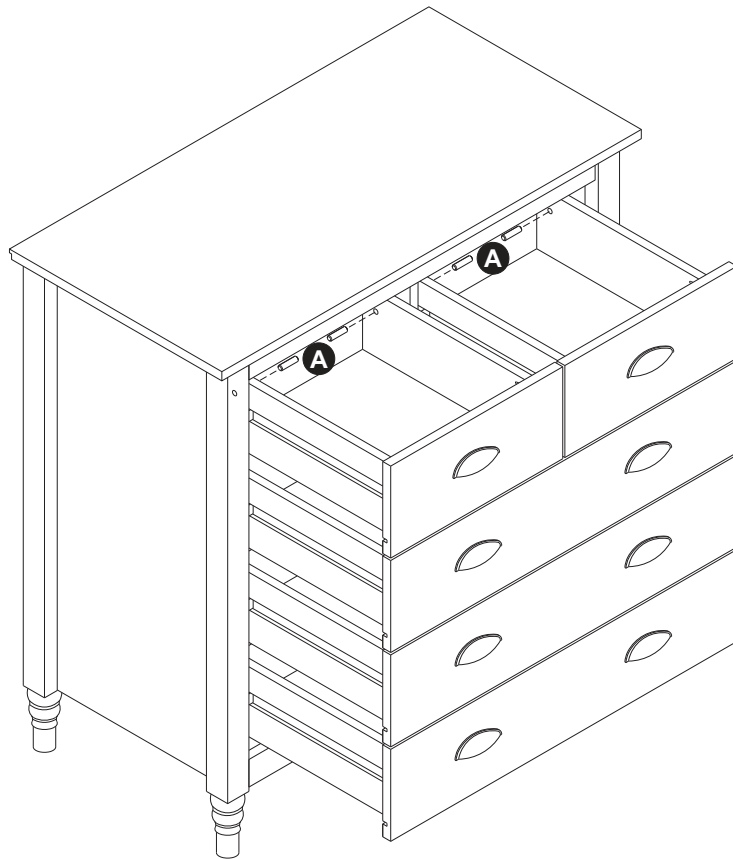
**Do NOT use any power tools as this may damage the frame and will invalidate any claim.**



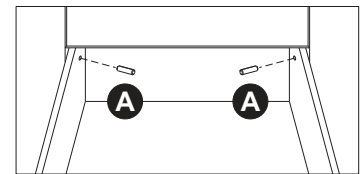
**Step 13:** Insert the drawers as shown using hardware (A).

Vendor: S000238

**Do NOT use any power tools as this may damage the frame and will invalidate any claim.**



5x



**Additional Information:**

- For complete product information, images and dimension diagrams please visit the website [www.birlea.com](http://www.birlea.com)
- If you have any issues with your item please contact the retailer directly you purchased it from who will be able to resolve any issues with Birlea.
- Why don't you send us photos of your assembled furniture to [info@birlea.com](mailto:info@birlea.com) to be shared in our #birleahome feature on Instagram.