

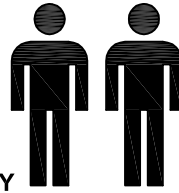
**DESCRIPTION:**

**TITAN MEDIA TV BED**

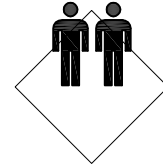
**1.5 Hr**

APPROXIMATE ASSEMBLY TIME

2 PERSON ASSEMBLY



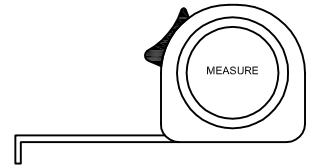
FLOOR AREA  
2.5M X 2.5M



CEILING HEIGHT  
2.5M

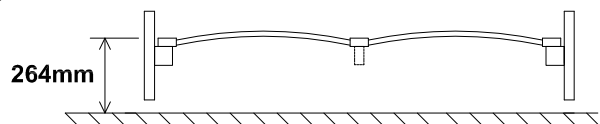
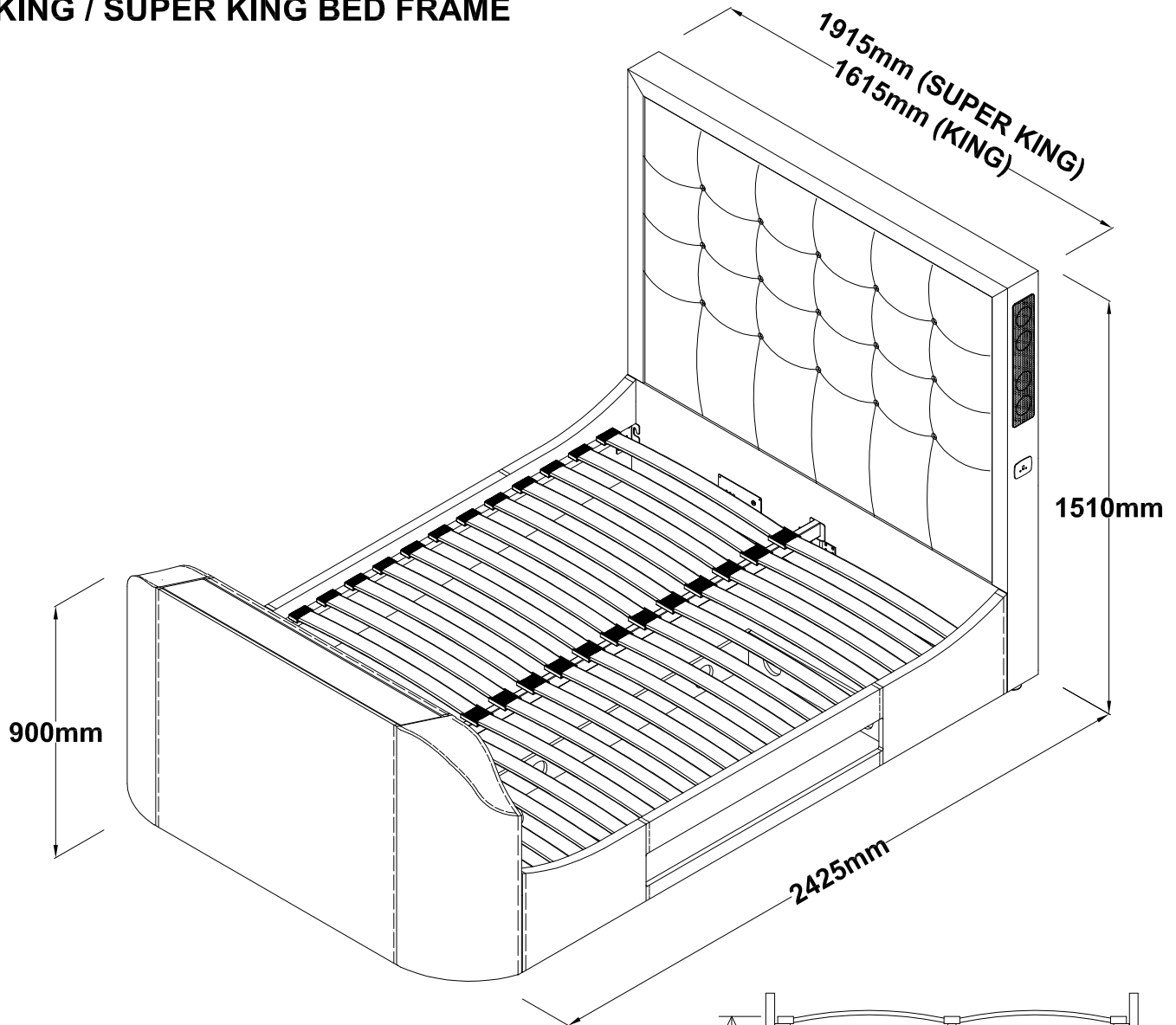
REQUIRED ASSEMBLY SPACE

REQUIRED ASSEMBLY TOOLS



ASSEMBLED DIMENSIONS

**KING / SUPER KING BED FRAME**



Internal size for mattress = 1530mm x 2050mm (king)  
Internal size for mattress = 1830mm x 2050mm (super king)

Regrettably self-assembly items cannot be returned once assembly is part or fully completed unless the items are found to be faulty. Should you need to return the unassembled product, please repack in its original packaging.

### **Important Information**

- We suggest you spend a short time reading through this leaflet and then follow the simple step-by-step instructions.
- Carefully check that you have all the parts before beginning assembly.
- Keep fittings out of children's reach and keep children well away from construction area.
- We suggest you retain these instructions for future reference.

### **Product Information**

- **TV bed.**
- **Upholstered Bed Using Berwick Fabric. Conforms to BS EN 1725 & BS 5852.**
- **TV Lift system has a maximum load capacity of 80lbs ( 37kg )**
- **This product has a cavity and TV lift dimension restriction. Note TV Restrictions : Max Height 58cm Max Width 98cm and Max Depth 7.5cm.**

### **NOTE:**

**In the event this product is purchased without an associated TV, or in instances where the user decides to use an alternative TV to the one supplied by the retailer- It is the users responsibility to ensure their chosen television is dimensionally compatible, allowing for Aerial & HDMI leads and all other cables and peripherals (like USB sticks) are managed in a way that does not cause damage to either the product or chosen Television. Please read the disclaimer at the bottom of this page. Please contact the bed manufacturers UK support centre helpline, in instances were you require additional TV set-up information.**

### **Care Instructions**

- Avoid exposing the furniture to excessive heat or direct sunlight as this can cause cracking or deterioration of the colour.
- Periodically check & re-tighten any fastener.
- Periodically dust lightly with a clean soft cloth.
- Do not use silicone based furniture polish.
- Any spills should be removed immediately with a soft damp cloth.
- **TAKE CARE WHEN MOVING THE FURNITURE AND NEVER DRAG THE PIECES ACROSS THE FLOOR, AS THIS WILL CAUSE DAMAGE TO THE JOINTS.**

### **ATTENTION! PLEASE NOTE:**

In the event you are experiencing any technical difficulties and you require additional assistance/ support with your product 'Mechanical/ Electrical' function - Please Contact:

SUPPORT EMAIL: [support@bssbfurnitureinnovation.com](mailto:support@bssbfurnitureinnovation.com)

UK PRODUCT SUPPORT HOTLINE : 01462600064

Contact your retailer for all other issues such as damage, missing or faulty components ( non electrical ) or anything else of a non technical/electrical nature.

### **DISCLAIMER**

**Whereas every effort has been made to allow this product to utilise the maximum number of TV's available it is not possible to accommodate every product in an ever changing market. It is the responsibility of the customer to ensure suitability of the TV to the TV bed before attempting operation. It is the customers responsibility to ensure all wiring is correctly placed in accordance with both the TV and TV bed manufacturer.**

**Kaydian will not be held responsible for any damage caused to the TV, TV Cabling or TV bed due to incompatibility of equipment used.**



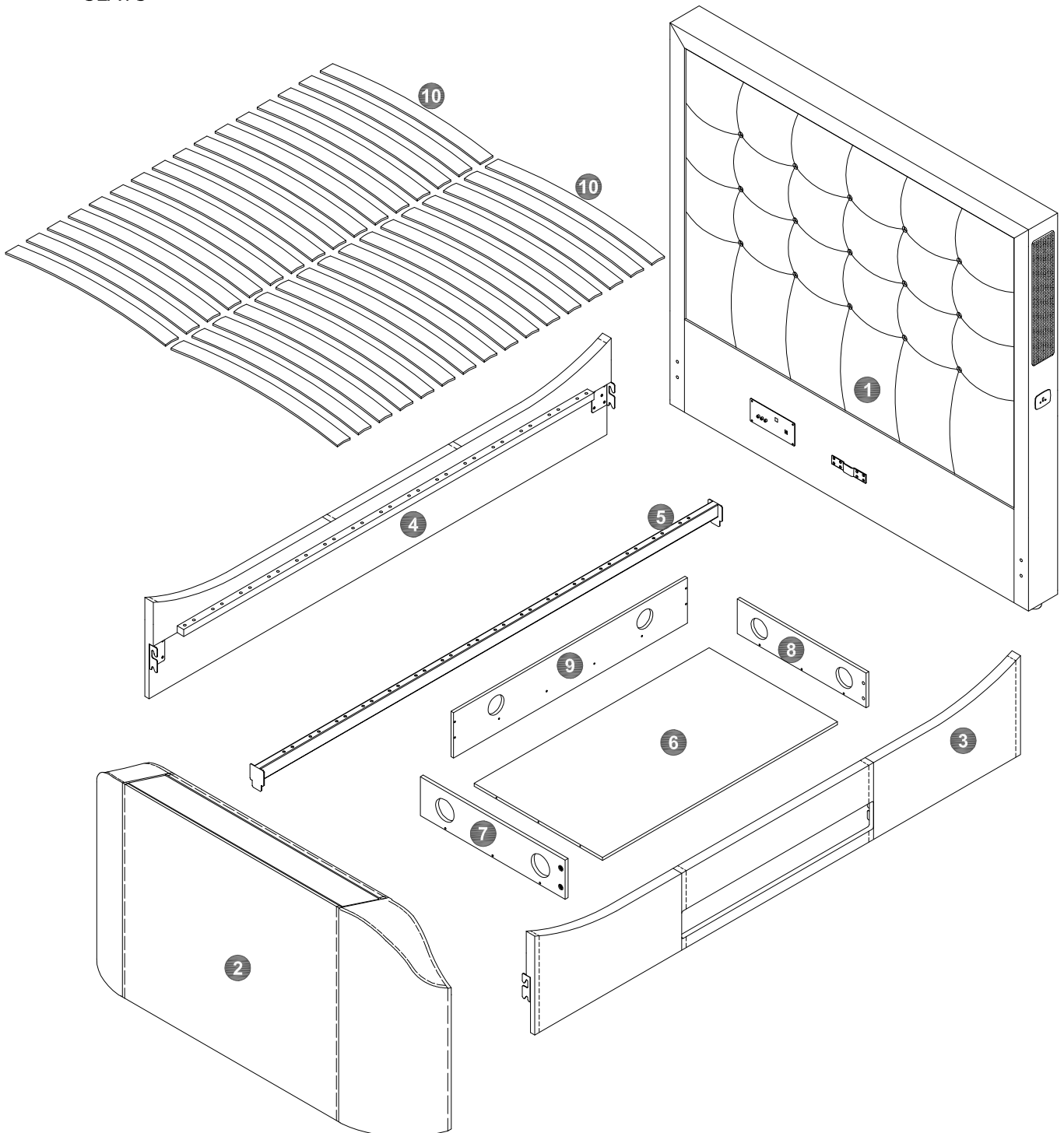
Comforms To :

CE_LIFT_Controller unit Linear actuator in UK/ EU (LVD + EMC + RoHS):
-EN 60335-1; EN 62233; EN 55014-1; EN55014-2; EN 61000-3-2; EN 61000-3-3;
CE_MEDIA SYSTEM_For Audio System in UK/ EU (LVD + EMC + RoHS):
-EN 60065; EN 550132; EN 55020; EN 301489, EN300328; EN62479; EN55032;

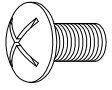
# PARTS LIST

NO.	PART LISTS	QTY
1	HEADBOARD	1
2	FOOTBOARD	1
3	SIDE RAIL-1	1
4	SIDE RAIL-2	1
5	CENTRE RAIL	1
6	DVD/ MEDIA COMPARTMENT BASE	1
7	DVD/ MEDIA COMPARTMENT SIDE PANEL (LEFT)	1
8	DVD/ MEDIA COMPARTMENT SIDE PANEL (RIGHT)	1
9	DVD/ MEDIA COMPARTMENT REAR PANEL	1
10	SLATS	32

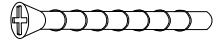
CARTON 1 CONSISTS OF PART : 1  
 CARTON 2 CONSISTS OF PART : 2, HARDWARE , AI  
 CARTON 3 CONSISTS OF PART : 3, 4, 5, SCREW DRIVER  
 CARTON 4 CONSISTS OF PART : 6, 7, 8, 9, HARDWARE  
 CARTON 5 CONSISTS OF PART : 10, SLAT CAPS



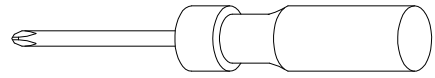
# HARDWARE LIST



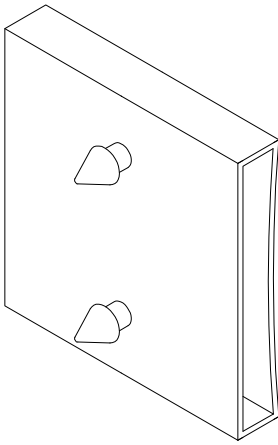
**4x**  
M8 X 16mm  
**A**  
BOLT



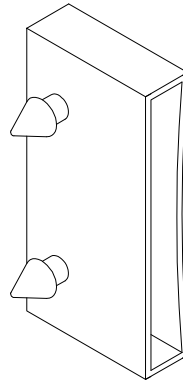
**14x**  
M5 X 35mm  
**B**  
SCREW



**1x**  
**C**  
SCREW DRIVER  
(4" x 5mm)



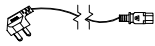


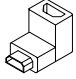


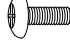
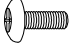
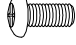





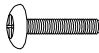
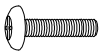
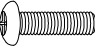
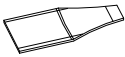
**16x**  
**D**  
CENTRE CAP



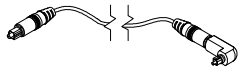
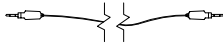
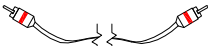
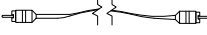
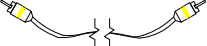
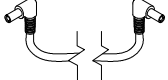

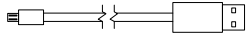
**32x**  
**E**  
END CAP



### Hardware List-TV Lift & TV Connection (in Carton 2)

<p>(13) TV lift up mechanism AC/ power cable power plug x 1</p> 	<p>(14) Cable Clip x 2</p> 	<p>(15) Aerial connection x 1</p> 	<p>(16) 90 degree HDMI adaptor x 1</p> 
<p>(17) Allen Key M4 x 1</p> 	<p>(18) PH Screw M4 x 20mm x 2</p> 	<p>(19) PH Screw M5 x 20mm x 2</p> 	<p>(20) PH Screw M6 x 20mm x 2</p> 
<p>(21) PH Screw M8 x 20mm x 2</p> 	<p>(22) M5 Washer x 2</p> 	<p>(23) M6 Washer x 2</p> 	<p>(24) M8 Washer x 2</p> 
<p>(25) Plastic Collar x 6</p> 	<p>(26) PH Screw M4 x 40mm x 2</p> 	<p>(27) PH Screw M5 x 40mm x 2</p> 	<p>(28) PH Screw M6 x 40mm x 2</p> 
<p>(29) PH Screw M8 x 40mm x 2</p> 	<p>(30) Wireless Remote Control Pocket x 1</p> 		

### Audio / Speaker System Connection Hardware (in Carton 2)

<p>(X + XI) Optical Cable with Optical Adaptor Head x 1</p> 	<p>(XII) Aux Cable x 1</p> 	<p>(XIII) RCA Cable-Red x 1</p> 	<p>(XIV) RCA Cable-White x 1</p> 
<p>(XV) RCA Cable-Yellow x 1</p> 	<p>(XVI) Power Cable x 1</p> 	<p>(XVII) Wireless Remote Control x 1</p> 	<p>(XVIII) USB Micro-B (Male) charger cable x 1</p> 

## Top Tips before you start!

1. Please check that all parts are present before you start the assembly of your furniture, as once assembled, the furniture is exempt from our home approval policy.
2. For ease and speed of assembly, we recommend that before you commence each step of the assembly, that you identify all the parts required for that step.
3. For larger items, please ensure that you have sufficient space and people (as indicated on page 1) to assemble your product safely.
4. We recommend that, where possible, all items are assembled near to the area in which they will be placed in use, to avoid moving the product unnecessarily once assembled.
5. For the protection of your furniture, particularly items of high gloss finish, we recommend that the product is placed on a protected surface during assembly to prevent any damage.
6. During assembly please take care not to over-tighten any fittings, as this may damage the product.

## Care and Maintenance of your Furniture

- Please periodically check all fittings and re-tighten as necessary.
- To clean your item, please use a damp cloth and wipe clean.
- Please do not jump on your furniture.
- Never allow any kind of liquid to remain on your furniture. Absorption can cause finishes to de-laminate.
- Periodically check the condition of your bed slats and plastic locating caps to ensure they are in good condition and have not become loose.
- This is very important when moving your bed. It is best to lift the bed, and never to drag it.
- Please kindly take account of your floor covering when assembling a new bed! If the floor offers little resistance (such as wood or laminate) then it is recommended to use rug or similar be placed under each leg.

### **ATTENTION! PLEASE NOTE:**

In the event you are experiencing any technical difficulties and you require additional assistance/ support with your product 'Mechanical/ Electrical' function - Please visit:

SUPPORT EMAIL: [support@bssbfurnitureinnovation.com](mailto:support@bssbfurnitureinnovation.com)

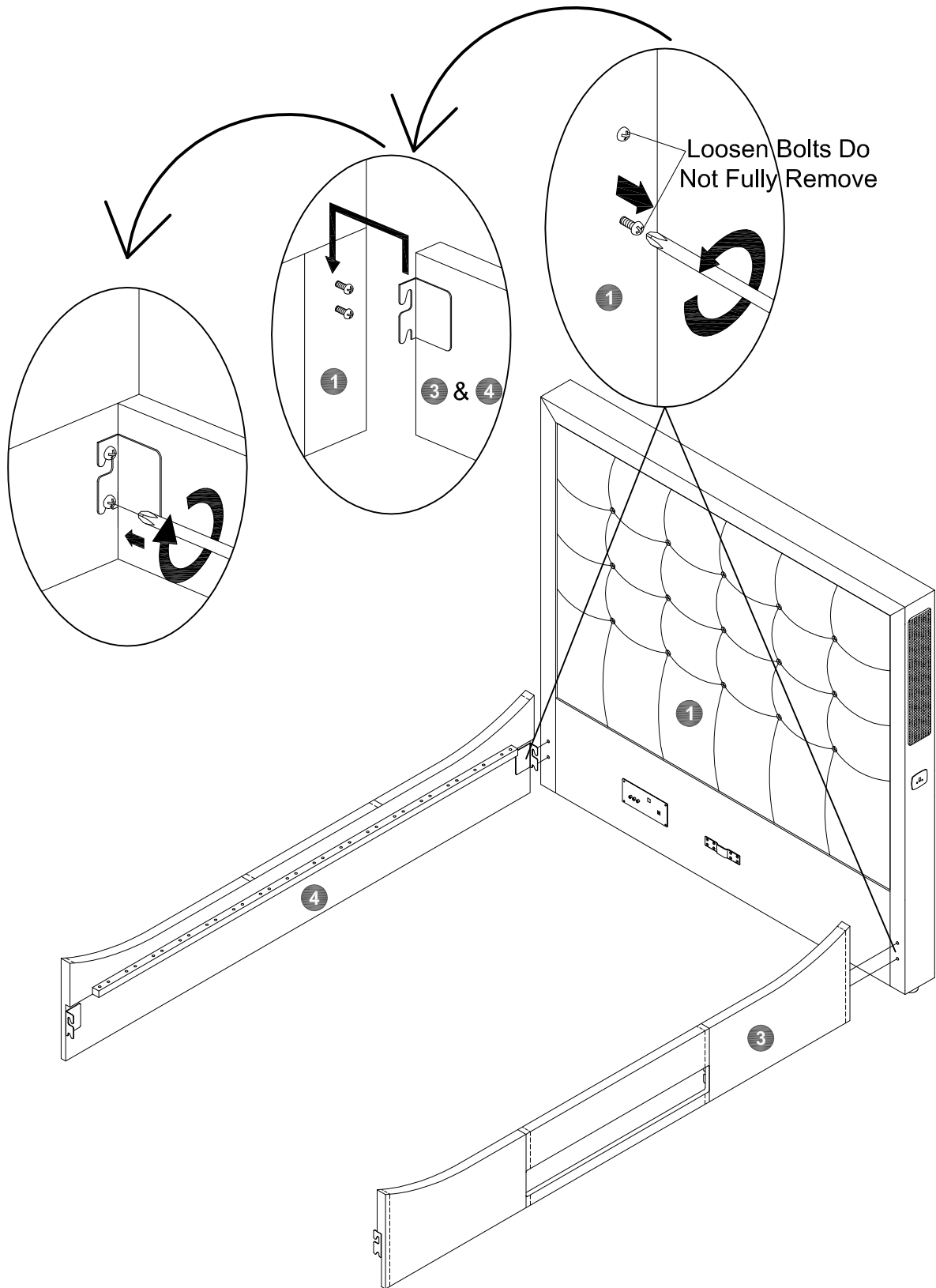
UK PRODUCT SUPPORT HOTLINE : 01462600064

Contact your retailer for all other issues such as damage, missing or faulty components ( non electrical ) or anything else of a non technical/electrical nature.

**DO NOT USE ANY POWER TOOLS AS THIS MAY DAMAGE THE FRAME AND WILL  
INVALIDATE ANY CLAIM**

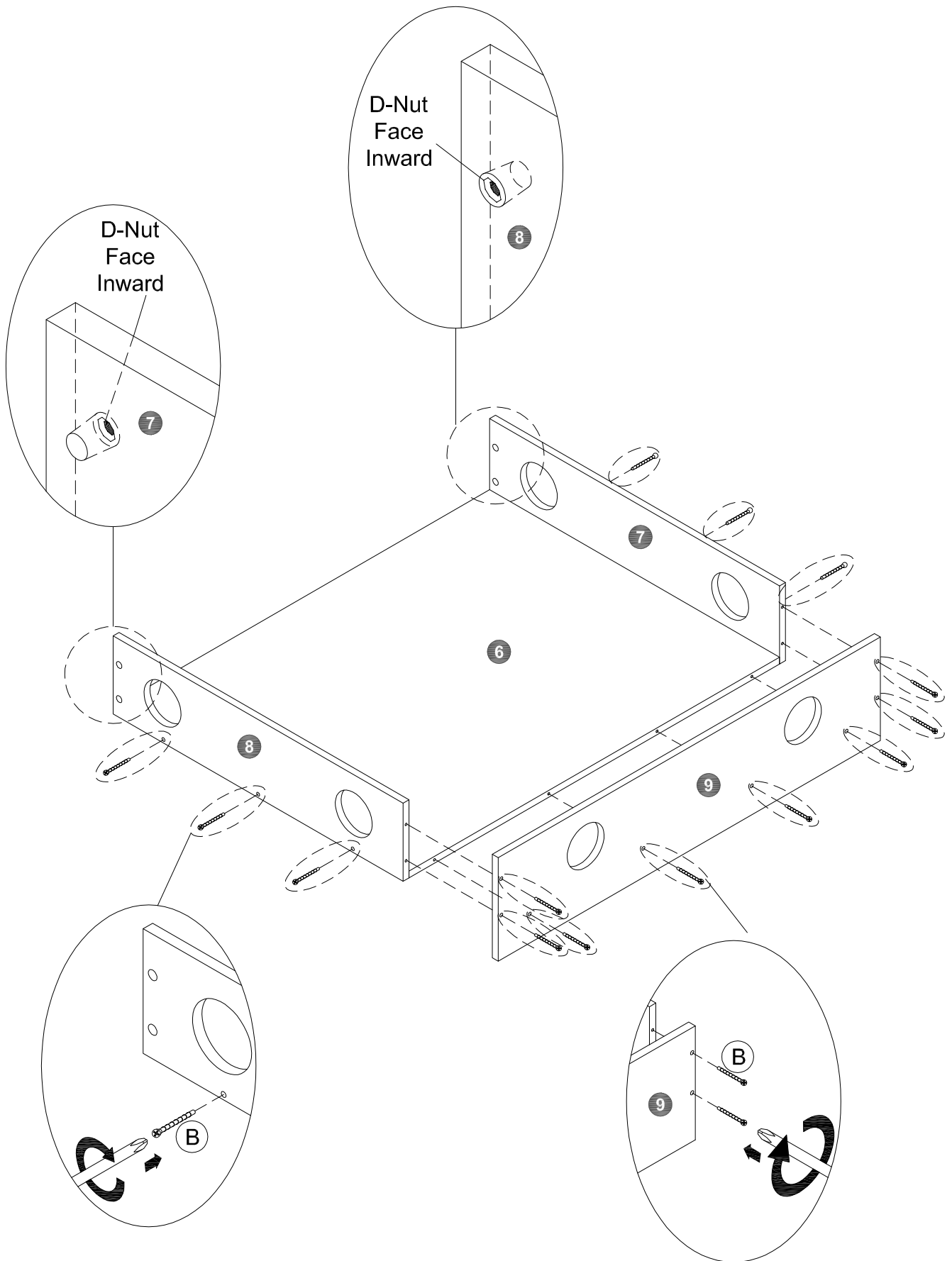
# STEP 1

- Before assembly please decide which side you require the "DVD / Media Compartment " Part '3' side rail with opening and place it at that side.
- Loosen the bolts located in the head end. (Note: only loosen the bolts Do NOT remove them.)
- Hook the side rail over the bolts as shown.
- Repeat the action on the opposite side.



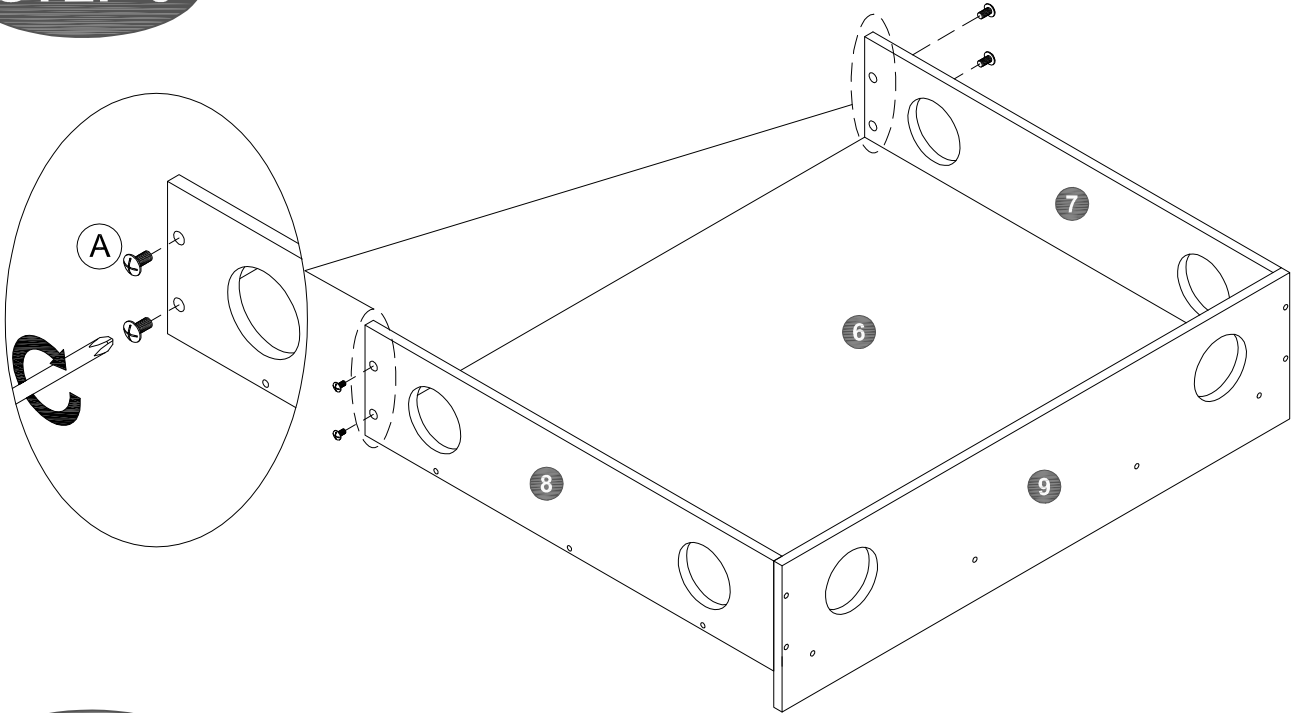
# STEP 2

- Attach "DVD / Media Compartment" side and back panels to "DVD / Media Compartment" base panel as shown.



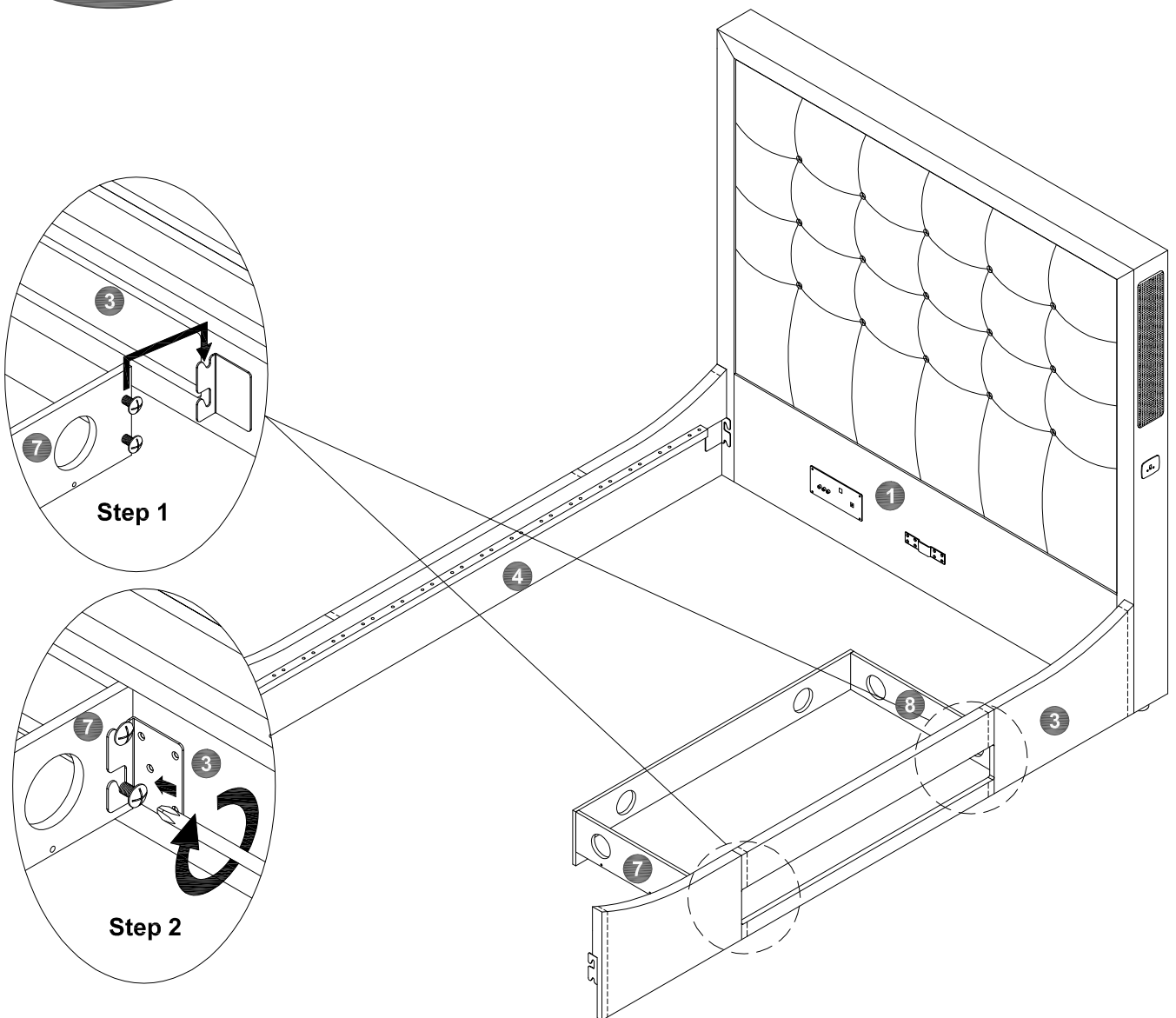
### STEP 3

• Attach the bolts to both side of "DVD / Media Compartment" side panels as shown.



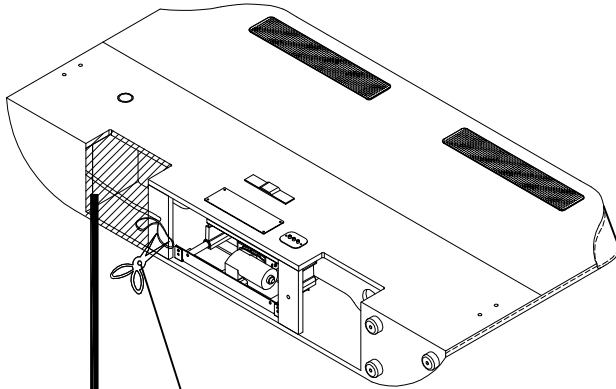
### STEP 4

• Attach the "DVD / Media Compartment" to the side rail as shown.



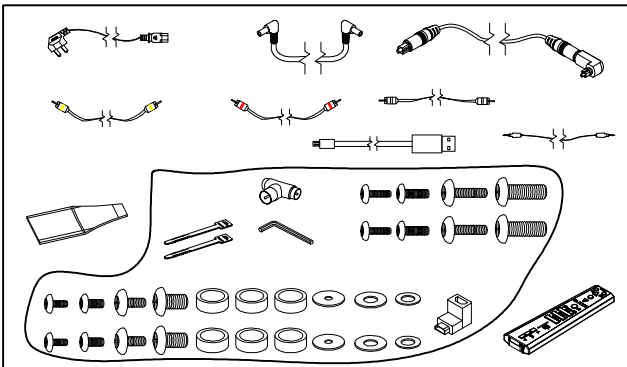
## STEP 5

- Carefully remove the footboard from carton 2, remove the Hardware Box and all extra transportation packaging from inside.
- To do this you will need to gently lay the foot end on it's back. Before doing so please ensure the area is completely free of anything that may cause damage or press into the fabric. Place a protective cover on the floor to avoid possible damage.
- The controls and hardware are held in place by string please carefully cut these and remove.

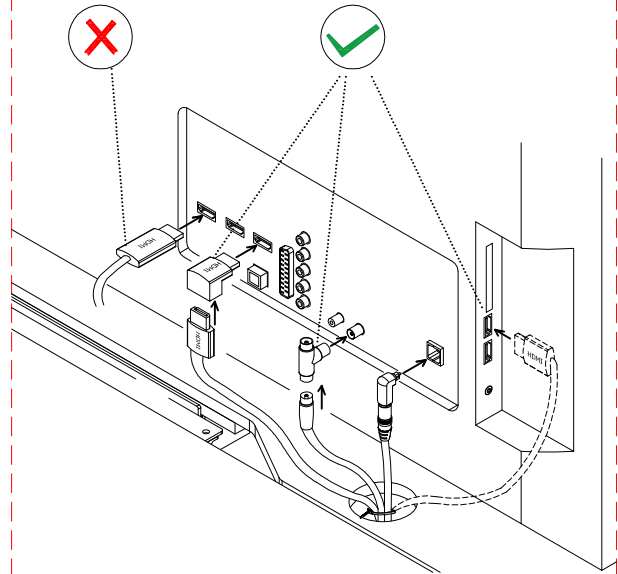


**CAUTION:**  
PLEASE USE SCISSORS TO CUT  
THE STRING.  
TAKE CARE WHEN REMOVING  
THE ACCESSORY BOXES NOT  
TO CATCH YOUR HANDS ON  
THE SIDES.

Hardware Box

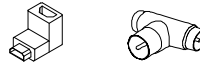


YOUR TELEVISION REAR VIEW  
HDMI CABLE PLUG POSITION POSSIBLE SCENARIO'S



**Attention Please Note : Connecting Your HDMI or Aerial Cable as shown in diagram (X) can seriously Damage Your TV sockets.**

To reduce this possibility we have supplied 90 degree adaptors for both HDMI and Aerial connections.



This will reduce the cable protrusion and lessen the possibility of the cable colliding with the bed frame.

**These can be found in the bed frame hardware pack located in Box B (foot end).** Please refer to the diagram above for the correct fitting of cables. More detailed information can also be found on page 19 (step 16) of your assembly instructions.

**The manufacturer or retailer will not accept responsibility for any damages arising from incorrect installation.**

## ATTENTION! PLEASE NOTE:

In the event you are experiencing any technical difficulties and you require additional assistance/ support with your product 'Mechanical/ Electrical' function - Please visit:

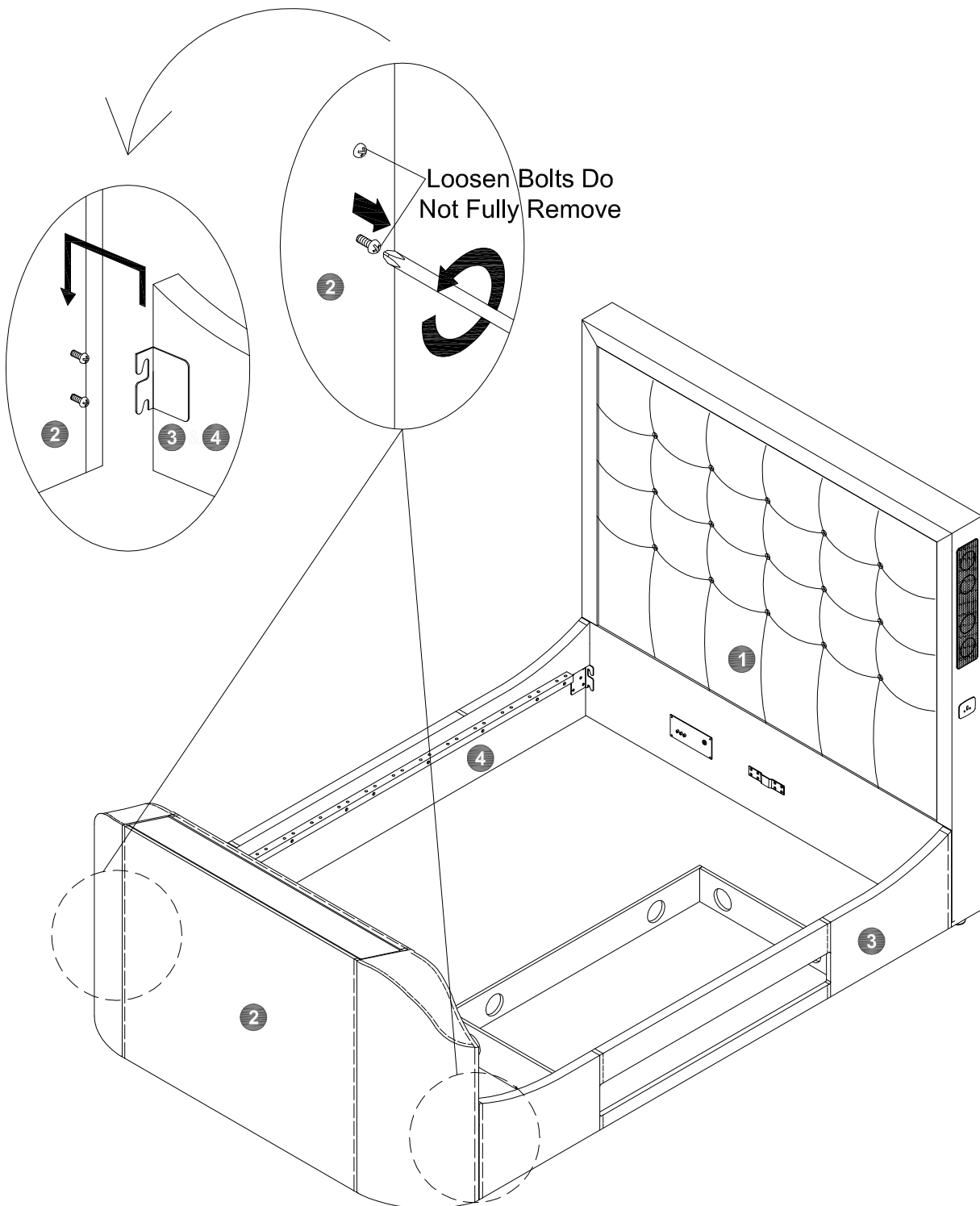
SUPPORT EMAIL: [support@bssbfurnitureinnovation.com](mailto:support@bssbfurnitureinnovation.com)

UK PRODUCT SUPPORT HOTLINE : 01462600064

Contact your retailer for all other issues such as damage, missing or faulty components ( non electrical ) or anything else of a non technical/electrical nature.

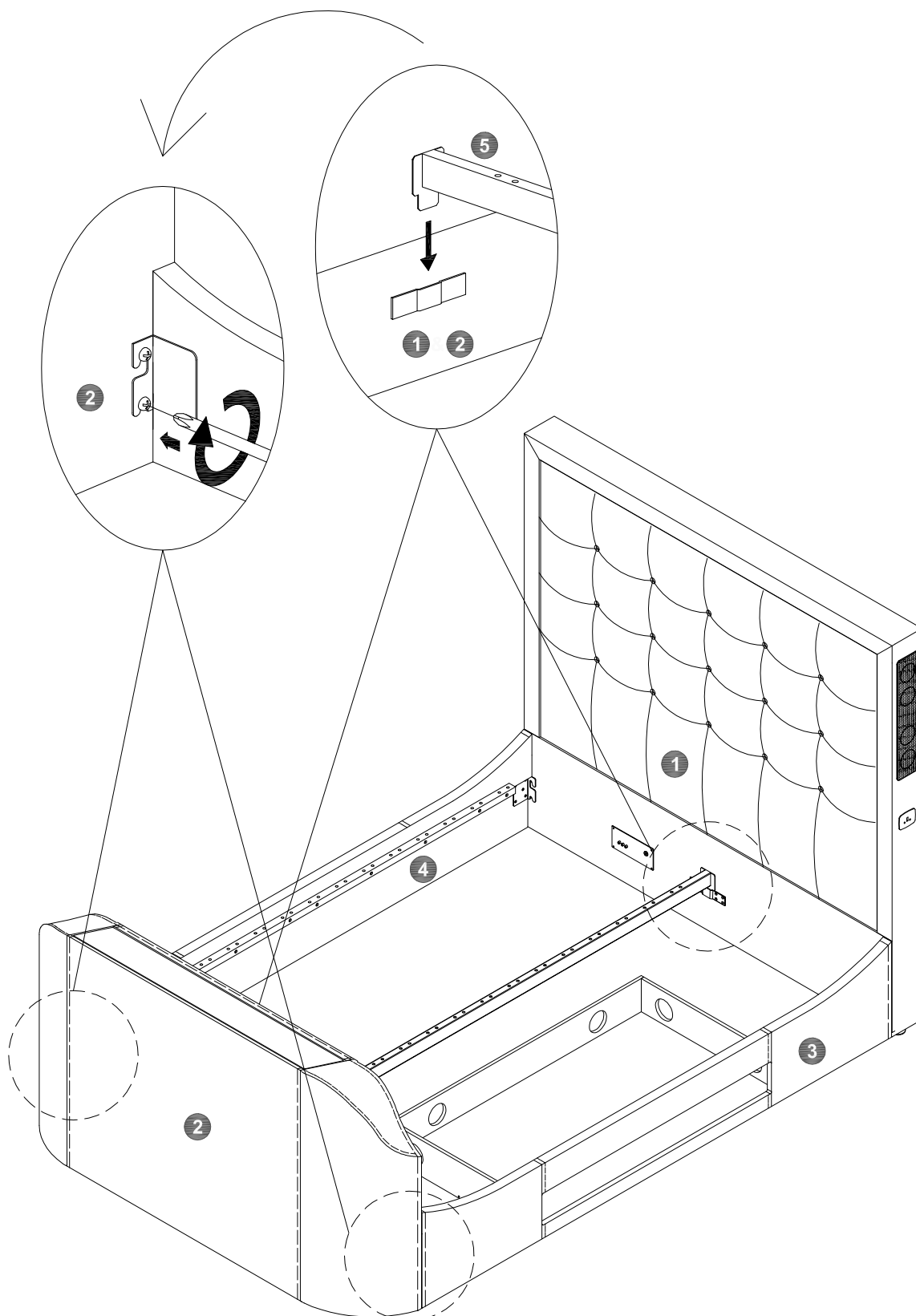
## STEP 6

- Carefully lift the foot end back to it's upright position.
- Loosen the bolts located in the foot end.
- Please note these should only be loosened and **NOT** removed.
- Hook the side rail brackets over the bolts on both sides.



## STEP 7

- Carefully slot the centre rail into the brackets on the head and foot end. Be very careful not to catch the head and foot ends with the centre rail tongue.
- Fully tighten all screws on the head and foot ends.





# STEP 8

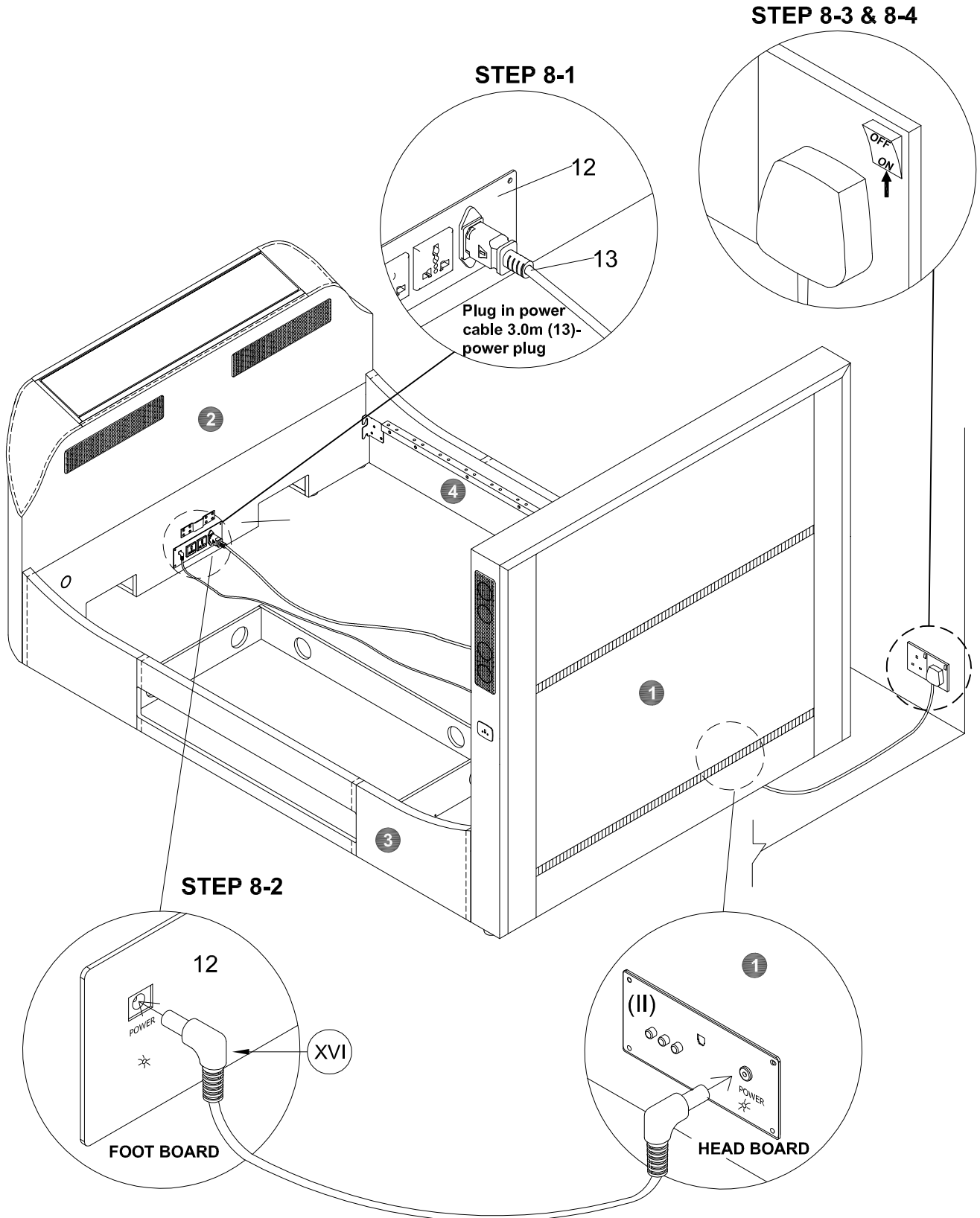
- **Connecting the TV mechanism cable as shown. It is essential that connecting to the power supply is done in this order. Failure to do so will result in damage to your product.**

**Step 8-1** Connect the Power Cable (13) to the power adapter (12), which is pre-installed in the footboard, as shown.

**Step 8-2** Connect the Power Cable (XVI) to the Headboard (1) & Footboard (2) as shown.

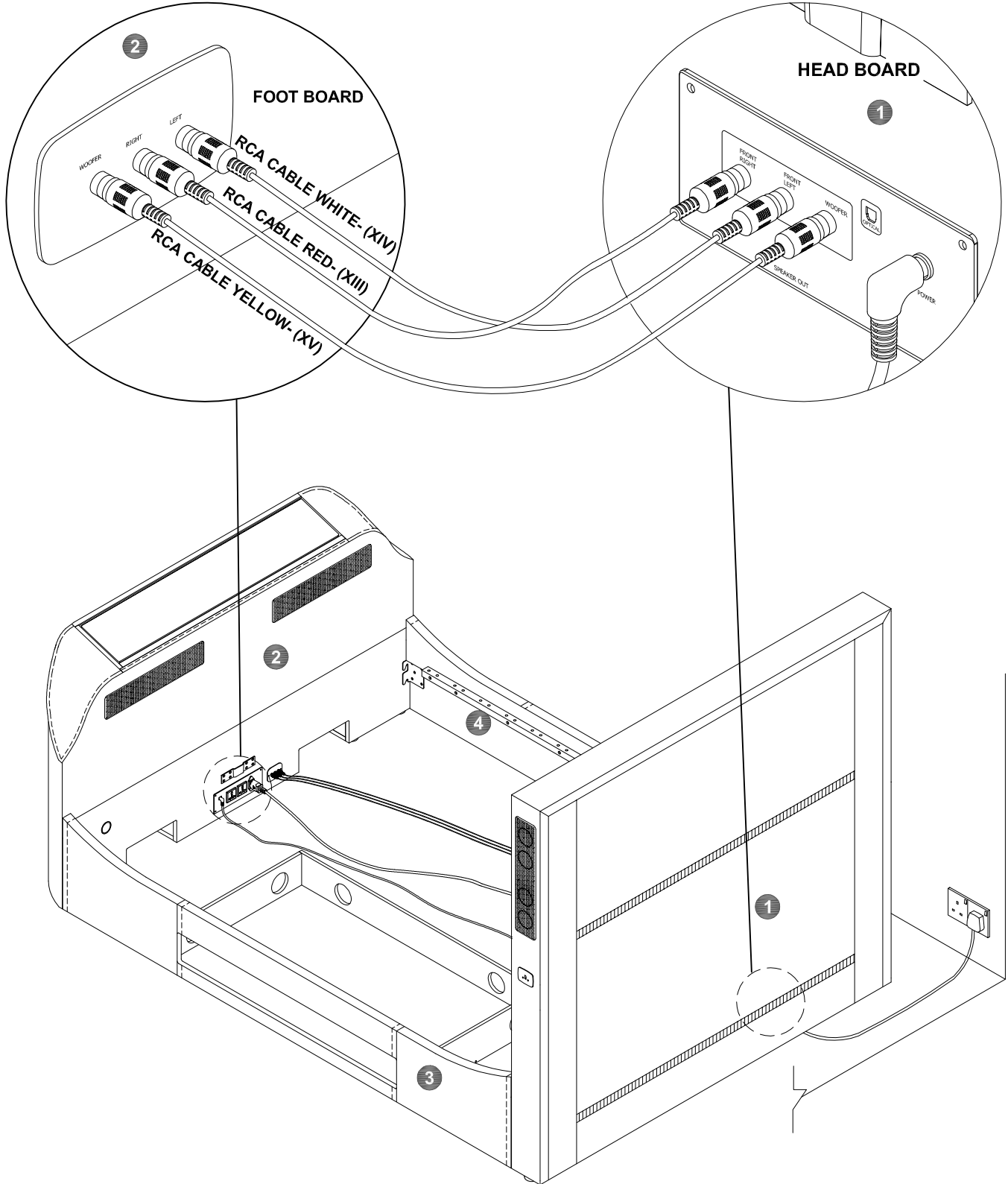
**Step 8-3** Connect the Power Cable (13) power plug to a working main power supply.

**Step 8-4** Switch on the main power supply, after 2~3 seconds you will hear the power on Audio notification. A red light will appear on power adapter (12) and Amplifier (II)



# STEP 9

- Connecting the RCA cable to headboard & footboard as shown. The colour of RCA cable must match with the footboard amplifier & headboard hub connections.

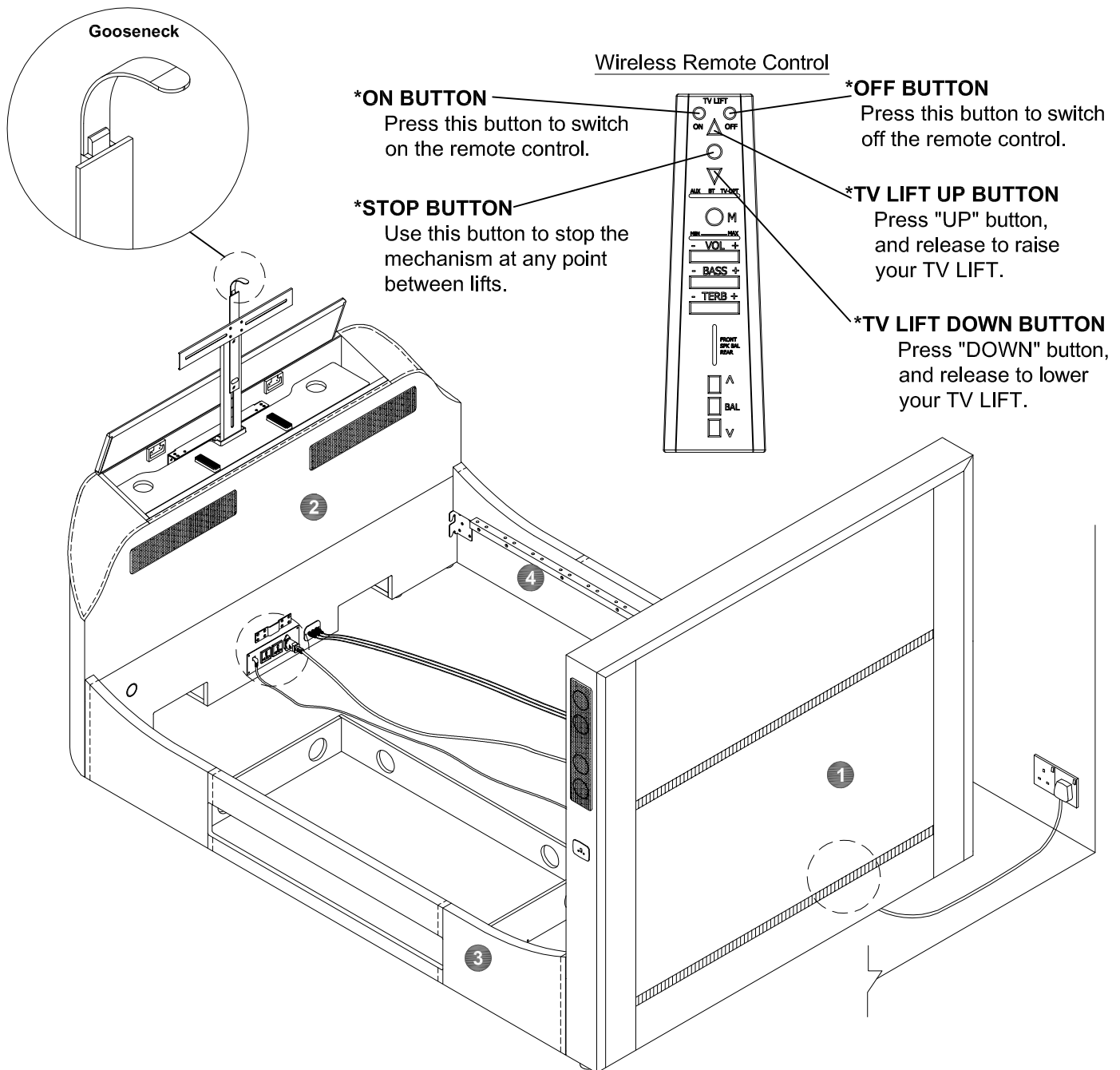


## STEP 10

- Remote Control Synchronization.
- **Please Note:** This product has a Radio Frequency Remote Control. This remote control operates both the TV Lift Mechanism and Speaker System.
- In order for the Remote Control to operate both components, a 'one time' Remote Control Synchronization is necessary.
- Once the bed is fully assembled and connected to a mains power supply. Ensure the power is switched 'off' at the mains power supply.
- Press the 'ON' Button at the Top of the Remote Control.
- Press and (continuously) hold the TV Lift 'UP' button on the Remote Control (While continuously pressing the 'UP' Button).
- Power on the mains power supply socket. (Do not take your finger off the Remote Control TV Lift 'UP' Button)
- Only release the TV Lift Up Button Once the TV Lift starts to operate (Should not take any longer than 5 seconds!).

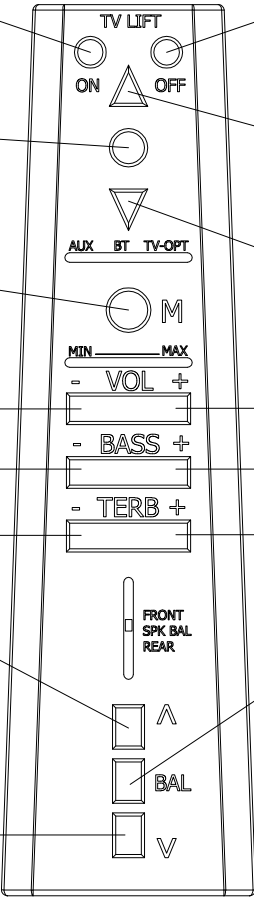
Repeat if necessary.....

In the event the remote control is not synchronizing with the TV Lift & Speaker System.  
Please contact UK Support: 01462 600 064



# STEP 11

- Audio system wireless remote control detail.
- Please fully charge wireless remote control.



**\*REMOTE CONTROL (ON BUTTON)**  
Press this button to switch on the remote control.

**\*STOP BUTTON**  
Use this button to stop the mechanism at any point between lifts.

**\*MODE BUTTON**  
Use this button to switch to other media devices (as option : AUX, BT, TV-OPT)

**\*VOLUME (MINUS BUTTON)**

**\*BASS (MINUS BUTTON)**

**\*TREB (MINUS BUTTON)**

**\*SPEAKER (FRONT BUTTON)**  
Use this button to reduce sound from headend speaker and prioritise the footend speaker.

**\*SPEAKER (REAR BUTTON)**  
Use this button to reduce sound from footend speaker and prioritise the headend speaker.

**\*CHARGING (INDICATOR LIGHT)**  
\*Red when charging  
\*Blue when fully charged

**\*BATTERY CLIP**  
To fit the battery.

**\*REMOTE CONTROL (OFF BUTTON)**  
Press this button to switch off the remote control.

**\*TV LIFT UP BUTTON**  
Press "UP" button, and release to raise your TV LIFT.

**\*TV LIFT DOWN BUTTON**  
Press "DOWN" button, and release lower your TV LIFT.

**\*VOLUME (PLUS BUTTON)**

**\*BASS (PLUS BUTTON)**

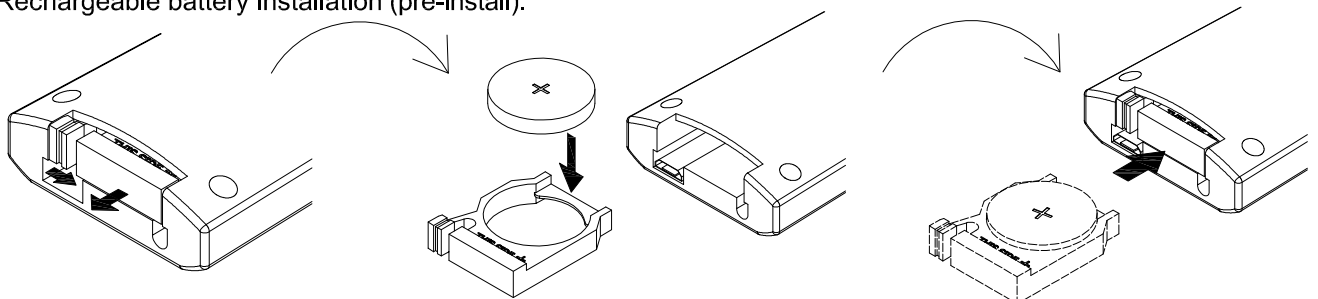
**\*TREB (PLUS BUTTON)**

**\*SPEAKER (BALANCE BUTTON)**  
This button will balance both head-end & foot-end speaker to 50/50.

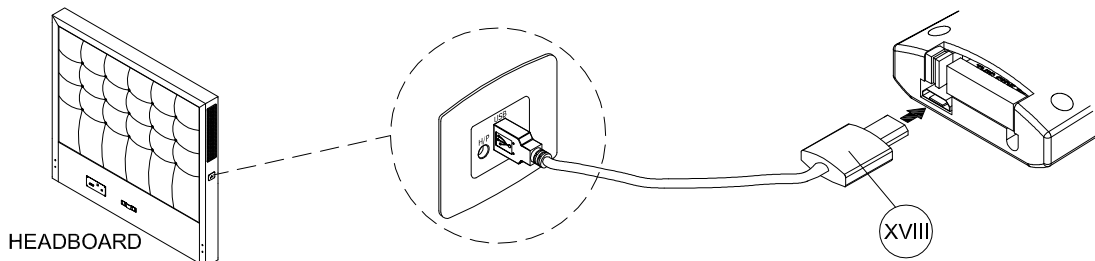
**\*MICRO- B (FEMALE) PORT**  
Compatible with all USB micro-B (Male) charger cable/ android charger cable.  
**(CHARGER CABLE PROVIDED)**  
**(DO NOT USE THIS CABLE TO CHARGE OTHER DEVICES)**

**Note : When battery is low the LED light will flash continuously and indicate that the remote control needs to be charged.**

- Rechargeable battery installation (pre-install).



- Use the cable provided (XVIII) to charge the wireless remote control (XVII).

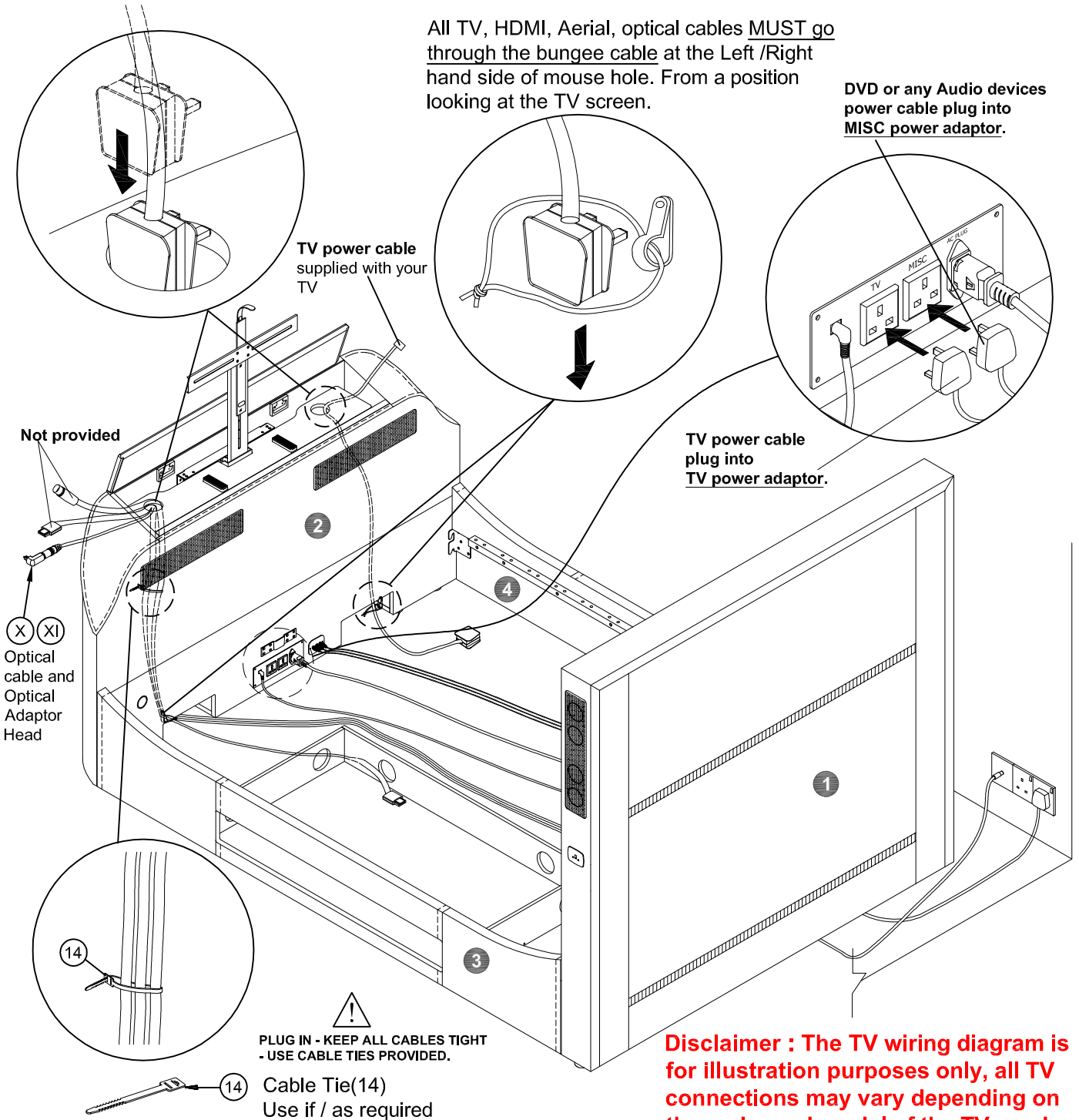


# STEP 12

- Cable connection plan. Make sure you have all the relevant cable connections required (HDMI cable, TV Aerial cable, TV power cable, Optical cable etc...) before you install the TV.
- The cable management holes are to help you to manage the cable and keep them tidy and free from snags. Pass all cables cleanly through these holes. While ensuring any cable slack is taken up from the bottom end of the footboard.
- The bed power supply unit (12) has a socket marked 'TV'. This is the power point for the TV power. This feature allows the TV to power on & off automatically. This is achieved by a unique cut off function for when the TV is lowered and auto power on for when it is raised.

All TV, HDMI, Aerial, optical cables MUST go through the bungee cable at the Left /Right hand side of mouse hole. From a position looking at the TV screen.

DVD or any Audio devices power cable plug into MISC power adaptor.



**Disclaimer : The TV wiring diagram is for illustration purposes only, all TV connections may vary depending on the make and model of the TV used.**

Place all cables through the 'Cable Management' holes to prevent any damage to the cable when the TV Lift Mechanism is operating. Make sure all your the cables are long enough to let the TV Lift Mechanism move freely.

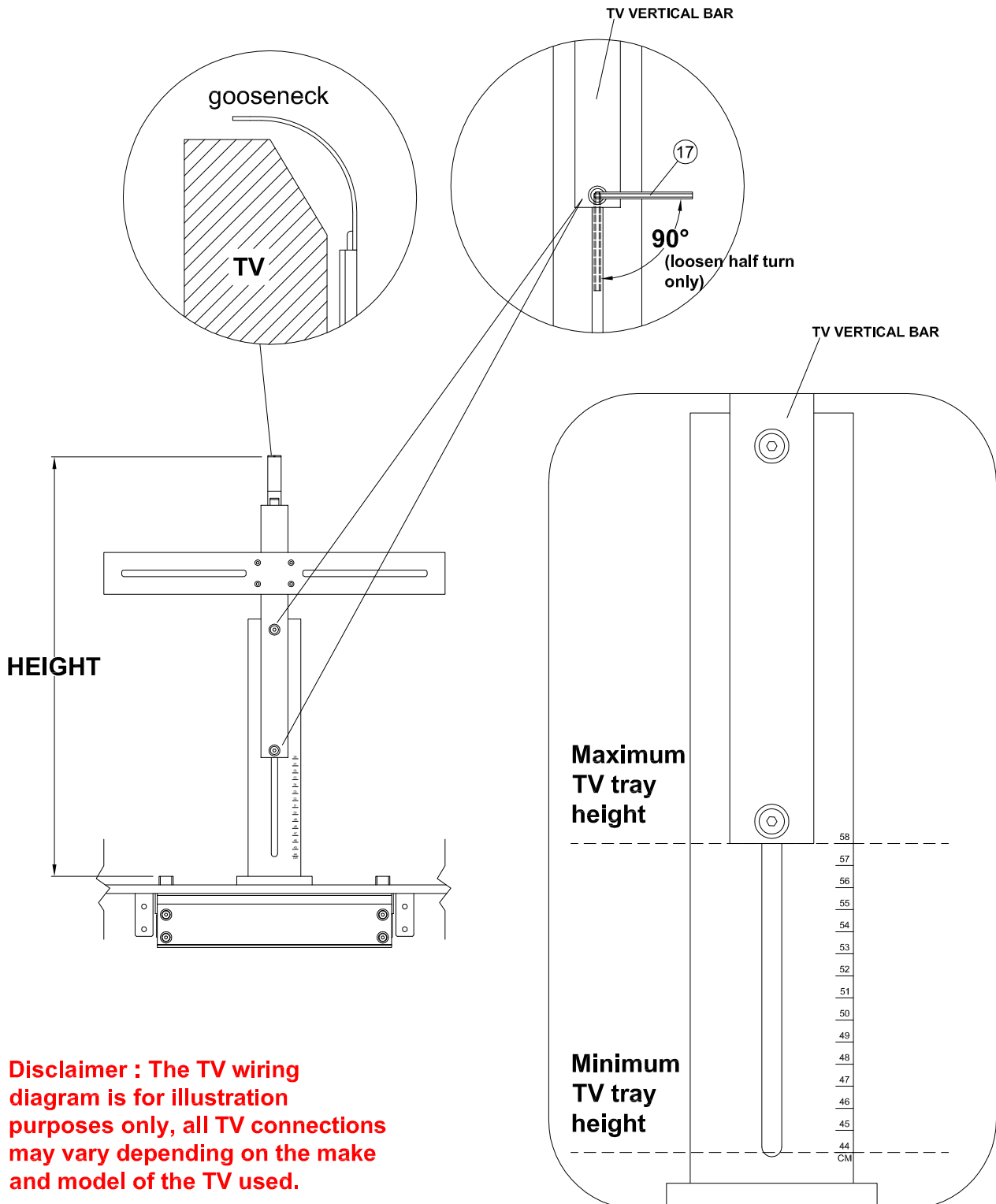
All the cables MUST be carefully pulled and fully extended.

Group the cables together as required below the TV Tray using cable tie (14) provided.

## STEP 13

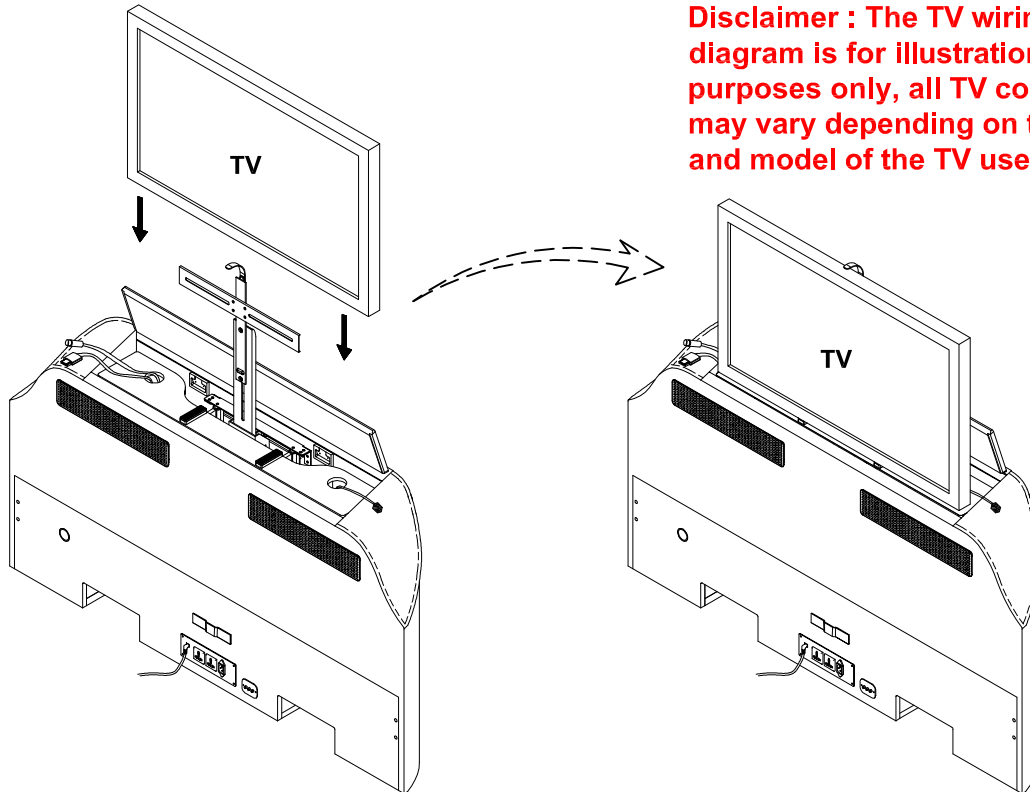
- Adjust the TV tray to suit the height of your TV (without stand). Please follow step below
  - 13.1 : Make a note of the height (without stand!) of your television.
  - 13.2 : Use the Allen key (17) to slightly loosen the bolts-half turn only, do not remove all. (Please refer diagram below)
  - 13.3 : Slide "UP/ Down the TV vertical bar to using the measure line to match the noted height of your TV, then fully tighten the bolts.
  - 13.4 : When the TV is mounted it should sit neatly just underneath the Gooseneck.

**Note: The minimum height of the TV Tray is 440mm which accommodates any of the smaller TV heights (without stand) below 440mm.**



## STEP 14

- You are now ready to install your TV.
- Raise the mechanism to it's highest position.
- While standing behind your television (on the outside end of the footboard).
- Carefully place the TV on top of the two rubber TV mounting pedestals - ensuring the Gooseneck arm is perfectly in line with the horizontal 'centre' of the TV.



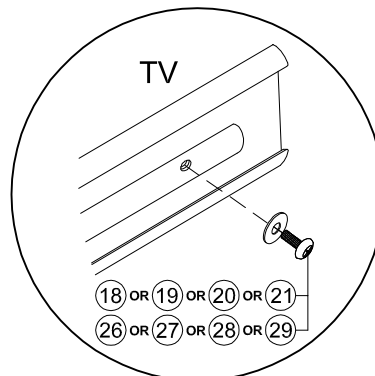
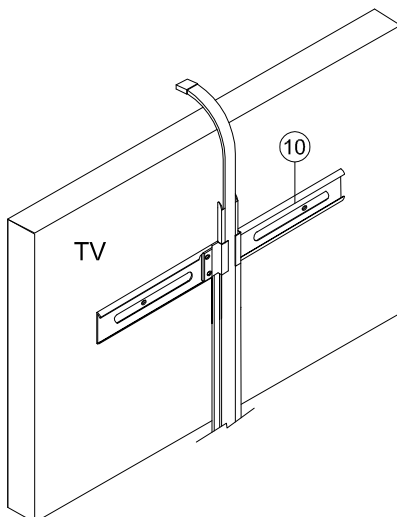
**Disclaimer : The TV wiring diagram is for illustration purposes only, all TV connections may vary depending on the make and model of the TV used.**

## STEP 15

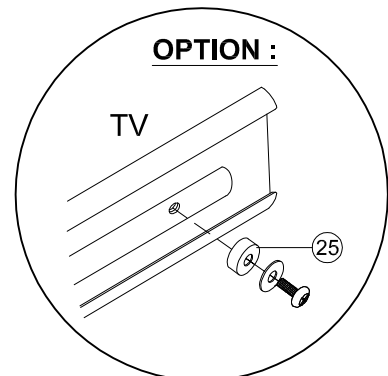
- TV Flat Bracket (vesa bracket).

Please note : Item (18-21) or (26-29) screws have been supplied to fit most TV models. However sizes may vary depending on the TV model. If smaller or larger size screws are required these should be source from your local hardware store or TV specialist. Washers may also be required. Your retailer may also supply alternative fixings depending on the TV model supplied at the time.

**Disclaimer : The TV wiring diagram is for illustration purposes only, all TV connections may vary depending on the make and model of the TV used.**



BOLT	18	19	20	21
BOLT	26	27	28	29
WITH				
WASHER	22	22	23	24

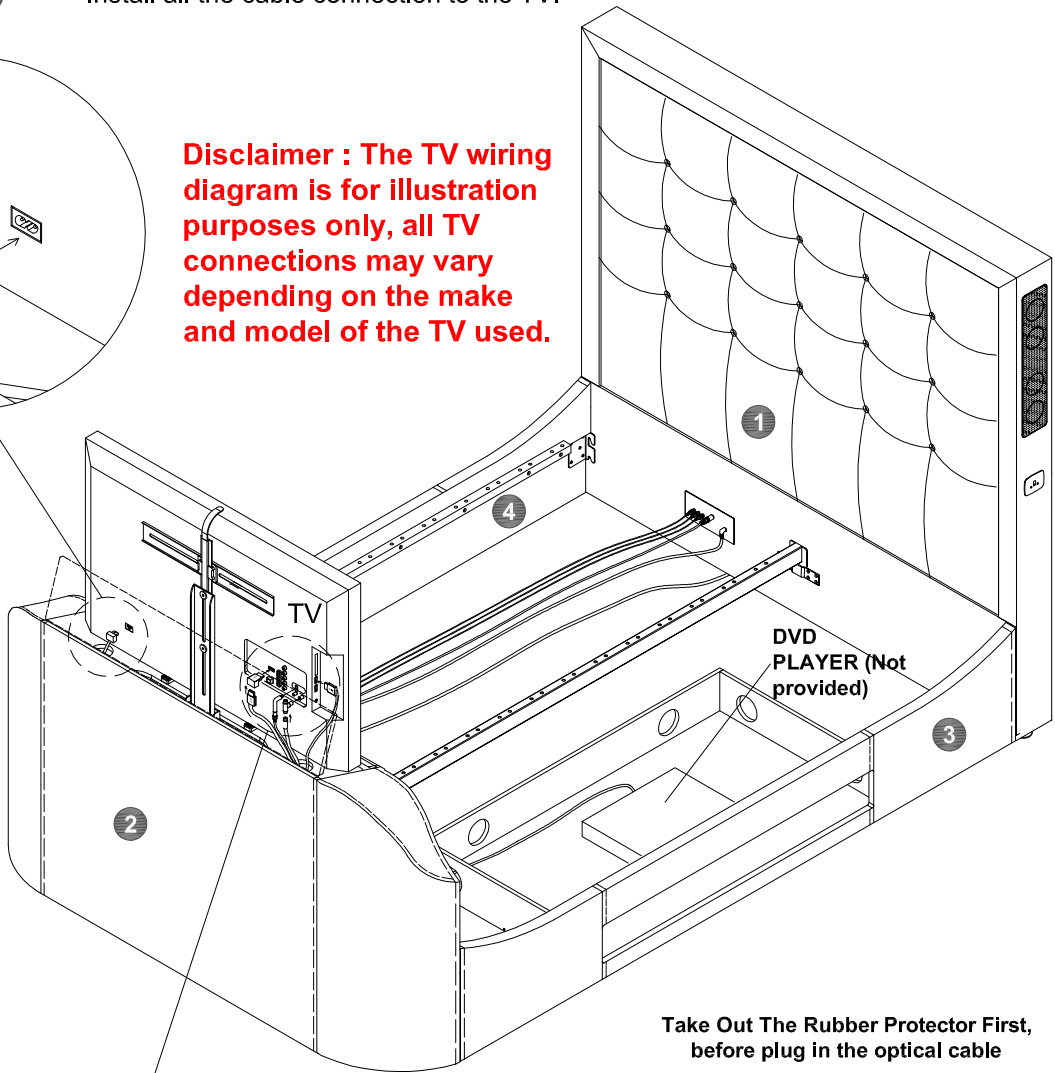
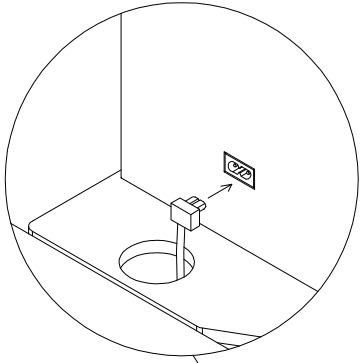


In the event you find the screws are too long for the TV with bracket please use Plastic collar (25) if required.

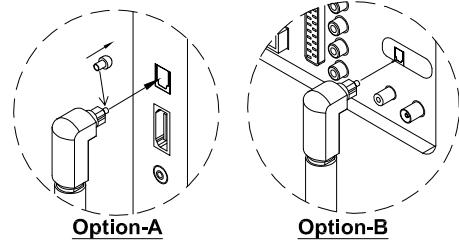
# STEP 16

- Install all the cable connection to the TV.

**Disclaimer : The TV wiring diagram is for illustration purposes only, all TV connections may vary depending on the make and model of the TV used.**



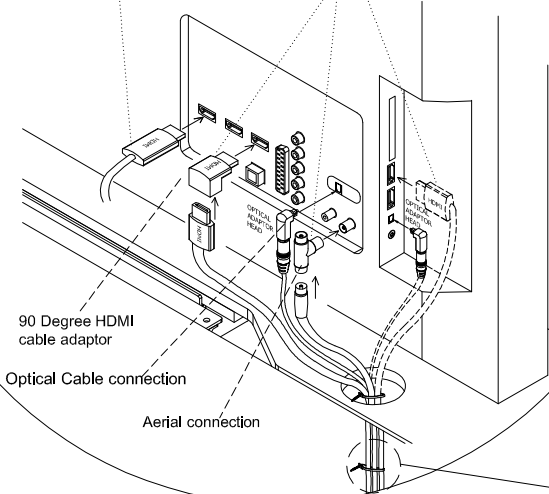
**Take Out The Rubber Protector First, before plug in the optical cable**



**Option-A**

**Option-B**

**YOUR TELEVISION REAR VIEW  
HDMI CABLE PLUG POSITION POSSIBLE SCNARIO'S**



**Attention Please Note : Connecting Your HDMI or Aerial Cable as shown in diagram (X) can seriously Damage Your TV sockets.**

To reduce this possibility we have supplied 90 degree adaptors for both HDMI and Aerial connections.



This will reduce the cable protrusion and lessen the possibility of the cable colliding with the bed frame. **These can be found in the bed frame hardware pack located in Box B (foot end).** Please refer to the above diagram for the correct fitting of cables. More detailed information can also be found on above diagram of your assembly instructions.

**The manufacturer or retailer will not accept responsibility for any damages arising from incorrect installation.**



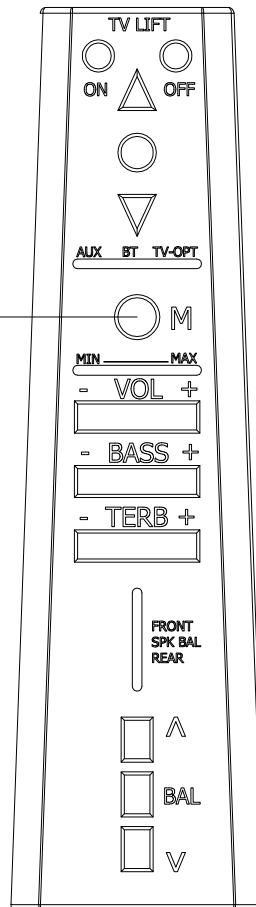
**NOTE: The cables port for television, DVD, TV aerial etc may not be the same as shown above and vary depending on TV model.**



## STEP 17

- Wireless remote control "**MODE BUTTON**" introduction.

**\*MODE BUTTON**  
Use this button to switch  
to other media devices  
(as option : AUX, BT, TV-OPT SOUND)



### Step 17-1 Playing audio files through **AUX** connection.

- Press the Mode Button on wireless remote control to select **AUX function** (Audio select).
- Using the JACK AUX Cable (XII) plug directly into any audio device that has a headphone socket and plug the opposite end into side of head-end (A) to deliver wired audio, in the event you have chosen not to connect wirelessly via Bluetooth.
- Please use volume, base and treble buttons on you wireless remote control to select your preferred acoustic sound level.

### Step 17-2 Playing audio files through **BLUETOOTH** connection.

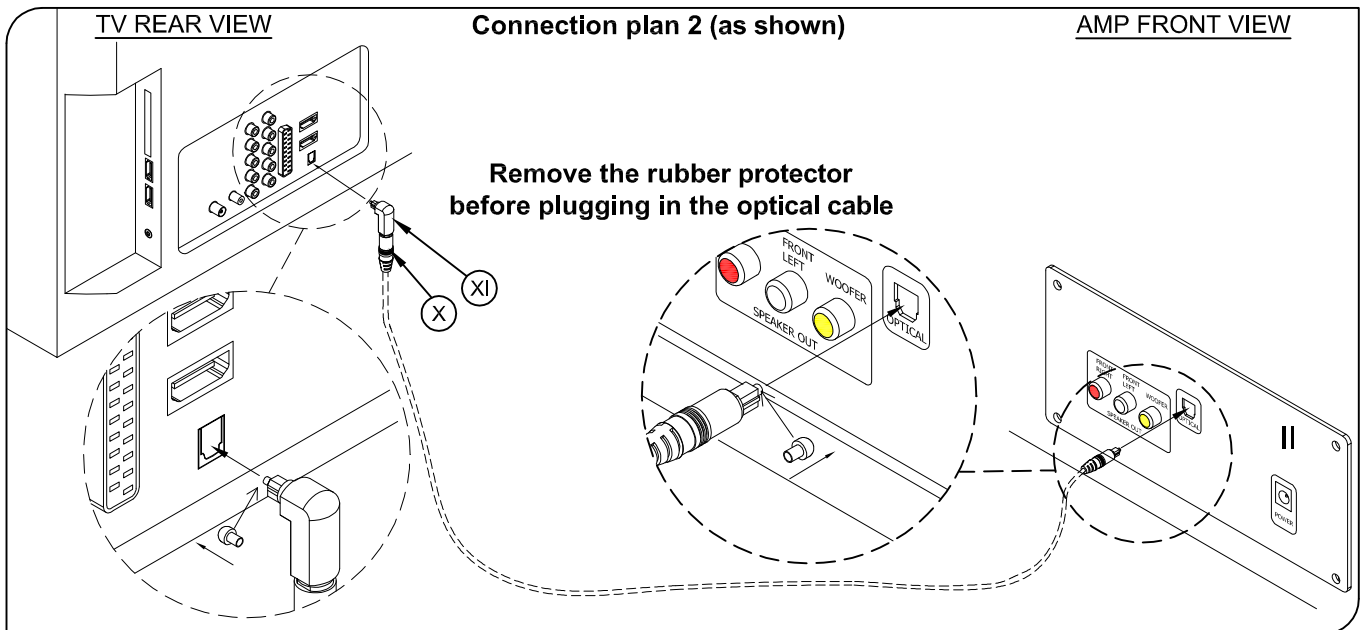
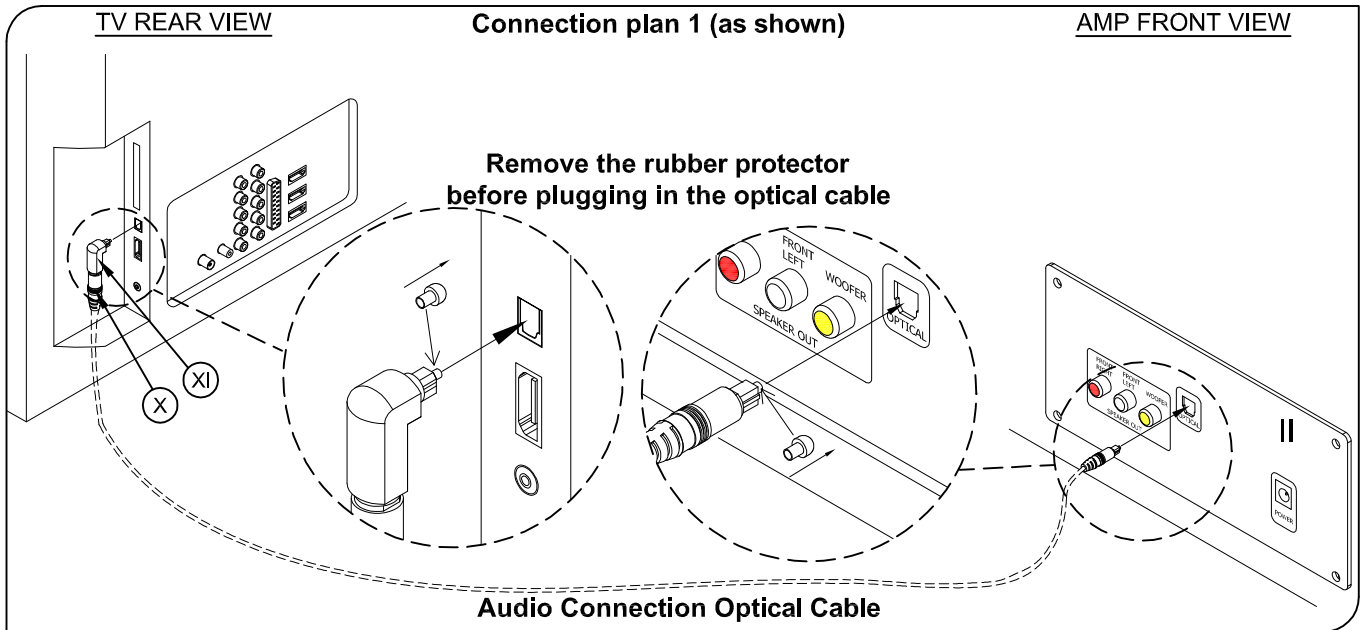
- Press the Mode Button on wireless remote control until BT is highlighted on the wireless remote indicator.
- Once you have prepared your device to search for a bluetooth (wireless) device - your device will show up as "**BSSB 4.1**". Select (PAIR/ CONNECT) with BLUETOOTH. Once your device has successfully connected to your audio system, you can hear the audio notification bleep - this confirms the Bluetooth is enabled and ready to use.
- Please ensure you device volume is turned up at least half way and the B/T function is selected.
- You can simply use your devices music player to play the sound - **ENJOY**.
- Please use volume, base and treble buttons on you wireless remote control to select your preferred acoustic sound level.

**Bluetooth Connection Notification:** The bluetooth is only able to connect/ pair with one device at a time. In the event you wish to connect/ pair an alternative/ additional Bluetooth compatible device, please firstly disconnect the bluetooth connection between your current device and the audio system. Then again repeat the above steps.

In scenarios where BT connection repeatedly fails, power Off/On the speaker system and turn BT Off/On on other device. Try again.

**Step 17-3 Playing audio files through TV-OPT SOUND connection.**

- Connecting your TV to the TV bed speaker system.

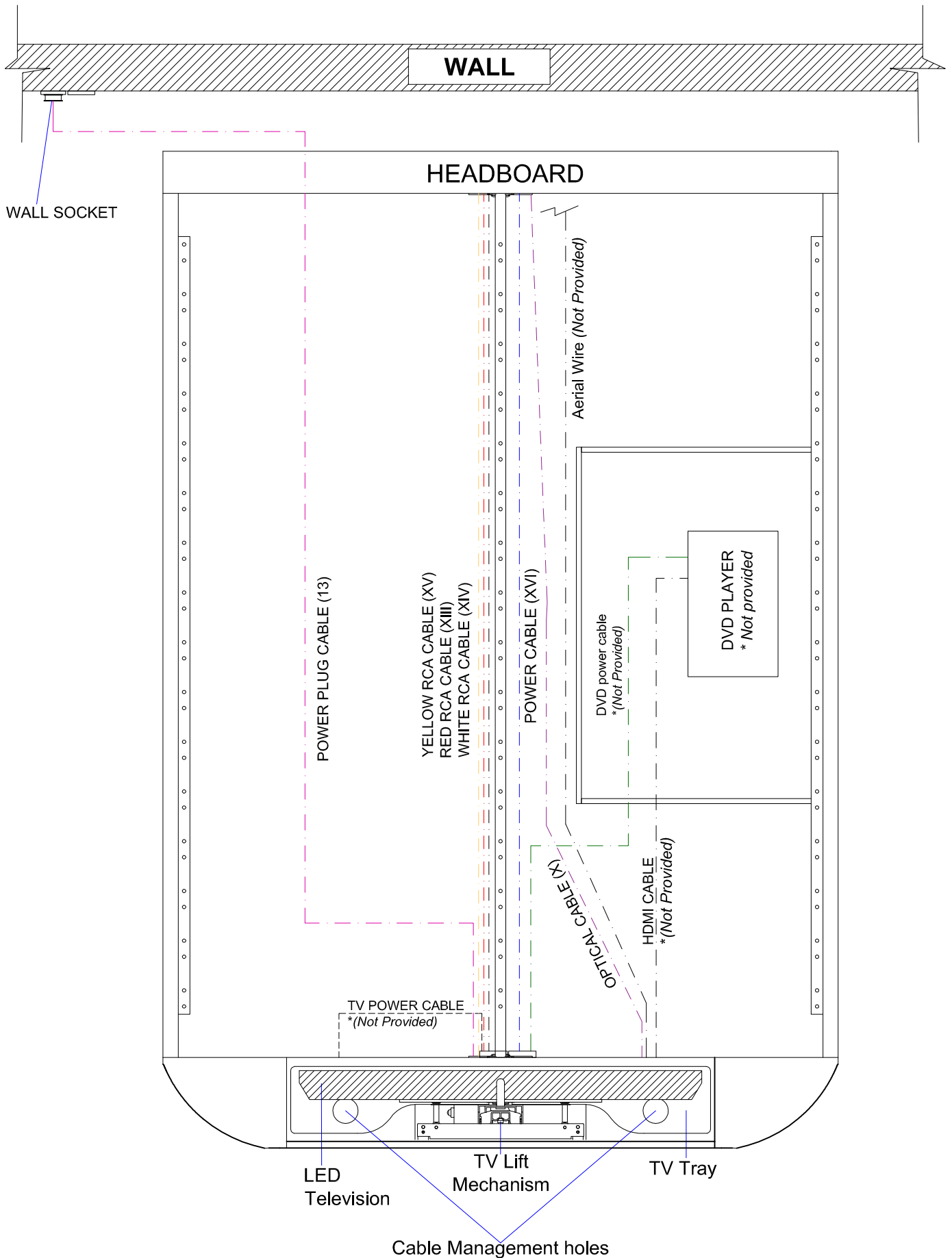


- Your TV bed system is now ready to play audio from you television.
- Press the Mode Button on wireless remote control to select TV-OPT SOUND function.
- Turn the TV "ON" (ensure it is playing an audio/ video "broadcast")
- You should now be able to hear the sound from the TV, speaker and woofer.
- Please use volume, base and treble buttons on you wireless remote control to select your preferred acoustic sound level.

**Disclaimer : The TV wiring diagram is for illustration purposes only, all TV connections may vary depending on the make and model of the TV used.**

# STEP 18

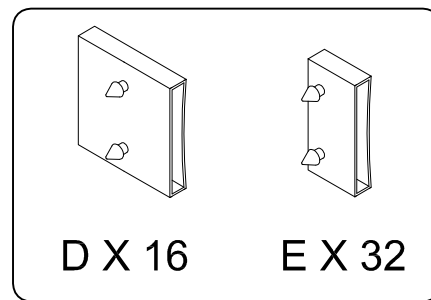
- Detail connection plan.



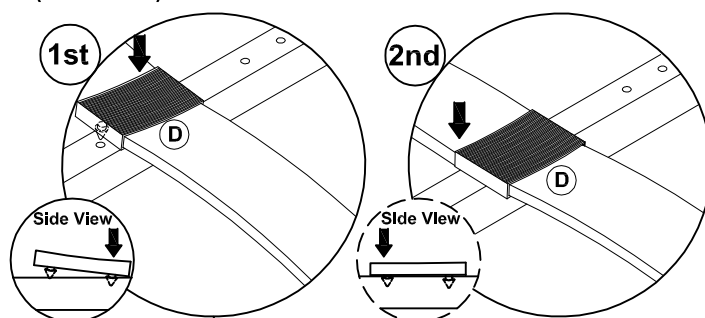
\* The TV main supply cable can be put on either the left or the right side depending on the TV port location.

# STEP 19

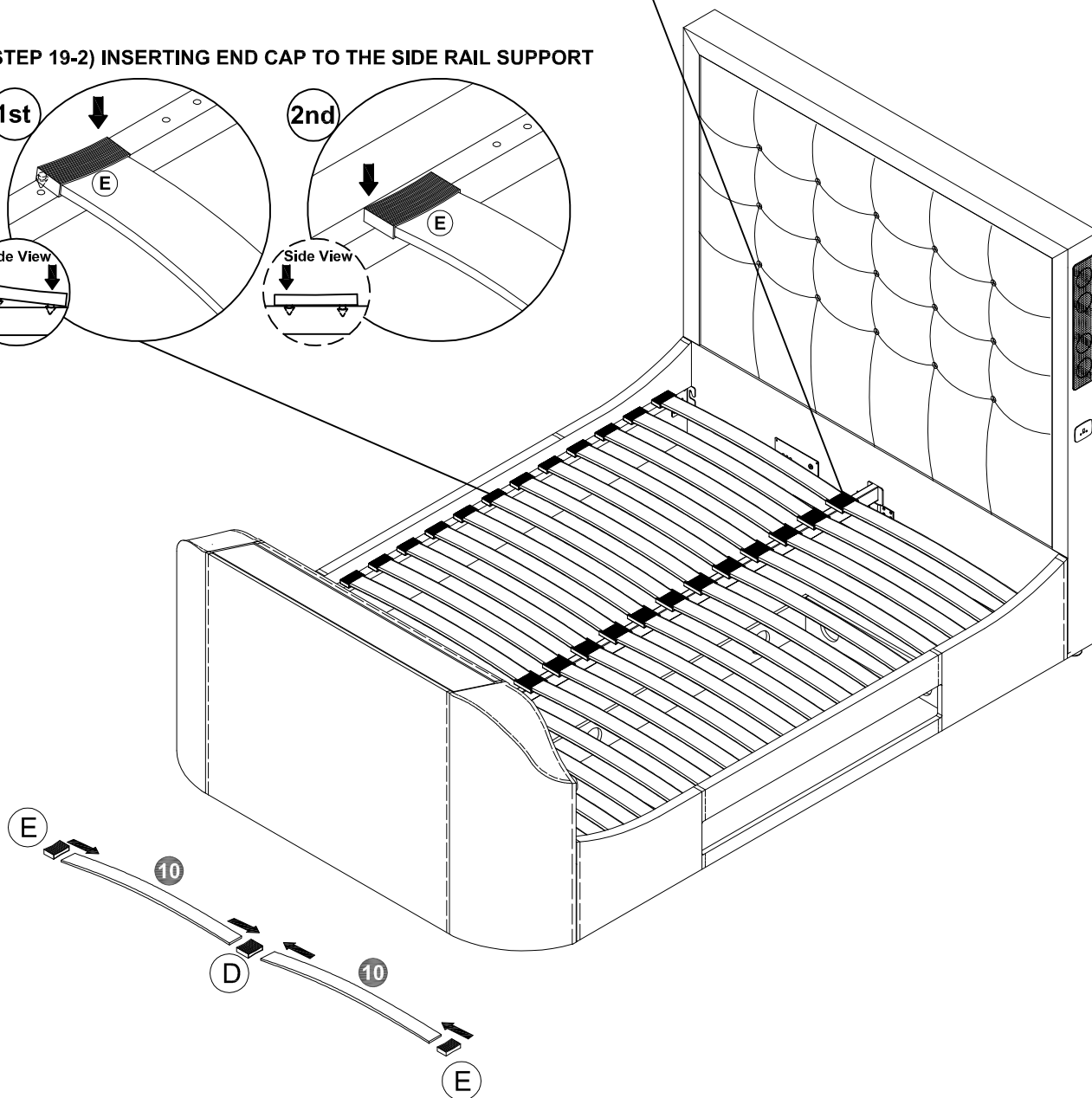
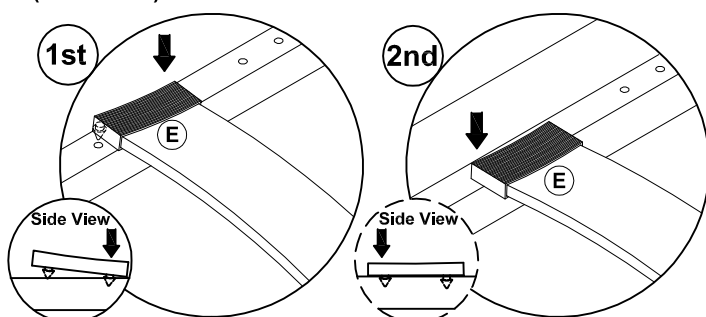
- Attach the middle cap and the end cap to the slat.
  - Push the middle cap into the center rail first, ensuring the slat is arched upwards. Then attach the end caps to the side rail supports as shown in step 19-1 & step 19-2.
- \* PLEASE REFER TO STEP 21, IF YOU WISH TO DISASSEMBLE THE SLAT CAPS FROM THE BED.



(STEP 19-1) INSERTING MIDDLE CAP TO THE CENTRE RAIL

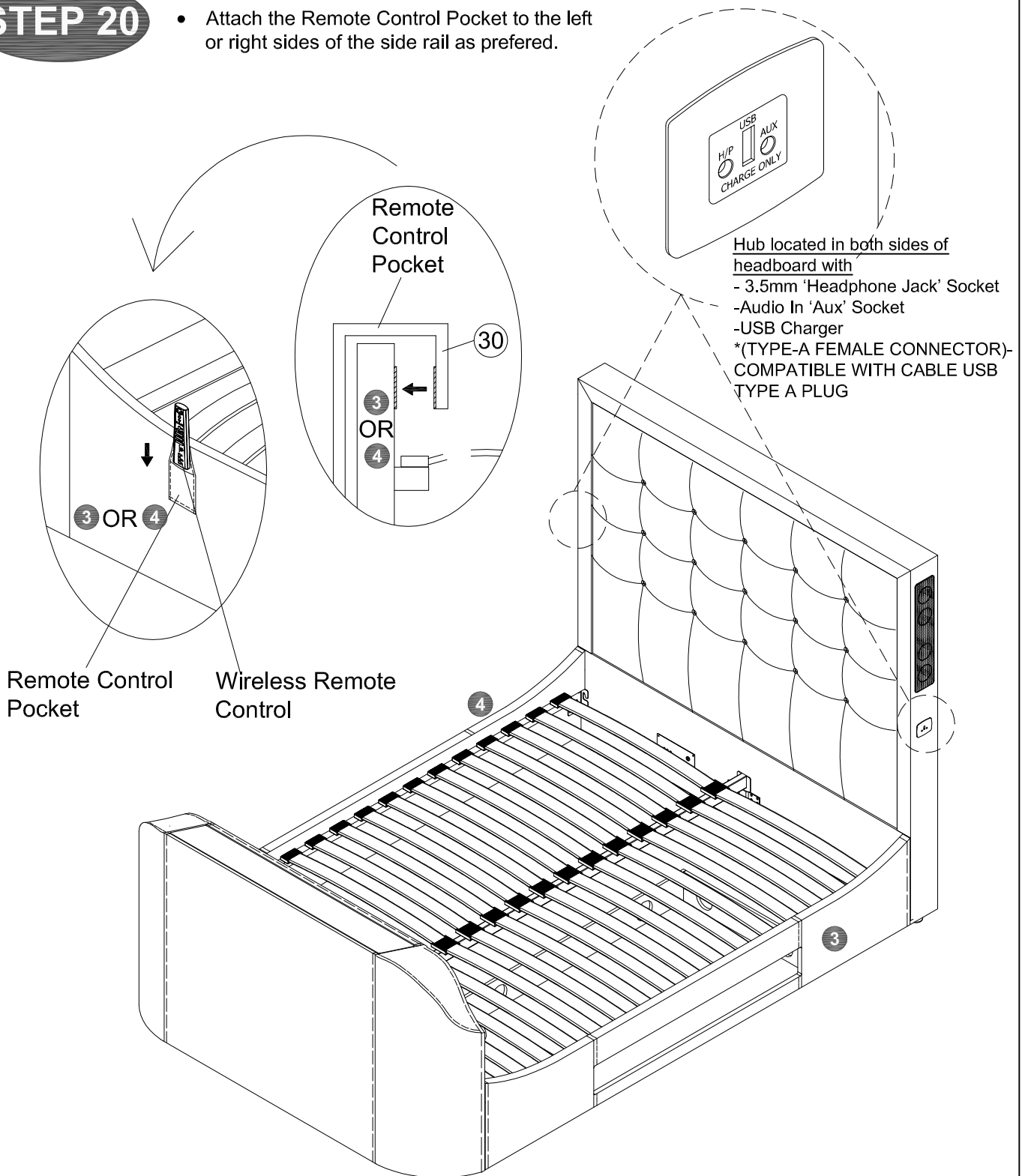


(STEP 19-2) INSERTING END CAP TO THE SIDE RAIL SUPPORT



## STEP 20

- Attach the Remote Control Pocket to the left or right sides of the side rail as preferred.



### ATTENTION! PLEASE NOTE:

In the event you are experiencing any technical difficulties and you require additional assistance/ support with your product 'Mechanical/ Electrical' function - Please visit:

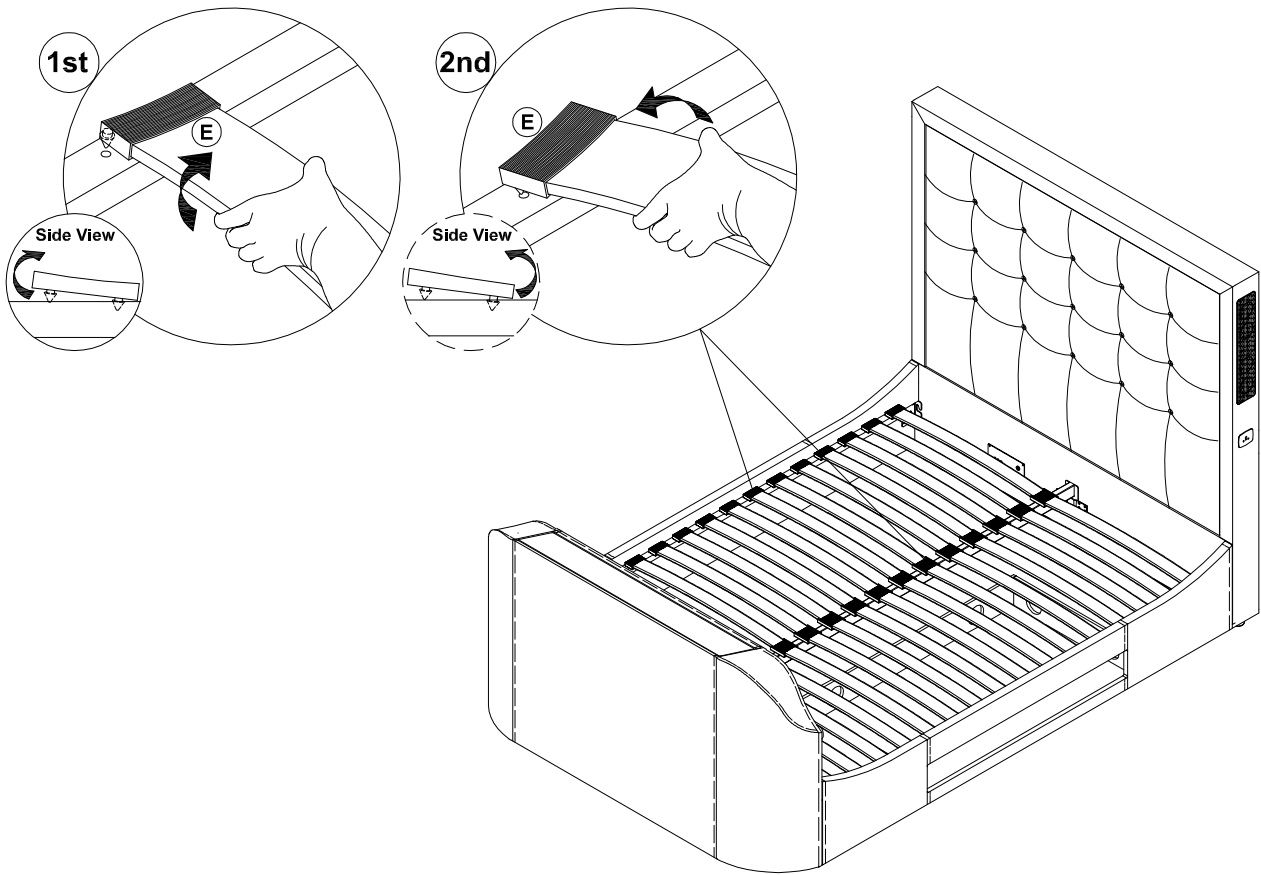
SUPPORT EMAIL: [support@bssbfurnitureinnovation.com](mailto:support@bssbfurnitureinnovation.com)

UK PRODUCT SUPPORT HOTLINE : 01462600064

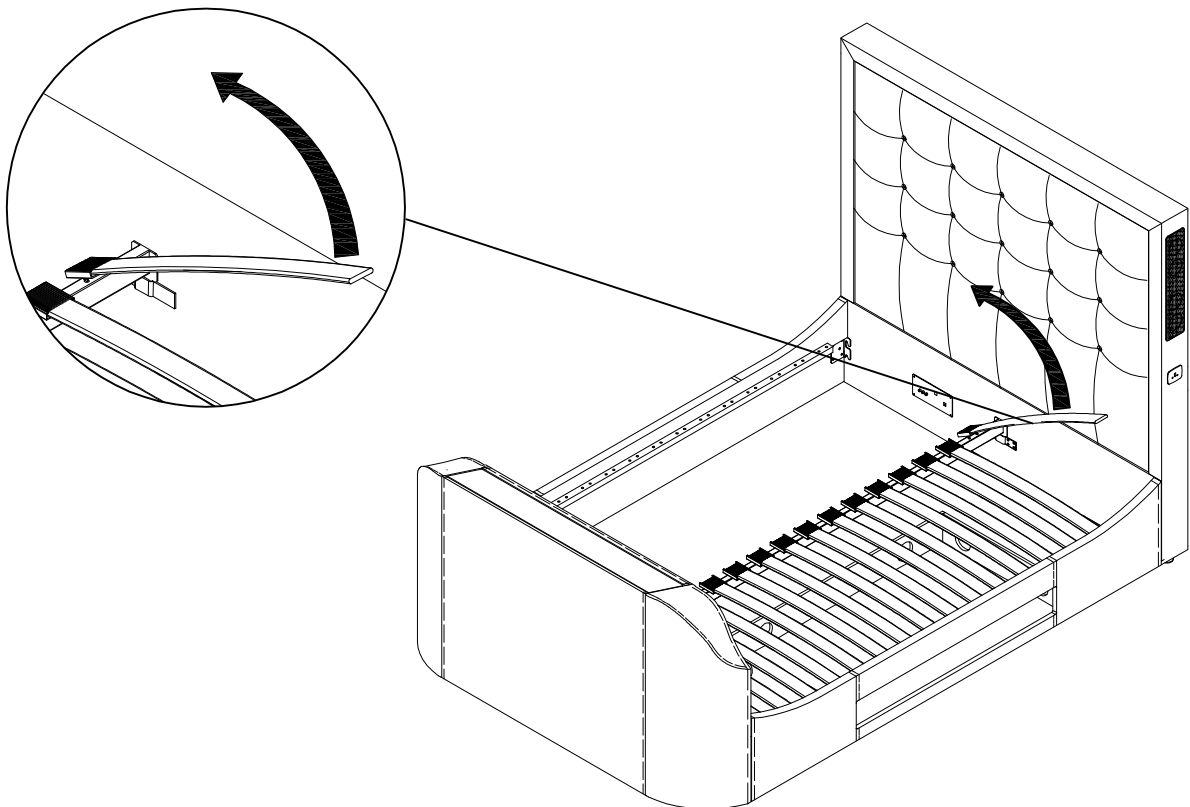
Contact your retailer for all other issues such as damage, missing or faulty components ( non electrical ) or anything else of a non technical/electrical nature.

## **(DISMANTLING THE SLAT CAPS)**

- Firstly, remove both end cap from side rail support & remove one side of slats as shown.



- Then, use the slats to remove middle caps slowly as shown.



## TROUBLE SHOOTING

**TV LIFT DOES NOT OPERATE USING THE WIRELESS REMOTE CONTROL**

CHECK

IS THERE A RED LIGHT ON THE BEDS POWER SUPPLY (12)?

**YES**

DOES THE LED LIGHT WORK ON THE WIRELESS REMOTE CONTROL WHEN A BUTTON IS PRESSED?

**YES**

POWER OFF THE BED SYSTEM AT THE MAINS SUPPLY

CONTINUOUSLY PRESS "ON BUTTON" ON THE WIRELESS REMOTE CONTROL (XVII)

WHILE CONTINUING TO PRESS THE BUTTON ON THE WIRELESS REMOTE CONTROL ON THE MAIN SUPPLY (DO NOT RELEASE THE BUTTONS ON THE WIRELESS REMOTE CONTROL (XVII)) UNTIL AFTER 5 SECONDS

NOW TRY TO OPERATE THE TV LIFT

THE FAULT REMAINS

CONTACT HELPLINE

**NO**

ENSURE THERE IS A RECHARGEABLE BATTERY IN THE REMOTE AND FULLY CHARGE USING A MICRO USB POWER CABLE.

THE FAULT REMAINS

CONTACT HELPLINE

**NO**

ENSURE THE POWER SUPPLY (12) IS CONNECTED TO A 'SWITCHED ON' WORKING MAINS SUPPLY.

THE FAULT REMAINS

CONTACT HELPLINE

## TROUBLE SHOOTING

HEADBOARD  
-USB PORT (TRY CHARGING AN ALTERNATIVE DEVICE WITH A DIFFERENT POWER CABLE)  
-AUX SOCKET,  
-H/P SOCKET, DOES NOT OPERATE

CHECK

IS THERE A RED LIGHT ON THE BEDS POWER SUPPLY (12) & (II)?

**YES**

THE FAULT REMAINS

CONTACT HELPLINE

**NO**

ENSURE THE POWER SUPPLY (12) & (II) IS CONNECTED TO A 'SWITCHED ON' WORKING MAINS SUPPLY.

THE FAULT REMAINS

CONTACT HELPLINE

## **4.1 AUDIO SPECIFICATION**

### **Factory Fitted Audio System**

#### **4.1 Channels - Surround Sound**

##### **17 x Speaker Drivers**

(16 x 2.5" - '6w' Treble Speakers & 1 x 6" '24w' Woofer Speaker)

##### **Total sound output**

(120w RMS)

1 (Footboard Integrated, Front Facing 4 x LHS Speakers: 24w RMS)

2 (Footboard Integrated, Front Facing 4 x RHS Speakers: 24w RMS)

3 (Headboard Integrated, Rear Facing 4 x LHS Speakers: 24w RMS)

4 (Headboard Integrated, Rear Facing 4 x RHS Speakers: 24w RMS)

.1 (Footboard Integrated, Indirect Positioned 1 x Woofer Speaker '24w RMS')

#### **Footboard Integrated - 4.1 Channel Digital Amplifier**

(Frequency Response: 20Hz -- 20000Hz)

(Input Power: 21v - DC)

(Input Sensitivity: p-p 0.5v)

(Total PMPO 480W)

(Power On / Off LED Indicator)

(Power On / Off Switch)

(Digital Optical 'In' Socket)

#### **Wireless Remote Control (Combined TV Lift & Speaker System Control)**

##### **Operates Speaker System**

(Front/Rear Speaker Balance 'with BAL quick select) with LED level indicator

(Treble + / -) with LED level indicator

(Bass + / -) with LED level indicator

(Vol + / -) with LED level indicator

(Standby)

(1 x Audio Channel/Mode Selector - 'BT, Aux, TV Optical Sound') with LED indicator

##### **Hub**

(2 x 2.1amp 'USB Charging' Socket)

(2 x 3.5mm 'Headphone Jack' Socket) (5V~2A)

(2 x Audio In 'Aux' Socket)

### **Factory Fitted TV Lift System**

#### **Footboard integrated - Lightweight/Whisper-silent, Linear Actuated TV Lift System**

(Auto TV Power Cut-Off Feature) During TV Down Operation)

#### **2.4G Radio Frequency Remote Control (Combined TV Lift & Speaker System Control)**

(Operates/Controls TV Lift) Up/Stop/Down Function

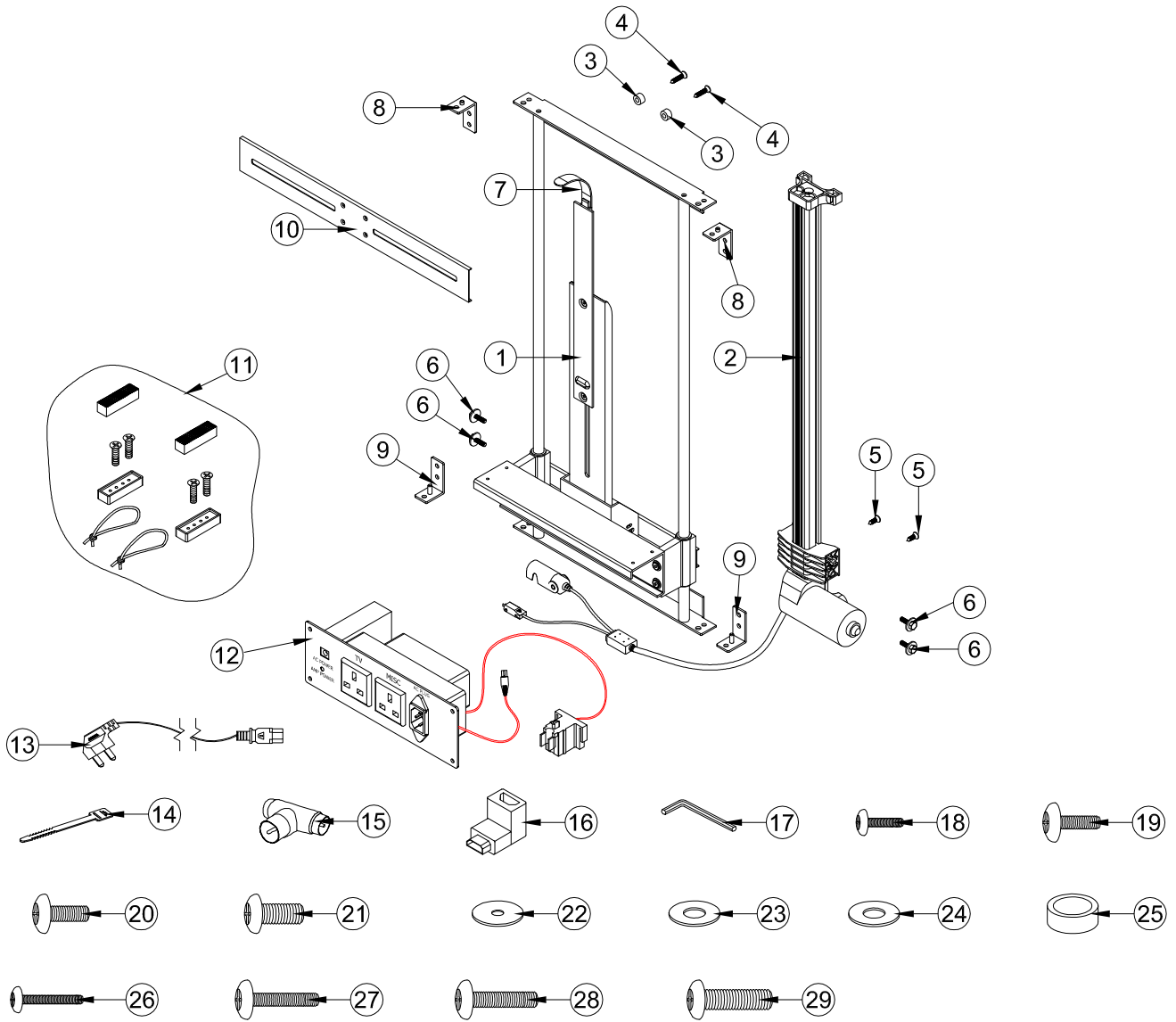
#### **Footboard Integrated - Two way Power Supply Extension Box**

(TV Power Socket)

(DVD/Satellite/Games Console Power Socket)



# G4 TV LIFT MECHANISM- OPTI-SERVE SPARE PARTS LIST



ITEM NO.	PART DESCRIPTION
1	Main TV-lift up mechanism (pre-assemble)
2	TV-linear actuator G4 (pre-fixed)
3	Actuator mounting top spacer (2pcs) (pre-fixed)
4	Cross recessed countersunk flat head wood screw- Top mounting M6 x 30mm (2pcs) (pre-fixed)
5	Cross recessed countersunk flat head wood screw- Top mounting M6 x 20mm (2pcs) (pre-fixed)
6	Actuator mounting bolt- screw M6 x 20mm (4pcs) (pre-fixed)
7	Gooseneck (pre-fixed)
8	Top hanging bracket (2pcs) (pre-fixed)
9	Bottom hanging bracket (2pcs) (pre-fixed)
10	TV- flat bracket (Vesa Bracket) (pre-fixed)
11	TV block (2pcs), screw M4 x 35mm (4pcs), block rubber cover (2pcs), cable management bungee cable (2pcs) (pre-fixed)
12	Power Adapter (1pc) (pre-fixed)
13	TV-lift up mechanism AC/ power-cable power plug
14	Cable clip (2pcs)-use to fix wire
15	Aerial connection (1pc)
16	90 degree HDMI adaptor (1pc)
17	Allen key (M4) (1pc)
18	Pan head screw M4 x 20mm (2pcs)
19	Pan head screw M5 x 20mm (2pcs)
20	Pan head screw M6 x 20mm (2pcs)
21	Pan head screw M8 x 20mm (2pcs)
22	M5 washer (2pcs)
23	M6 washer (2pcs)
24	M8 washer (2pcs)
25	Plastic collar (6pcs)
26	Pan head screw M4 x 40mm (2pcs)
27	Pan head screw M5 x 40mm (2pcs)
28	Pan head screw M6 x 40mm (2pcs)
29	Pan head screw M8 x 40mm (2pcs)



# EU Declaration of Conformity



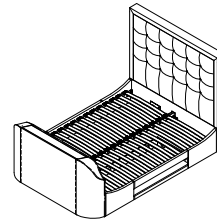
1. Product model: TITAN MEDIA TV BED
2. Product destination : KAYDIAN-UK
3. Name and address of the manufacturer or his authorised representative:

**BSSB FURNITURE (M) SDN BHD**  
**LOT NO.8962, JALAN UDANG GALAH,**  
**TELOK GONG, 42000 PORT KLANG,**  
**SELANGOR DARUL EHSAN, MALAYSIA.**  
**TEL : 603 3134 1278**  
**E-mail : Admin@bssbfurniture innovation.com**

4. This declaration of conformity is issued under the sole responsibility of the manufacturer.

5. Object of the declaration:

**Equipment: TV MEDIA**  
**Brand Name: BSSB FURNITURE**  
**Model / type: TITAN MEDIA TV BED**



6. The object of the declaration described above is in conformity with the relevant Union harmonisation legislation:

<b>LVD 2014/35/EU via MD clause 1.5.1</b>	BS EN 60335-1 Household and similar electrical appliances. Safety. General requirements
<b>EMC 2014/30/EU</b>	BS EN 55014-1 Electromagnetic compatibility. Requirements for household appliances, electric tools and similar apparatus. Emission BS EN 55014-2 Electromagnetic compatibility. Requirements for household appliances, electric tools and similar apparatus. Immunity
<b>RoHS 2011/65/EU</b>	BS EN 50581 Technical documentation for the assessment of electrical and electronic product with respect to the restriction of hazardous substances.
<b>MD 2006/42/EC</b>	There is no dedicated Standard related to this type of product, therefore within the hierarchy of compliance this product must comply with all the clauses within the Machinery Directive. The following Standards will support compliance with the clauses in Annex I and can be referred to in the Technical File to further justify compliance. BS EN 1725 Domestic furniture. Beds and mattresses. Safety requirements and test methods BS EN ISO 12100 Safety of machinery. General principles for design. Risk assessment and risk reduction BS EN 349 Safety of machinery - Minimum gaps to avoid crushing of parts of the human body

7. References to the relevant harmonised standards used of references to the other technical specifications in relation to which conformity is declared:

Product code: TV-G4.00(WK), Product name: Mechanism  
**EMF(LVD+EMC) for mechanism:**  
EN 55014-2; EN 55014-1; EN 61000-3-3; EN 6100-3-2; EN 60335-1; EN 62233  
**MD for mechanism:**  
EN ISO12100

Product code: MMG4.1, Product name: Audio System  
**LVD+EMC:**  
EN 60065; EN 550132; EN 55020  
**RED (LVD+EMC+RADIO) for 2.4GHz controller:**  
EN 301489; EN 300328; EN 62479; EN 55032

8. Signed for and on behalf of:

**BARRY JOHNSON**

.....  
**MANUFACTURER**  
**BSSB Furniture (M) SDN BHD**