

## ASSEMBLY INSTRUCTIONS MERLIN CABIN BED

IMPORTANT: READ THESE INSTRUCTIONS CAREFULLY BEFORE ASSEMBLING OR USING YOUR MERLIN CABIN BED FRAME.

PLEASE KEEP THESE INSTRUCTIONS FOR FUTURE REFERENCE.

### HEALTH & SAFETY:

DO NOT jump on this bed frame.

DO NOT use this bed frame if any parts are missing, damage or worn.

DO NOT use this bed frame unless all fixings are secured.

Please keep small parts out of reach of children.

Always use on a level, even surface.

This bed is tested to European safety standard BS EN 747-1 & 2:2012+41:2015

**WARNING:** If this bed is placed on a non-carpeted floor you must place some protection under all legs to stop the bed frame from moving. If this is not adhered to there is no guarantee if the bed frame collapses.

**WARNING:** High beds are not suitable for use by children under 6 years of age due to risk of injury from falls.

**WARNING:** Please note the area underneath the bed is to used for storage purpose only

**WARNING:** High beds present a serious risk of injury from strangulation if used incorrectly. Never attach or hang anything on any part of the frame that is not designed to be used with the bed, for example, but not limited to ropes, strings, cords, hooks, belts, and bags.

**WARNING:** Do not use the high bed if any structural part is missing or broken.

**WARNING:** Children can become trapped between the bed and adjoining structures including walls, roof pitches, ceilings and other pieces of furniture. To avoid risk of serious injury, the distance between the top safety barrier and any adjoining structure shall not exceed 75mm or shall be more than 230mm.

### CARE & MAINTENANCE:

Assemble in the room of use.

Assemble on a soft, clean surface.

**Please check regularly that all assembly fastening are properly tightened.**

**DO NOT** push the bed frame as this will damage the legs.

Always lift the bed with two people to reposition.

Use a soft, dry cloth to clean - do not use any detergents or chemicals.

Avoid contact with water and direct sunlight. **Do not place bed near heat sources, window to keep the humidity low and prevent mould in and around the bed**

### INFORMATION

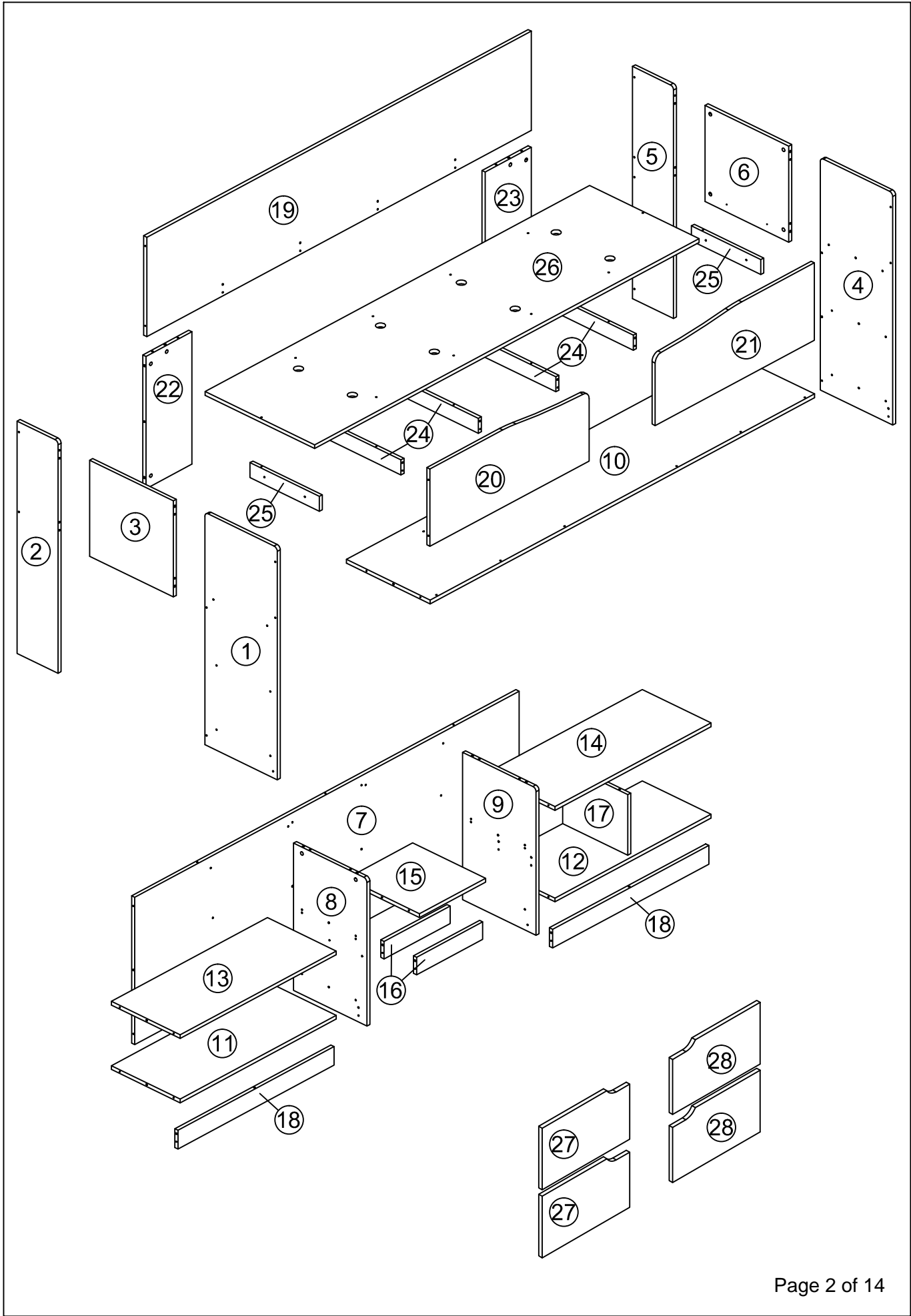
- Maximum thickness of mattress 15cm. Please refer to making headboard.

- Recommend size of mattress L192cm x W92cm x H15cm

- When you are ready to start, make sure that you have the right tools, plenty of space on a clean, dry area for assembly.

- Check the pack and make sure you have all the part listed.

- Ensure that this product is fully assembly and secured as illustrated before use.



## PARTS LIST

Carton 1 of 3:

Part	Description	Qty
7	Lower Back Panel	1
15	Centre Shelf Panel	1
16	Centre Front Plinth	2
17	Right Shelf Centre Panel	1
18	Front Plinth Panel	2
26	Back Base Panel	1
27	Left Door	2
28	Right Door	2

Carton 2 of 3:














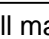
Part	Description	Qty
1	Left Front End Panel	1
2	Left Back End Panel	1
3	Left Centre End Panel	1
4	Right Front End Panel	1
5	Right Back End Panel	1
6	Back Centre End Panel	1
20	Left Front Panel	1
21	Right Front Panel	1
22	Left Back Post	1
23	Right Back Post	1
24	Support Plinth	4
25	End Support	2

Hardware List

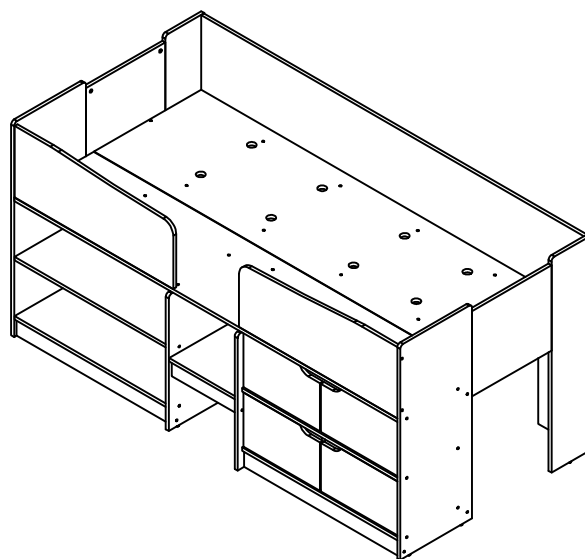
Carton 3 of 3:

Part	Description	Qty
8	Left Division Panel	1
9	Right Division Panel	1
10	Front Base Panel	1
11	Left Lower Shelf Panel	1
12	Right Lower Shelf Panel	1
13	Left Upper Shelf Panel	1
14	Right Upper Shelf Panel	1
19	Upper Back Panel	1

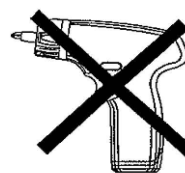
## HARDWARE LIST: Carton 2 of 3

Part	Description	Qty
A	CAM NUT 15mm 	14
B	CAM BOLT 	14
C	WOOD DOWEL M6 x 25mm 	54
D	M5 x 40mm UNITAR SCREW 	83
E	CSK SCREW M4 x 25mm 	4
F	MAGNET WHITE 	4
G	MAGNET PLATE 	4
H	CSK SCREW M3.5 x 16mm 	16
I	PVC DOOR SPRING 	8
J	PVC NAIL 	15
K	ALLEN KEY 	1
L	ROUND STICKER 	42
M	METAL L BRACKET 	2
N	TAPPING SCREW M6 x 15mm 	8




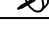
\*\* You will need a screwdriver and a small mallet ( NOT provided)



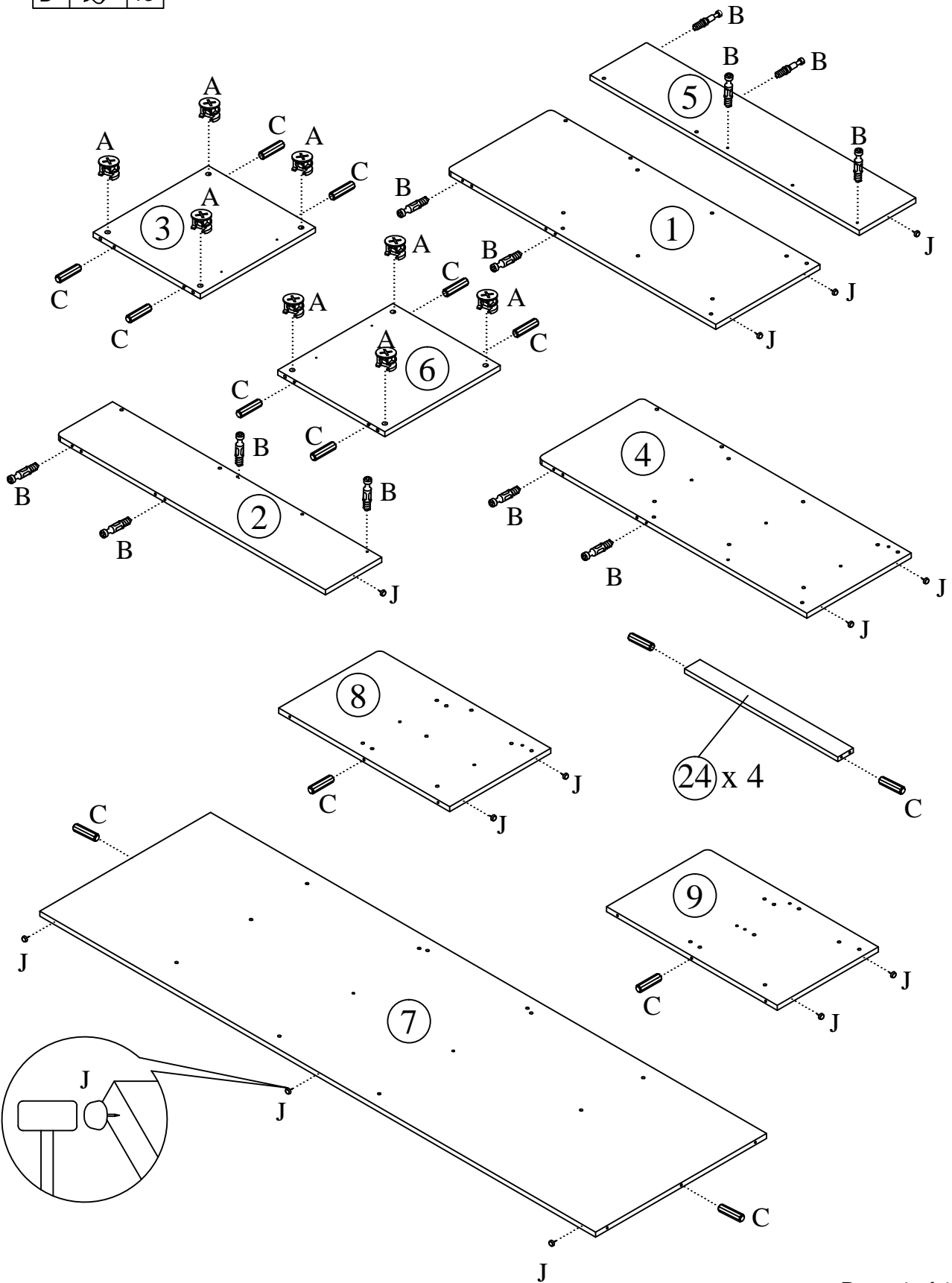
\*\* WARNING: THE USE OF POWER TOOLS TO ASSEMBLE THIS PRODUCT WILL INVALIDATE ANY CLAIM AND MAY DAMAGE THIS PRODUCT MAKING IT UNSAFE.






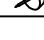
1

A		8
B		12
C		20
D		13

Insert hardware part A & part B using a screwdriver (not provided). Insert hardware part C using a small mallet (not provided). Insert hardware part J using a small mallet (not provided).  
DO NOT use any power tools as this may damage the frame and will invalidate any claim.

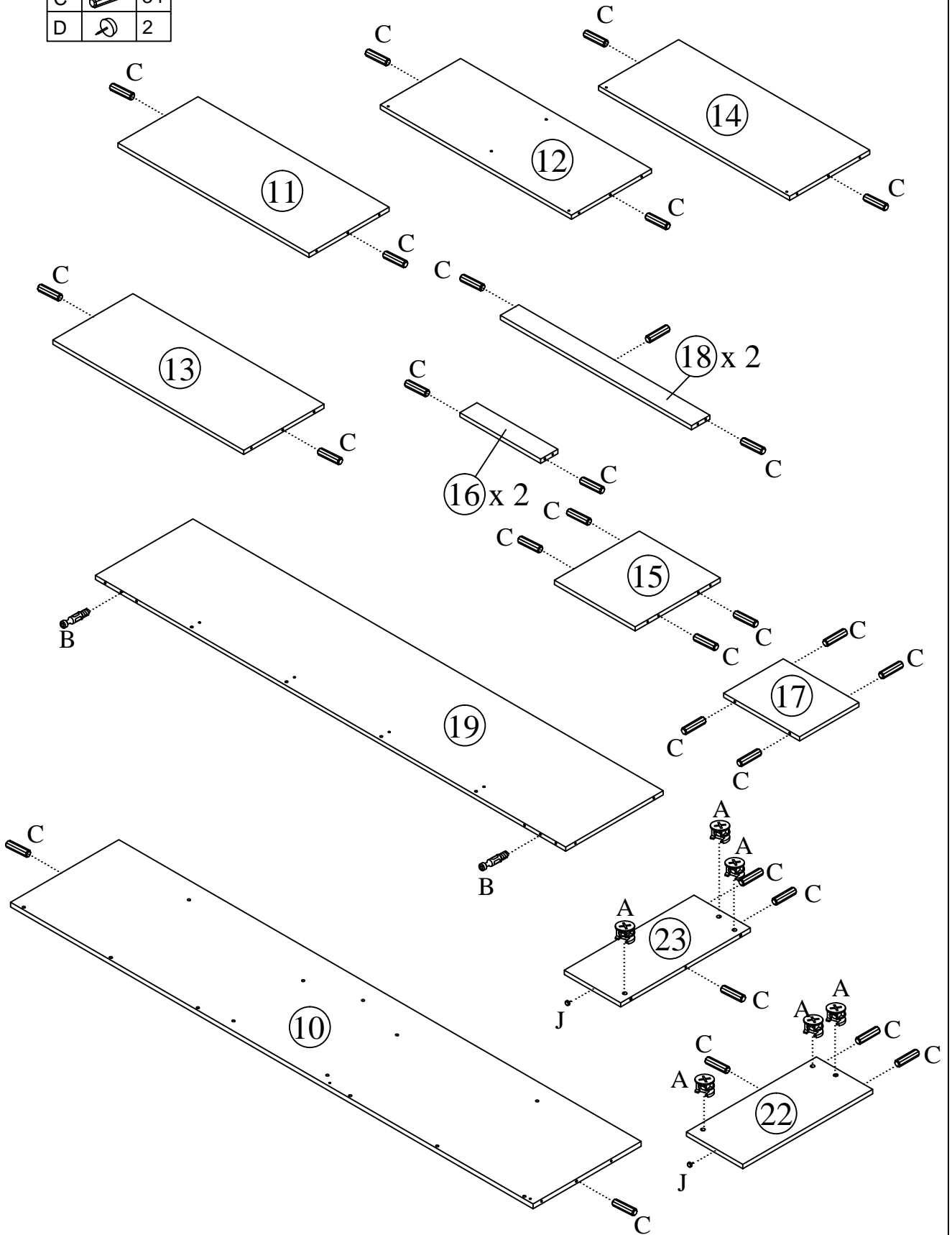


2

A		6
B		2
C		34
D		2

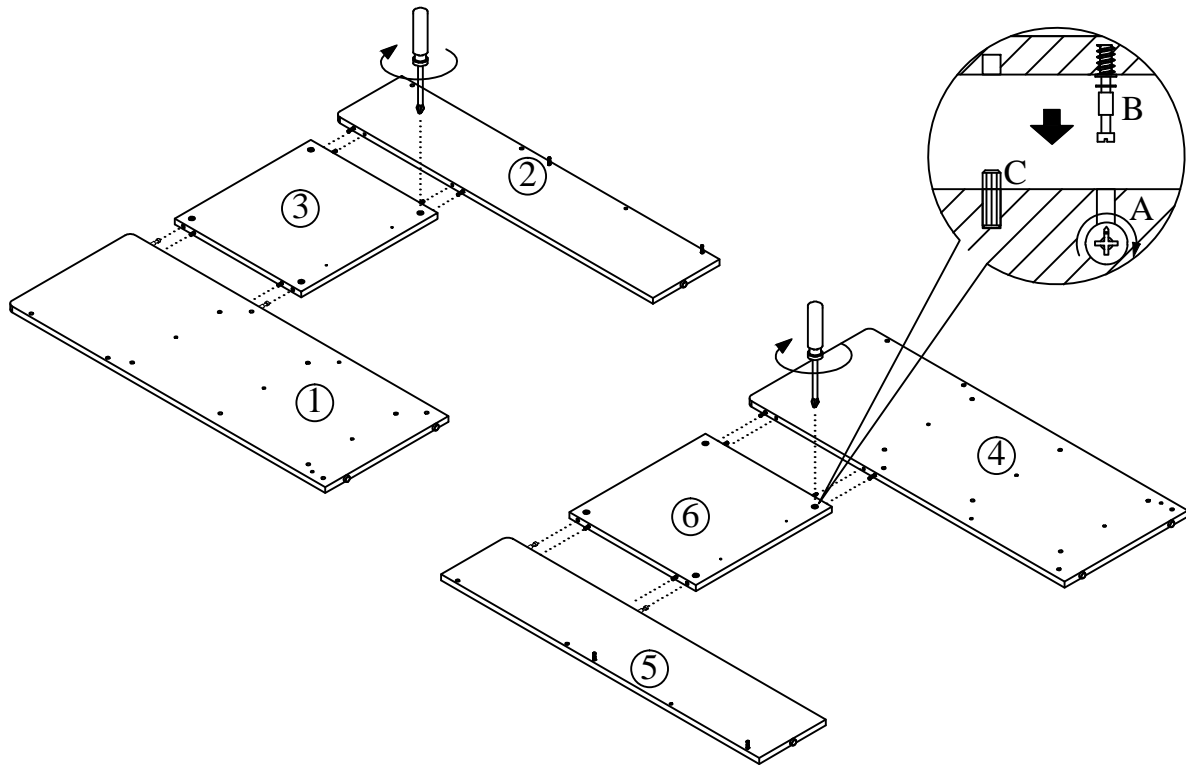
Insert hardware part A & part B using a screwdriver (not provided). Insert hardware part C using a small mallet (not provided). Insert hardware part J using a small mallet (not provided).

**DO NOT** use any power tools as this may damage the frame and will invalidate any claim.



3

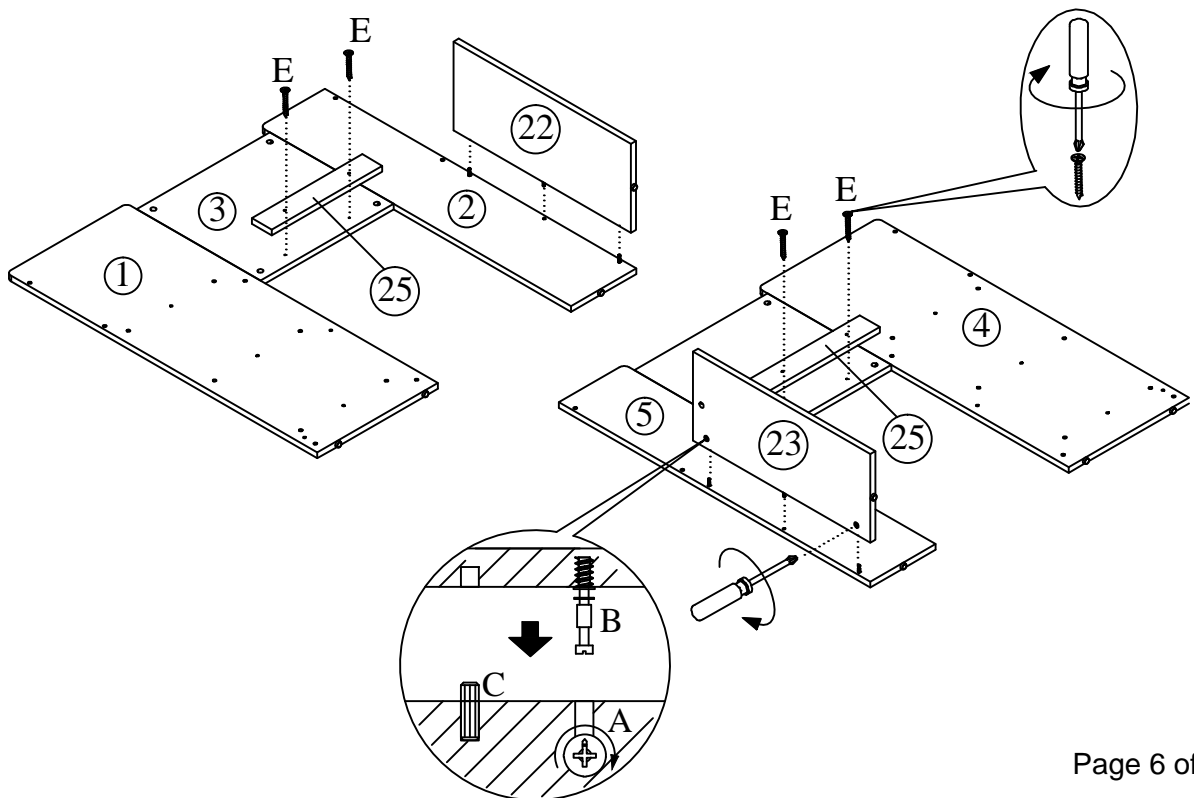
Join the end panels together as shown. Turn to tighten the cam nut part A by using a screwdriver (not provided) clockwise.  
**DO NOT** use any power tools as this may damage the frame and will invalidate any claim.




4



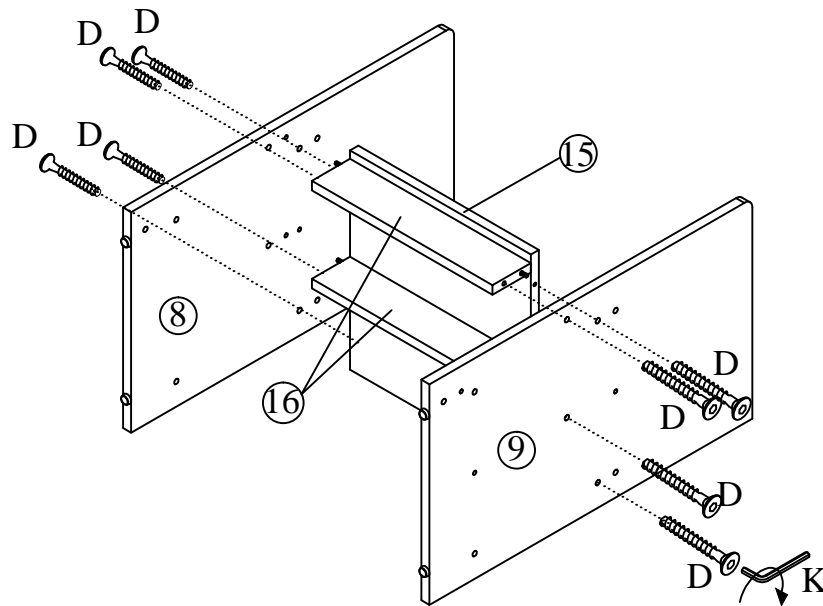
Fix the left back post (22) to the left back end panel (2) by using a screwdriver (not provided), and also fix the end support (25) to left center end panel (3) using a screwdriver (not provided). Repeat the step for the right back post (23), right end panel (5) and right center end panel (6).  
**DO NOT** use any power tools as this may damage the frame and will invalidate any claim.



5 

D		8
---	---	---

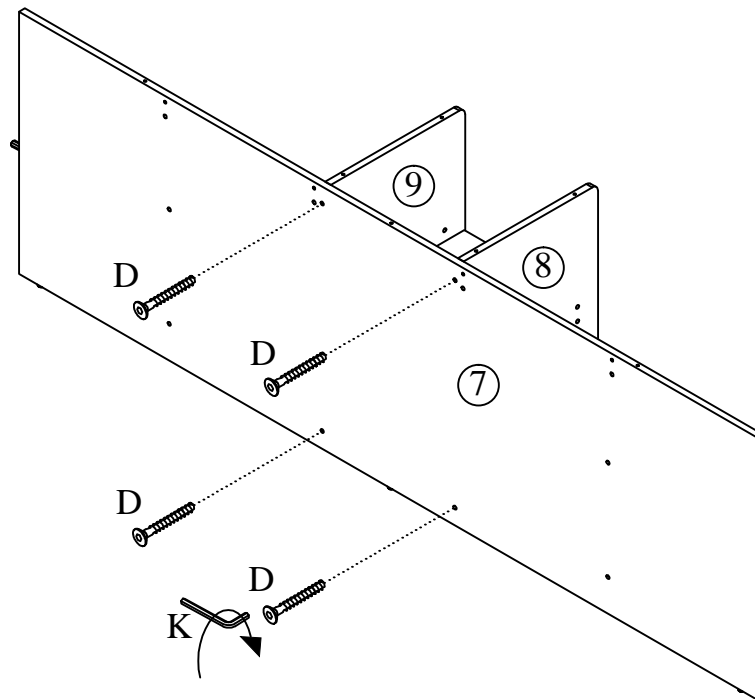
Attach the left division panel (8) and right division panel (9) to the center shelf panel (15) and center plinths (16) with screw (D) by using allen key (K) and tighten clockwise. **DO NOT** use any power tools as this may damage the frame and will invalidate any claim.




6 

D		4
---	---	---

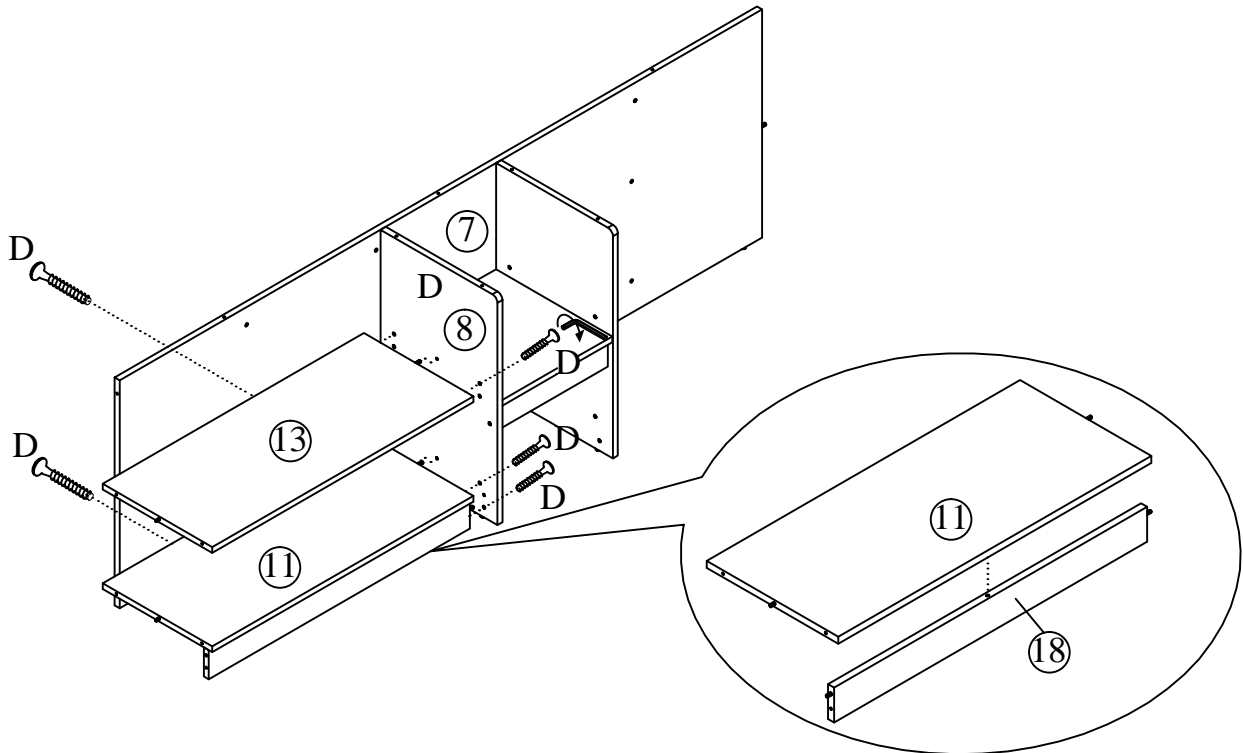
Attach the lower back panel (7) with screw (D) by using allen key (K) and tighten clockwise. **DO NOT** use any power tools as this may damage the frame and will invalidate any claim.




**7**

D		7
---	---	---

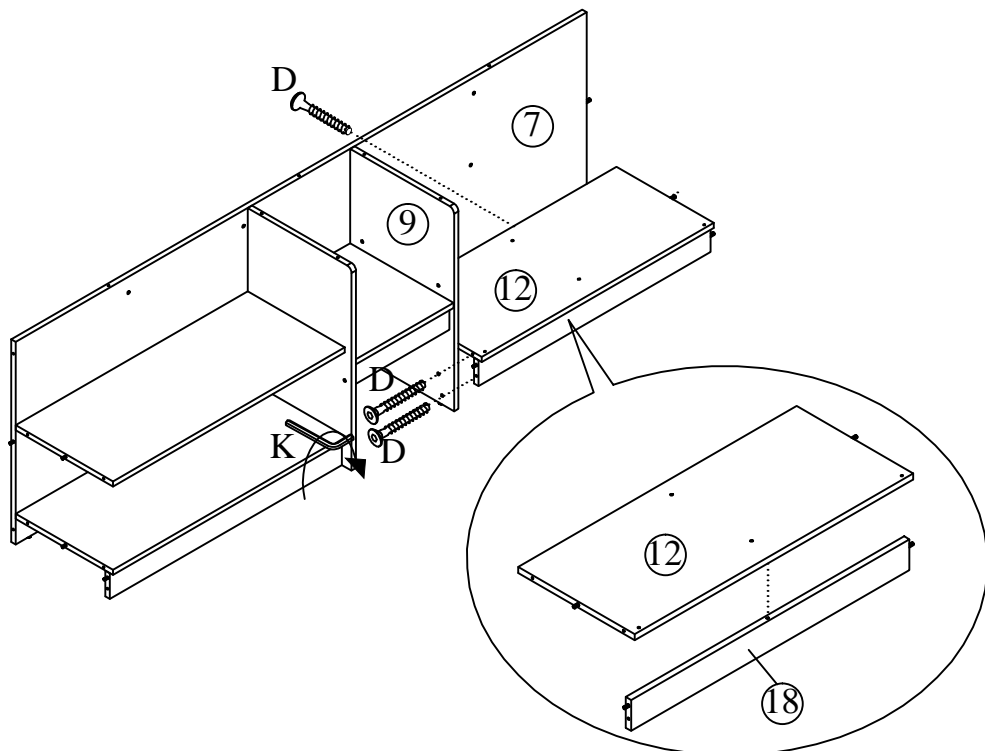
Attach the left lower shelf (11) and front plinth (18) together.  
Attach the left upper shelf panel (13) and left lower shelf (11) to the left division panel (8) and lower back panel (7) by using screw (D) and allen key (K).  
**DO NOT** use any power tools as this may damage the frame and will invalidate any claim.



**8**

D		4
---	---	---

Attach the right lower shelf (12) and front plinth (18) together.  
Attach the right lower shelf panel (12) to the right division panel (9) and the lower back panel (7) using screw (D) and allen key (K).  
**DO NOT** use any power tools as this may damage the frame and will invalidate any claim.

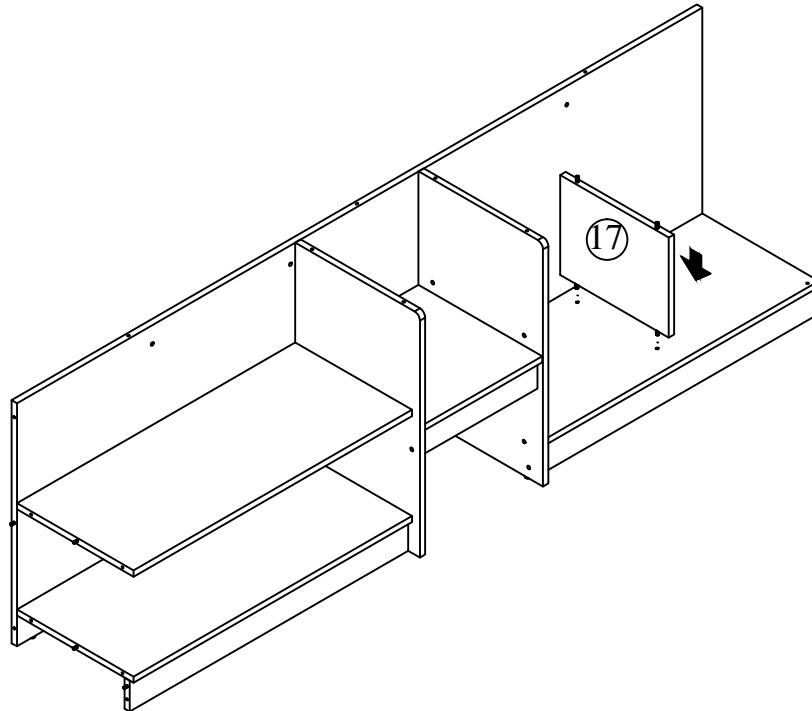




**9**

Insert the right shelf center panel (17).

**DO NOT** use any power tools as this may damage the frame and will invalidate any claim.

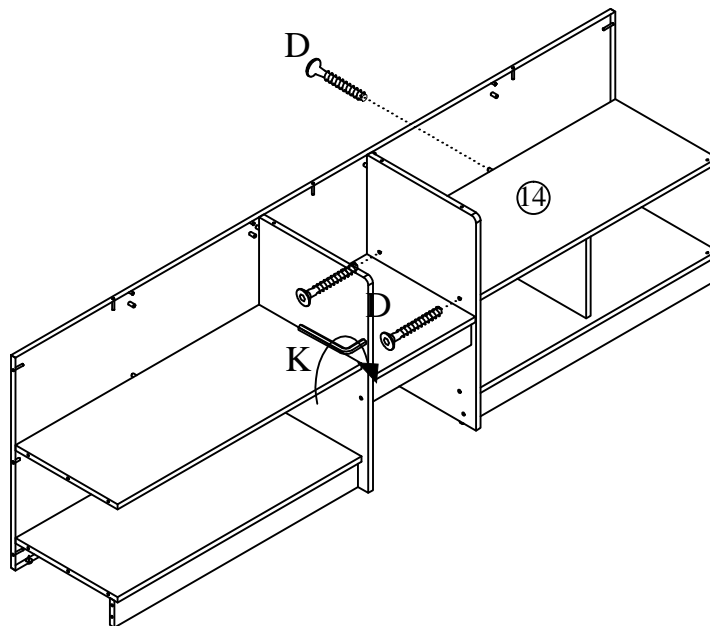


**10**



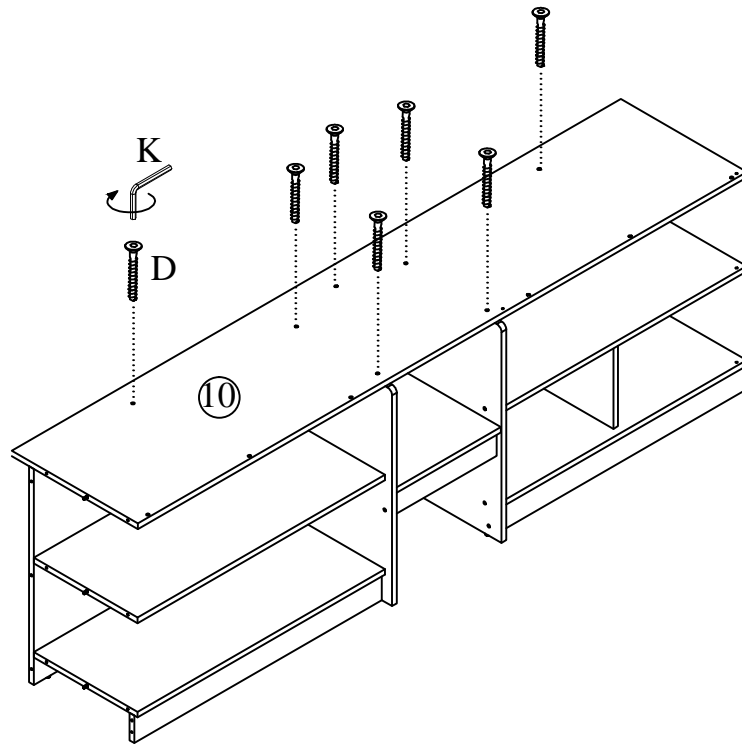
Attach the right upper shelf panel (14) using screw (D) by allen key (K).

**DO NOT** use any power tools as this may damage the frame and will invalidate any claim.

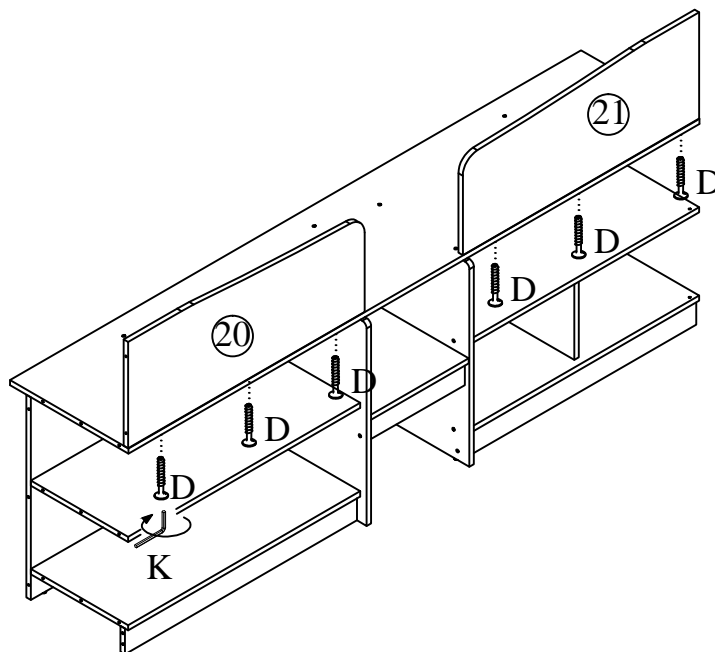


**11**

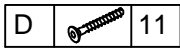
Attach the front base panel (10) by screw (D) using allen key (K).

**DO NOT** use any power tools as this may damage the frame and will invalidate any claim.**12**

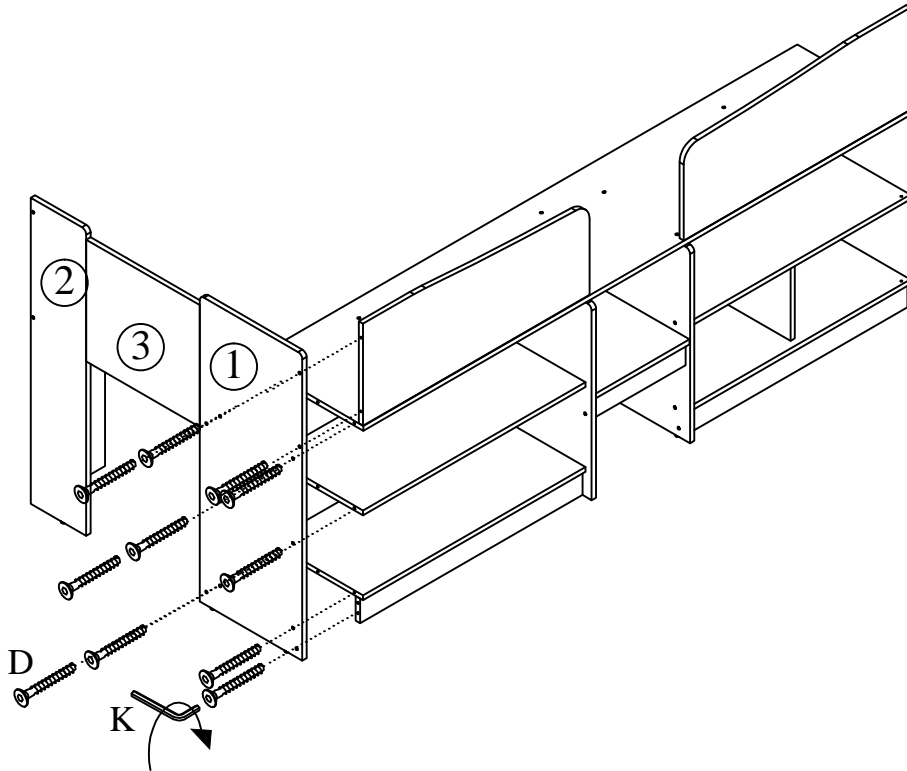
Attach the left front panel (20) and right front panel (21) using screw (D) by allen key (K).

**DO NOT** use any power tools as this may damage the frame and will invalidate any claim.

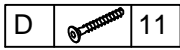
13



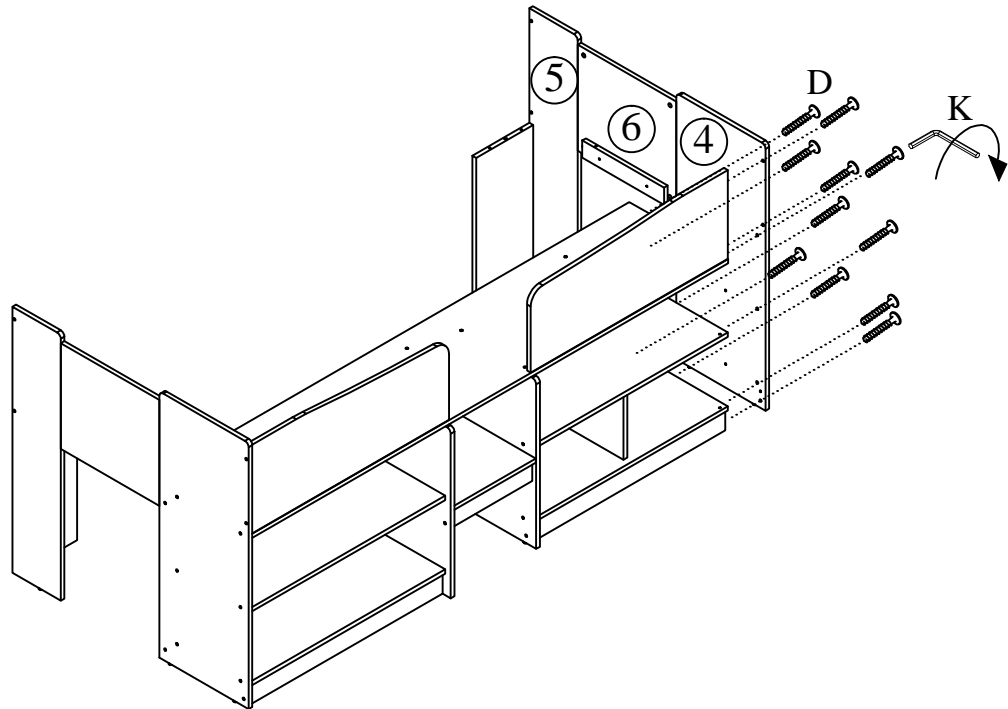
Attach the assembled left end panel by screw (D) using allen key (K).  
**DO NOT** use any power tools as this may damage the frame and will invalidate any claim.




14



Attach the assembled left end panel by screw (D) using allen key (K).  
**DO NOT** use any power tools as this may damage the frame and will invalidate any claim.



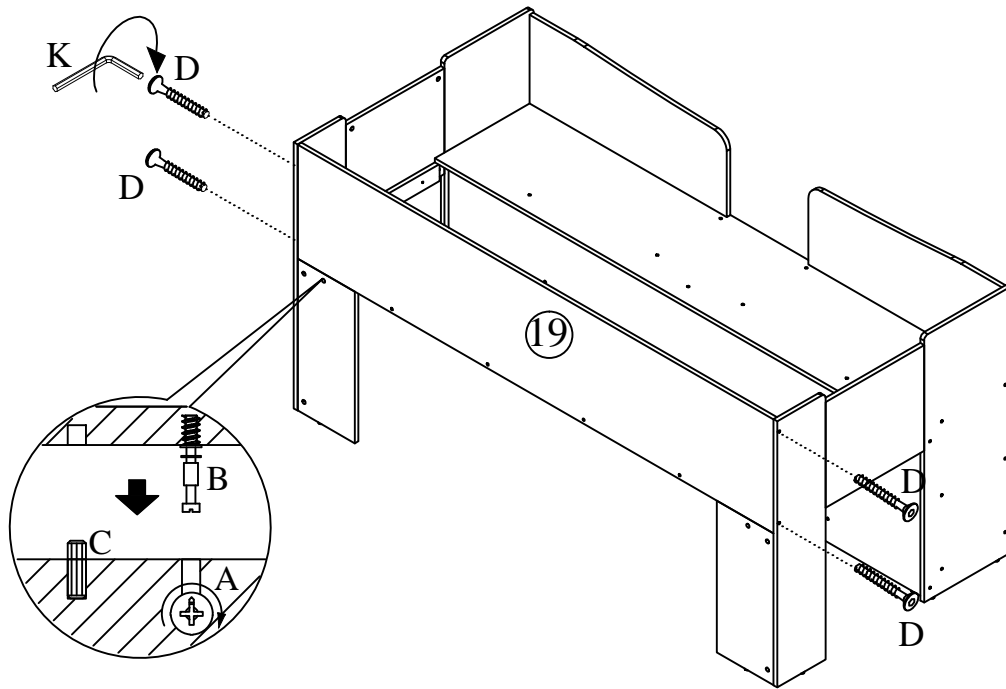
**15**




D		4
---	---	---

Attach upper back panel (19) with screw (D) by allen key (K).

Secure the right back post (23) and left back post.

**DO NOT** use any power tools as this may damage the frame and will invalidate any claim.

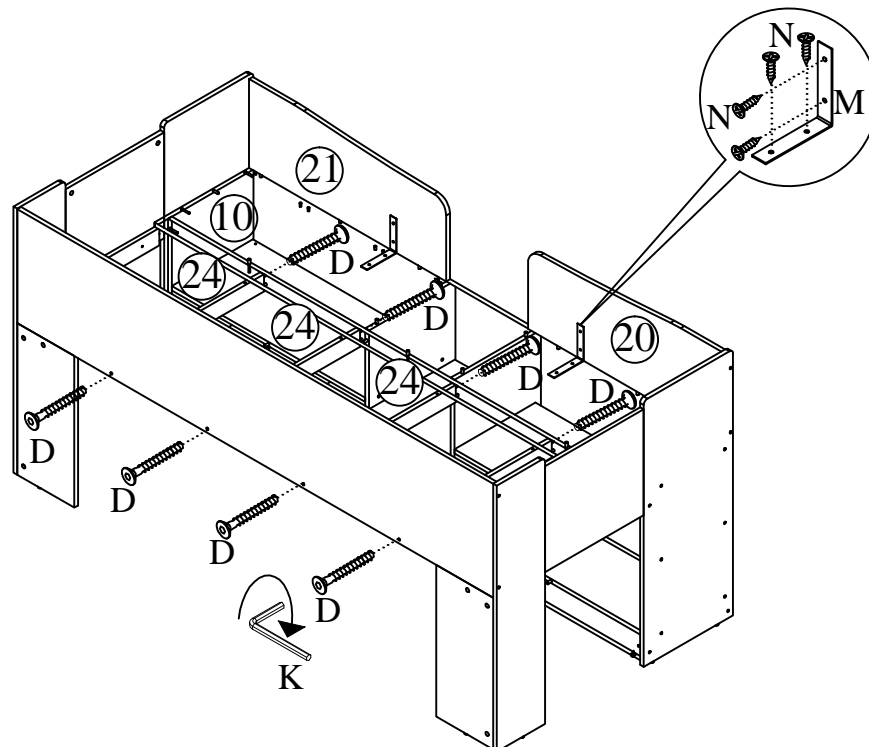
**16**

D		8
H		8
M		2


Secure the support plinths (24) using screw (D) by allen key (K).

Attach L bracket (M) with screw (N) by screwdriver (not provided).

**DO NOT** use any power tools as this may damage the frame and will invalidate any claim.

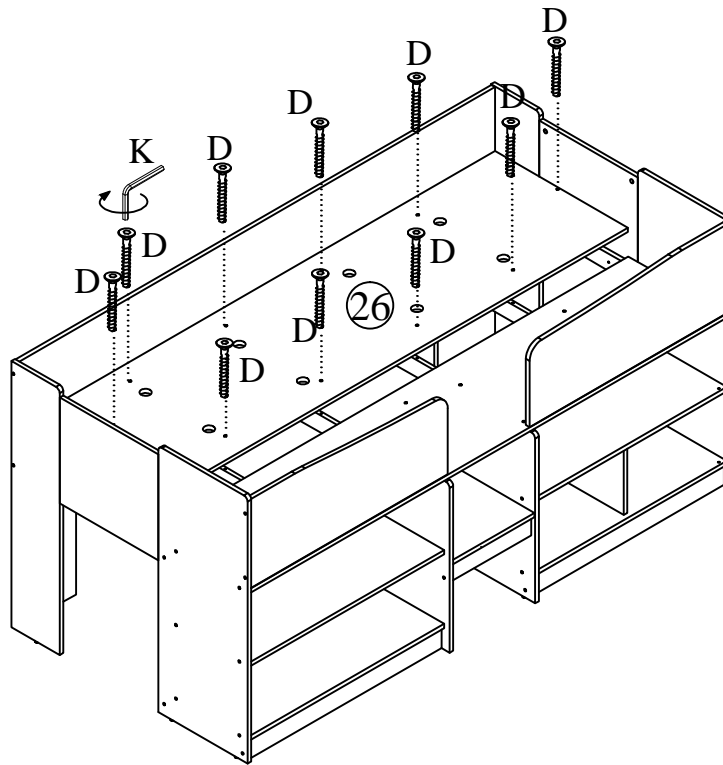






**17**

D		10
---	---	----

Attach the back base panel (26) with screw (D) by allen key (K).

**DO NOT** use any power tools as this may damage the frame and will invalidate any claim.

**18**

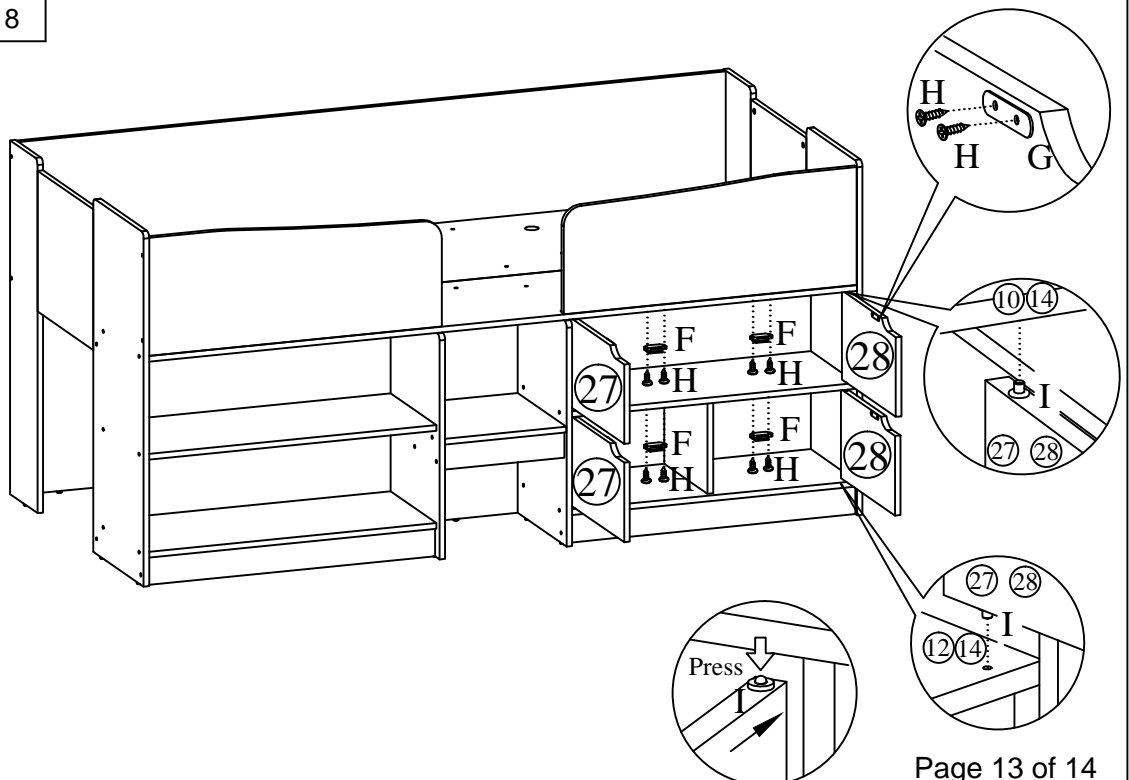
F		4
G		4
H		16
I		8

Fix magnet (F) with screw (H) by screwdriver (not provided).

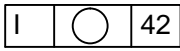
Fix magnet plate (G) with screw (H) by screwdriver (not provided).

Insert door spring (I) to door panel (27,28) as shown.

**DO NOT** use any power tools as this may damage the frame and will invalidate any claim.



19



Cover screw hole with sticker (I) as shown.

**DO NOT** use any power tools as this may damage the frame and will invalidate any claim.

