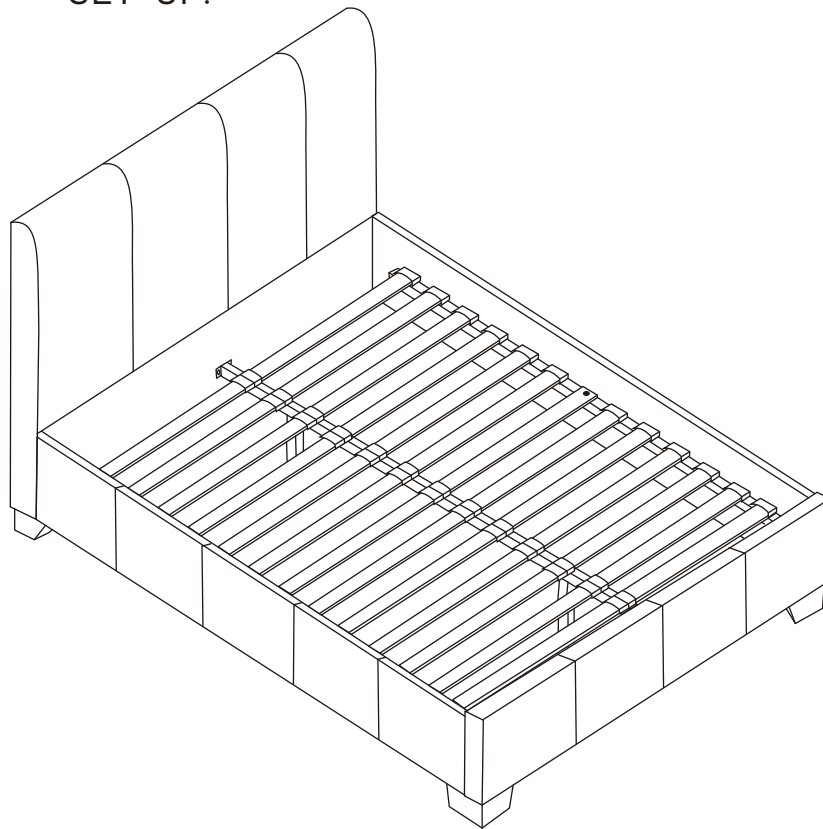


ASSEMBLY INSTRUCTION

Important

Please inspect all items carefully before assembling. If for any reason you need to return this item, you must return it in its original packaging. Assembled items cannot be returned

- IMPORTANT NOTE: *PLACE ALL PARTS ON A CLEAN AND SMOOTH SURFACE SUCH AS ARUG OR CARPET TO AVOID THE PARTS FROM BEING SCRATCHED.
*KINDLY FOLLOW THE ASSEMBLY INSTRUCTIONS STEP BY STEP.
*DO NOT TIGHTEN ALL SCREWS UNTIL THE BED IS FULLY SET-UP.



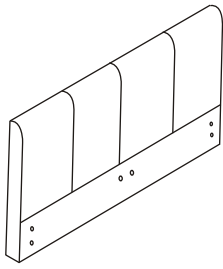
4FT6 PARMA DOUBLE BED

CARE INSTRUCTIONS

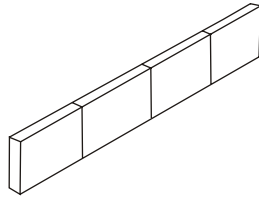
- * Wipe clean using a soft damp cloth followed by a dry cloth.
- * Do not use abrasives or cleaning products which may contain ammonia or solvents.
- * Take care when handing or moving the furniture. Careless handling can damage wooden furniture, try to lift rather than drag.

Parts list

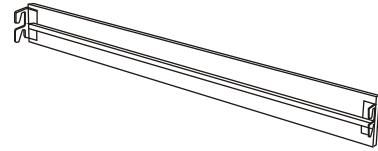
① Headboard 1pc



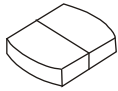
② Footboard 1pc



③ Side Rail 2pcs



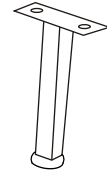
④ Double Plastic Cap 12pcs



⑤ Centre Support Bar 1pc



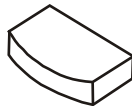
⑥ Support Leg 2pcs



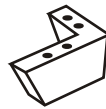
⑦ Slat 24pcs



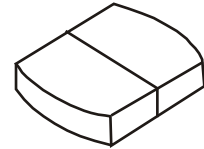
⑧ Single Plastic Cap 24pcs



⑨ Leg 4pcs



⑩ Big (80mm) Double Plastic Cap 1pc

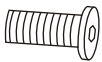


⑪ Cross Bar 1pc

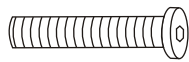


Hardware list

Ⓐ Bolt M8*30mm 12pcs



Ⓑ Bolt M8*35 4pcs



Ⓒ Nut M8*13mm 4pcs



Ⓓ Spring Washer M8 8pcs



Ⓔ Flat Washer M8 16pcs



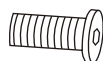
Ⓕ Allen Key M5 1pc



Ⓖ Spanner 1pc



Ⓖ Bolt M6*20mm 2pcs



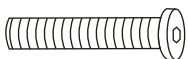
Ⓖ Flat Washer M6 2pcs



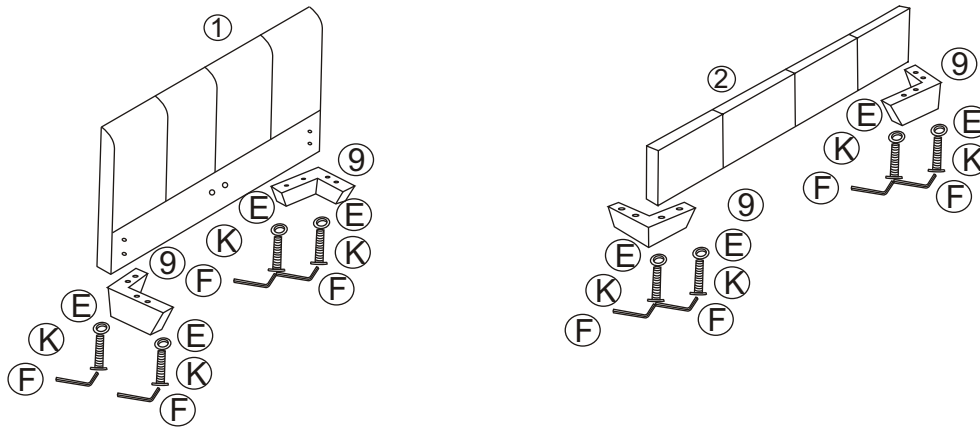
Ⓖ Allen Key M4 1pc



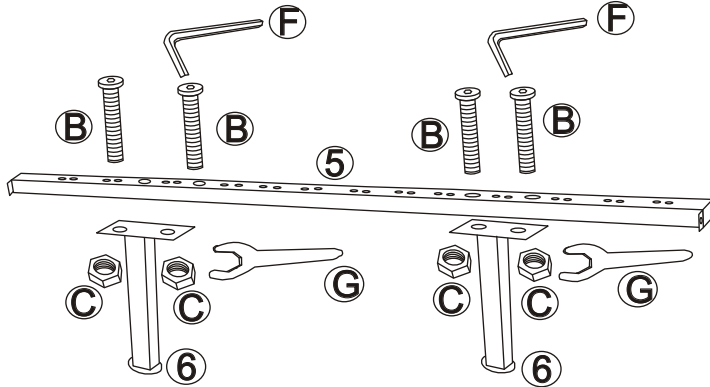
Ⓖ Bolt M8*50 8pcs



STEP 1 FIXING LEGS TO HEADBOARD AND FOOTBOARD.

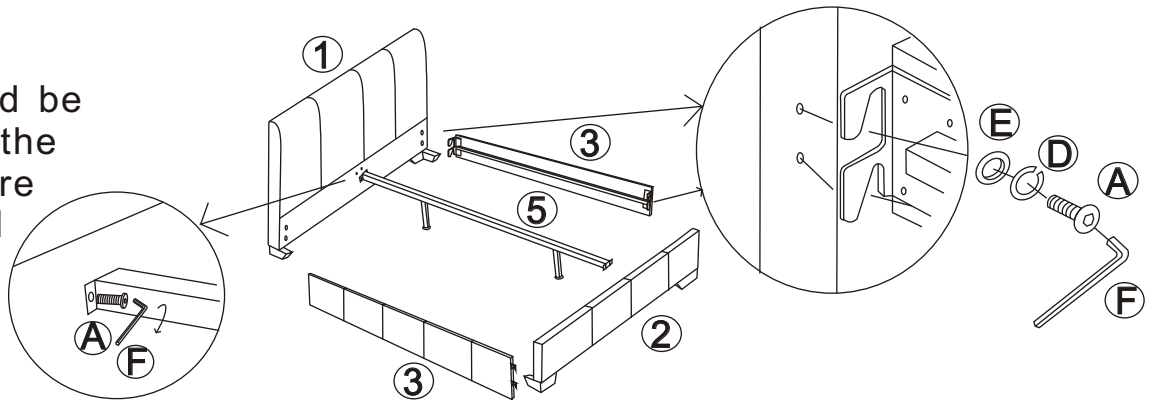


STEP 2 FIXING SUPPORT LEGS TO CENTRE SUPPORT BAR.



STEP 3 FIXING SIDE RAILS AND CENTRE SUPPORT BAR TO HEADBOARD AND FOOTBOARD.

3mm gaps should be set-up between the base of the centre support legs and the floor.



STEP 4 ONCE SLAT ASSEMBLED POSITION PEGS ON THE BASE OF CAPS INTO CORRESPONDING HOLES ON THE SIDE RAILS AND CENTRAL SUPPORT BAR. THEN CAREFULLY PRESS DOWN ON CAPS TO SECURE.

