



# Birlea

Suppliers of inspiration

Vendor: S000139



## ASSEMBLY INSTRUCTIONS LYNX 6 DRAWER CHEST

**IMPORTANT: READ THESE INSTRUCTIONS CAREFULLY BEFORE ATTEMPTING TO ASSEMBLE OR USE YOUR LYNX 6 DRAWER CHEST.**

**PLEASE KEEP THESE INSTRUCTIONS FOR FUTURE REFERENCE.**

### **ASSEMBLY:**

Assembly should be carried out with this item laying flat, not standing upright.

Assemble on a soft, clean surface to prevent damages.

To erase the numbers printed on the pieces, use the rubber into the accessories pack.

### **HEALTH & SAFETY:**

DO NOT use this chest if any parts are missing, damaged or worn.

DO NOT use this chest unless all fixings are secured .

Always use on a level, even surface.

### **CARE & MAINTENANCE:**

Periodically check all screws & fixings to ensure they are secure.

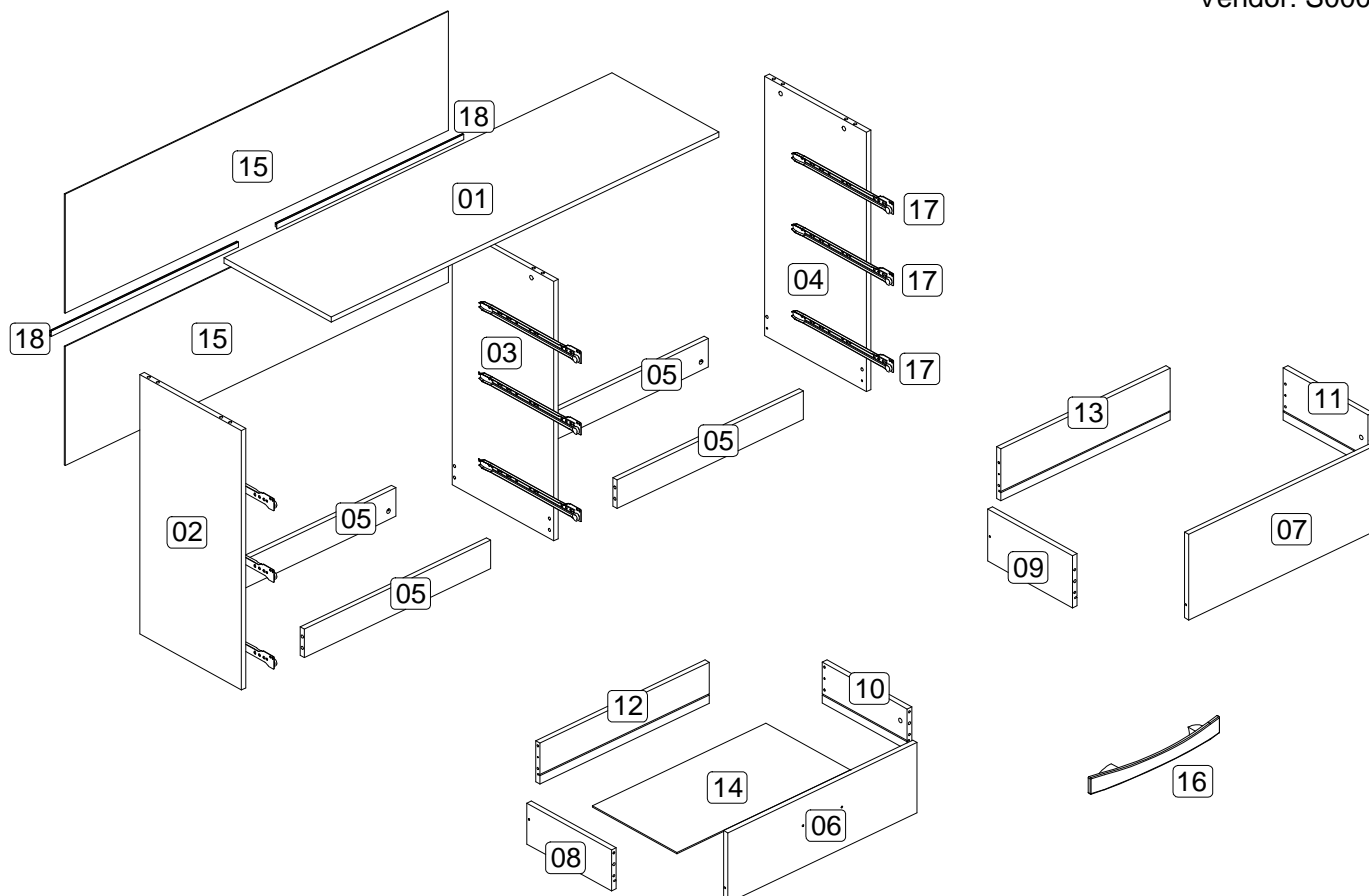
DO NOT push the chest as this will damage the base.

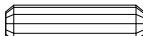

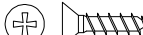
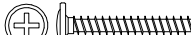

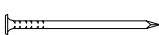
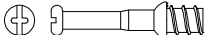





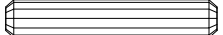


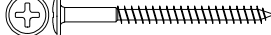
Always lift the chest with two people to reposition.

Keep any sharp objects away from the chest.

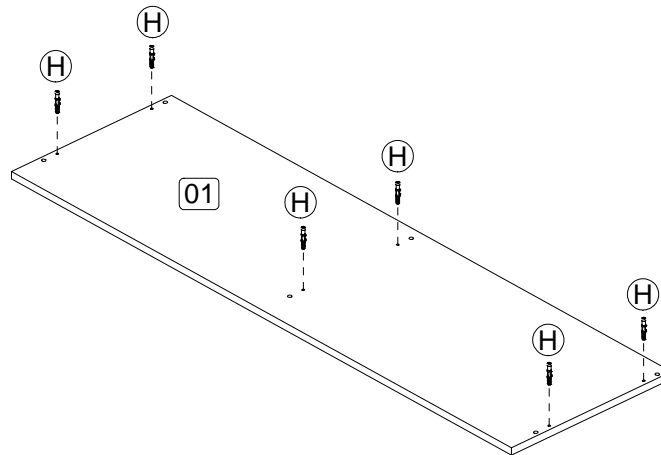


[www.birlea.com](http://www.birlea.com)

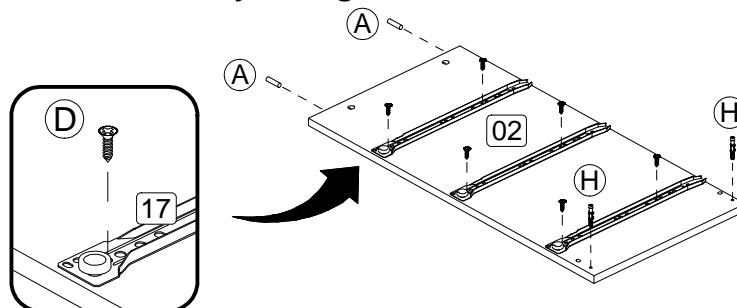


Parts List			Hardware List		
Part	Description	Qty	Part	Description	Qty
01	Top Panel	1	A	8 x 30mm Wooden Dowel 	58
02	Left Panel	1	C	Plastic Cap 	12
03	Centre Panel	1	D	3 x 14mm Screw 	37
04	Right Panel	1	E	3.5 x 25mm Screw 	12
05	Plinth	4	F	4.5 x 45mm Screw 	12
06	Small Drawer Front	4	G	10 x 10mm Tack 	45
07	Large Drawer Front	2	H	Simple Minifix Screw 	22
08	Left Side Panel - Small Drawer	4	I	Cam Lock 	26
09	Left Side Panel - Large Drawer	2	J	Glue 	1
10	Right Side Panel – Small Drawer	4	K	Small Plastic Foot 	6
11	Right Side Panel – Large Drawer	2	L	Double Minifix Screw 	2
12	Small Drawer Back	4	M	6 x 8mm Screw 	12
13	Large Drawer Back	2	N	8 x 50mm Wooden Dowel 	2
14	Drawer Base	6	O	Strap 	1
15	Back Panel	2	P	Bushing 	1
16	Handles	6	Q	5 x 60 mm Screw 	1
17	Drawer Runners	6	** You will need a small mallet and a screwdriver for assembly. ** Some screws and wooden dowel may remain.		
18	Spine	2			

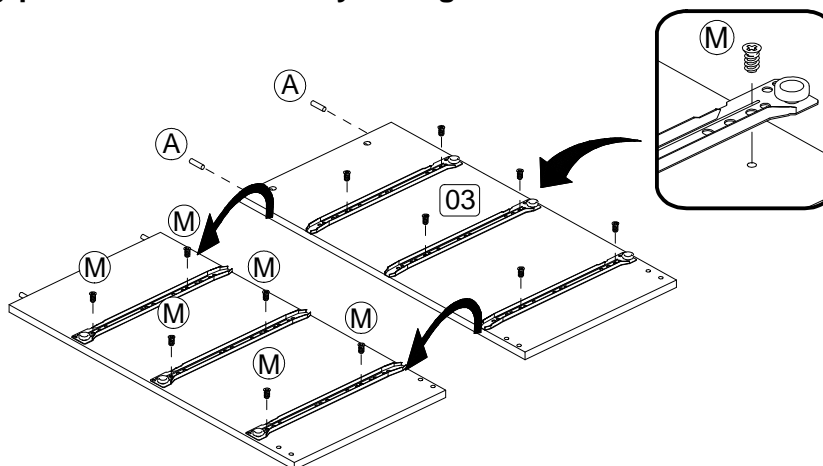
**Step 1:** Insert hardware part H into the top panel (1) using a screwdriver (not provided).  
**DO NOT use any power tools as this may damage the frame and will invalidate any claim.**



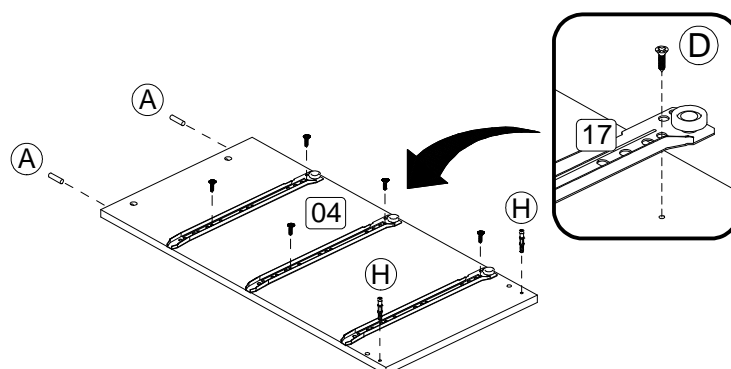
**Step 2:** Attach three drawer runners (17) to the left panel (2) using hardware part D and a screwdriver (not provided). Insert hardware parts A and H using a small mallet and a screwdriver (not provided).  
**DO NOT use any power tools as this may damage the frame and will invalidate any claim.**



**Step 3:** Attach three drawer runners (17) to each side of the centre panel (3) using hardware parts M and a screwdriver (not provided). Insert hardware part A using a small mallet (not provided).  
**DO NOT use any power tools as this may damage the frame and will invalidate any claim.**

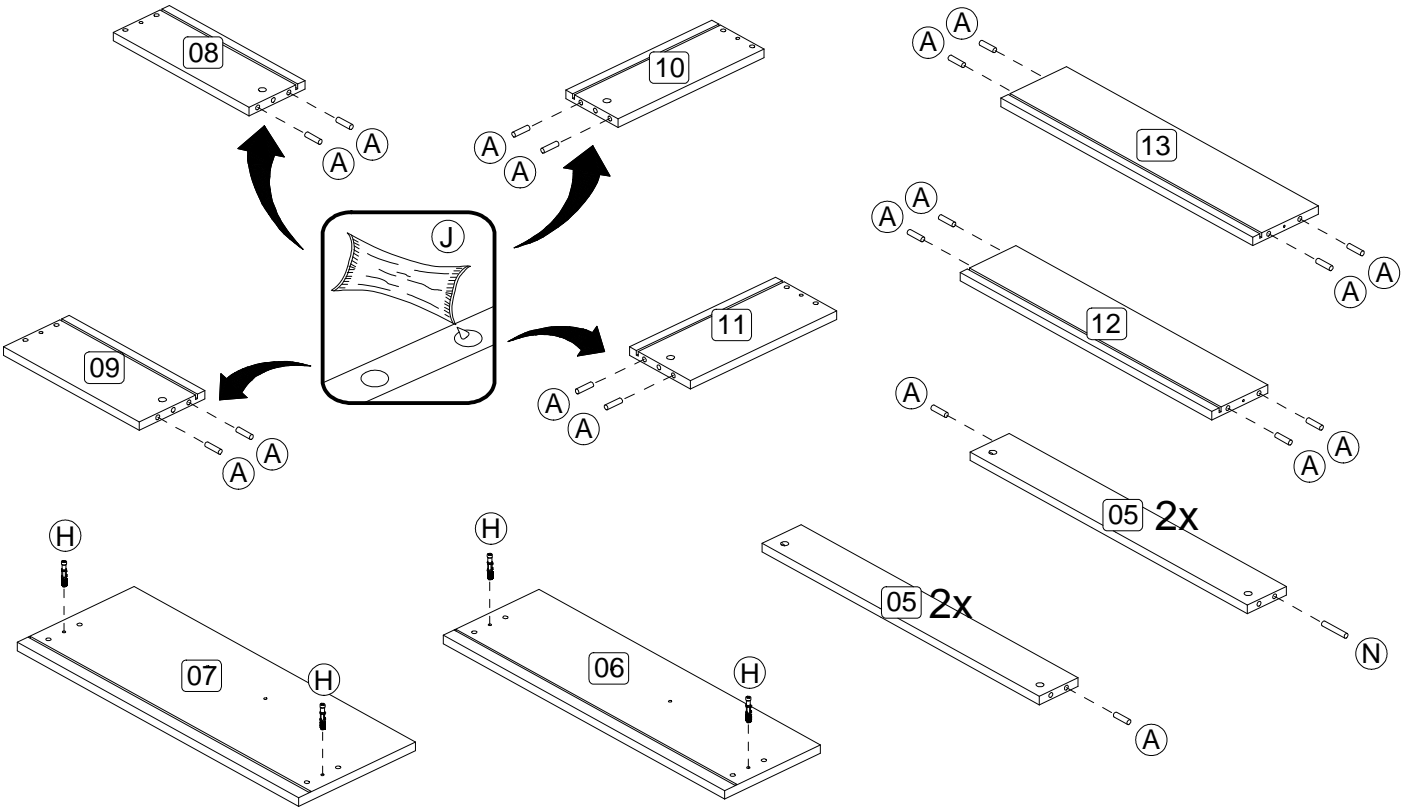


**Step 4:** Attach three drawer runners (17) to the right panel (4) using hardware parts D and a screwdriver (not provided). Insert hardware parts A and H using a small mallet and screwdriver (not provided).  
**DO NOT use any power tools as this may damage the frame and will invalidate any claim.**



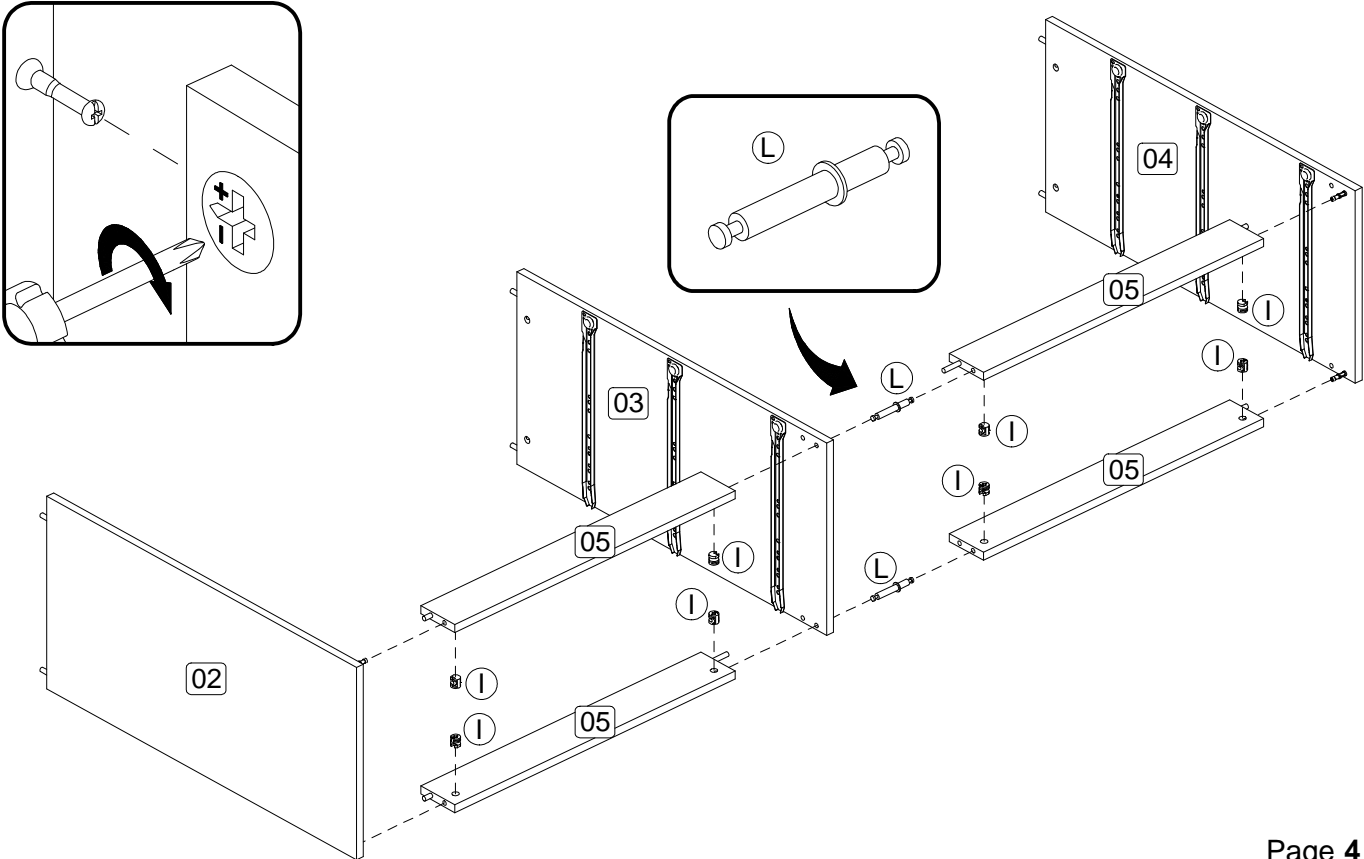
**Step 5:** Insert hardware parts A, H and N using hardware part J, a small mallet and a screwdriver (not provided).

**DO NOT use any power tools as this may damage the frame and will invalidate any claim.**



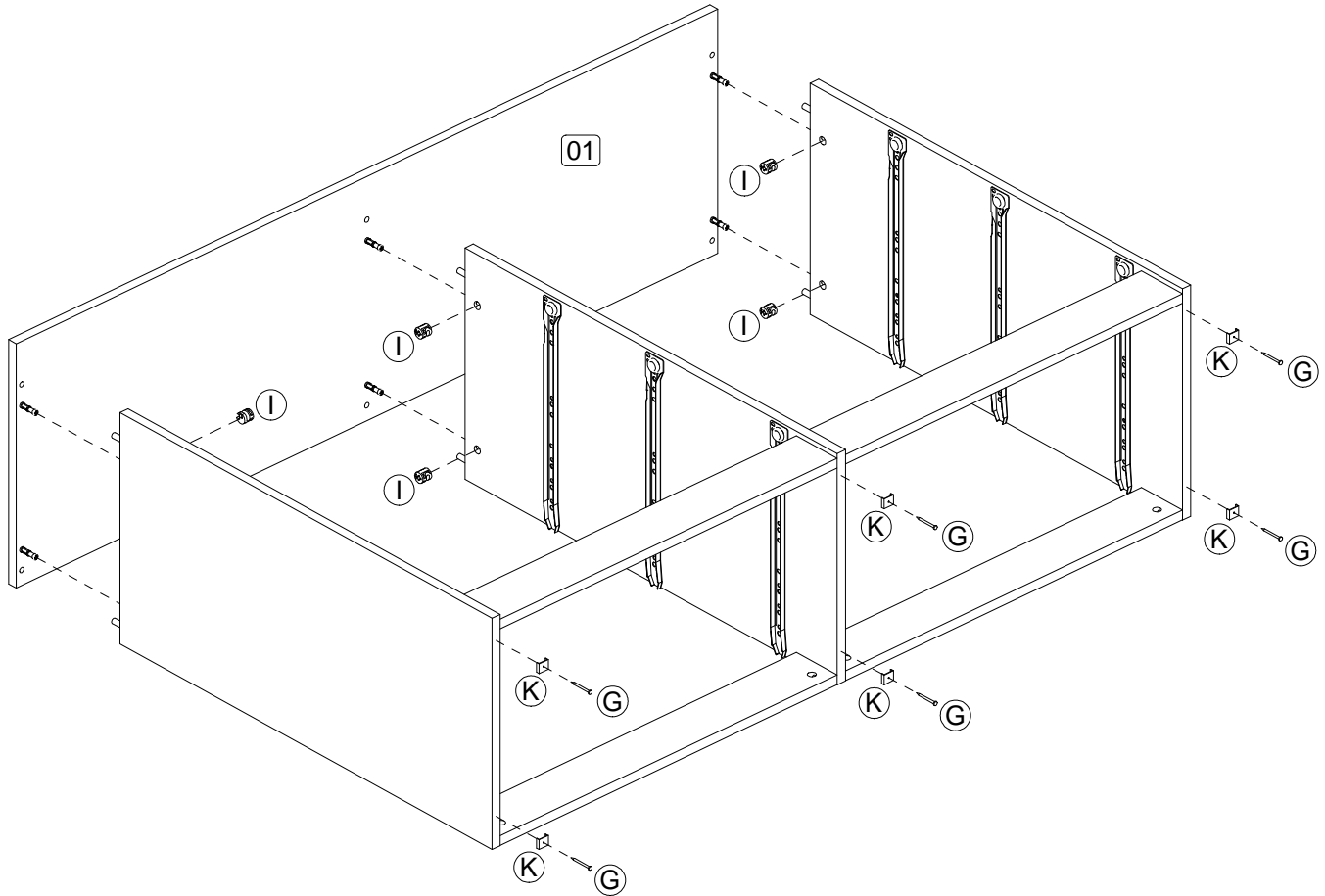
**Step 6:** Attach the plinths (5) to the left panel (2), centre panel (3) and right panel (4) using hardware parts I and L with a screwdriver (not provided).

**DO NOT use any power tools as this may damage the frame and will invalidate any claim.**



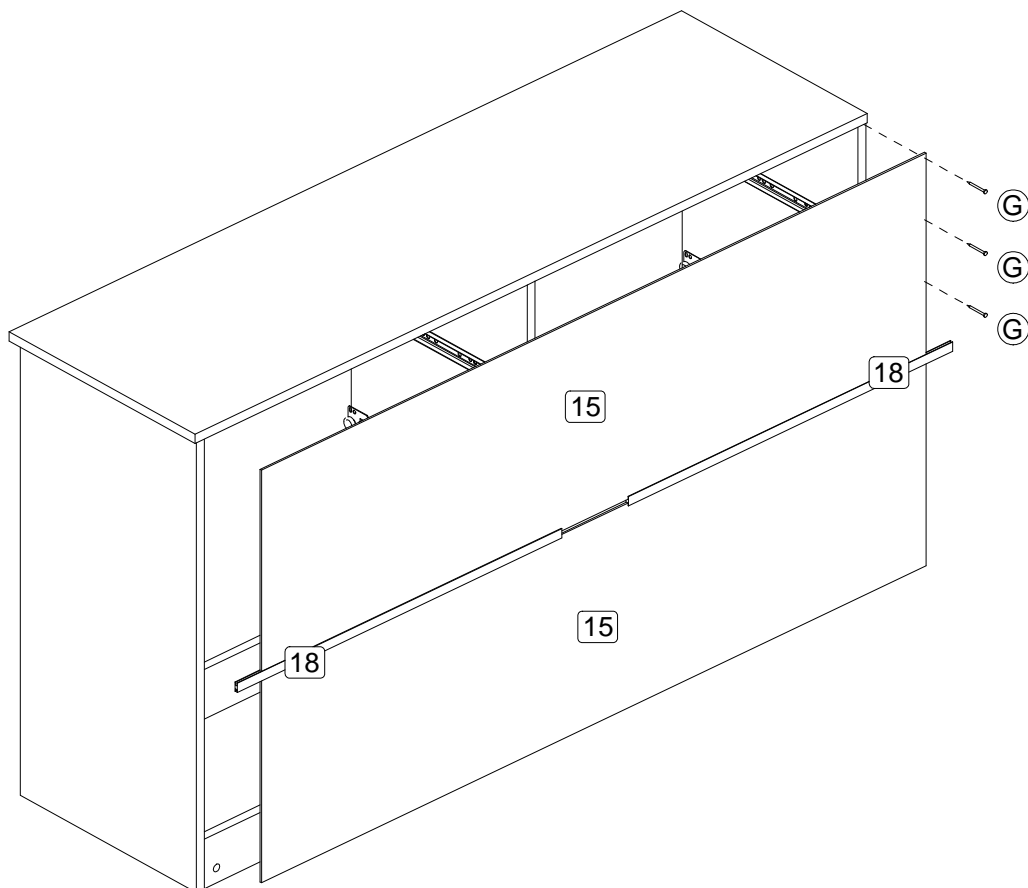
**Step 7:** Attach the top panel (1) using hardware part L. Attach hardware part K to the base using hardware part G. You will need to use a screwdriver (not provided).

**DO NOT use any power tools as this may damage the frame and will invalidate any claim.**



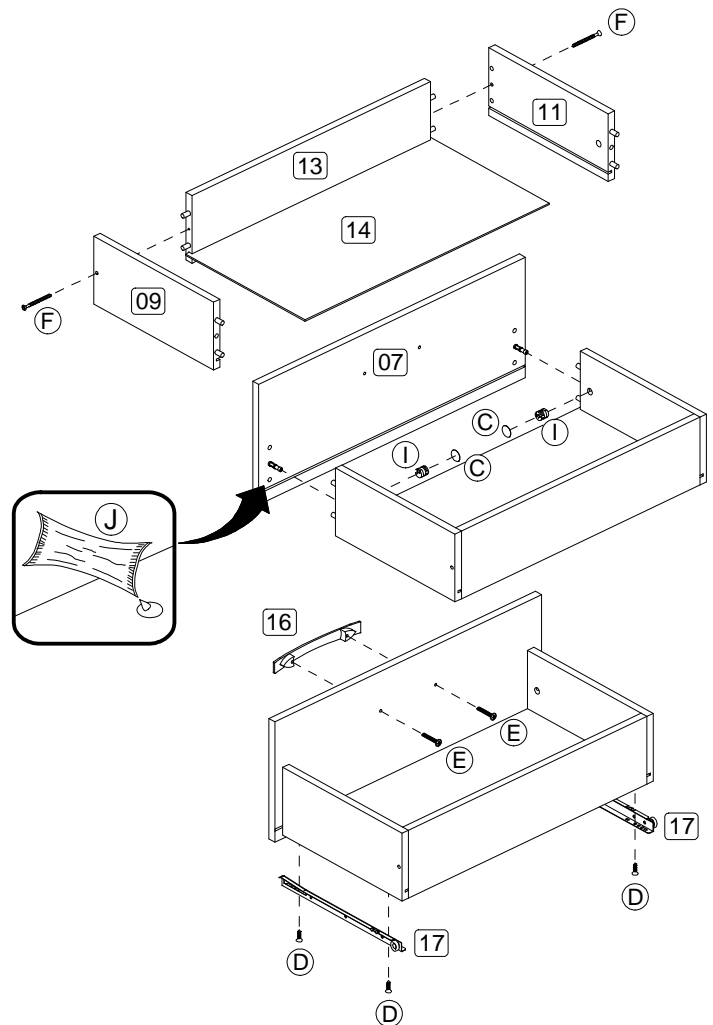
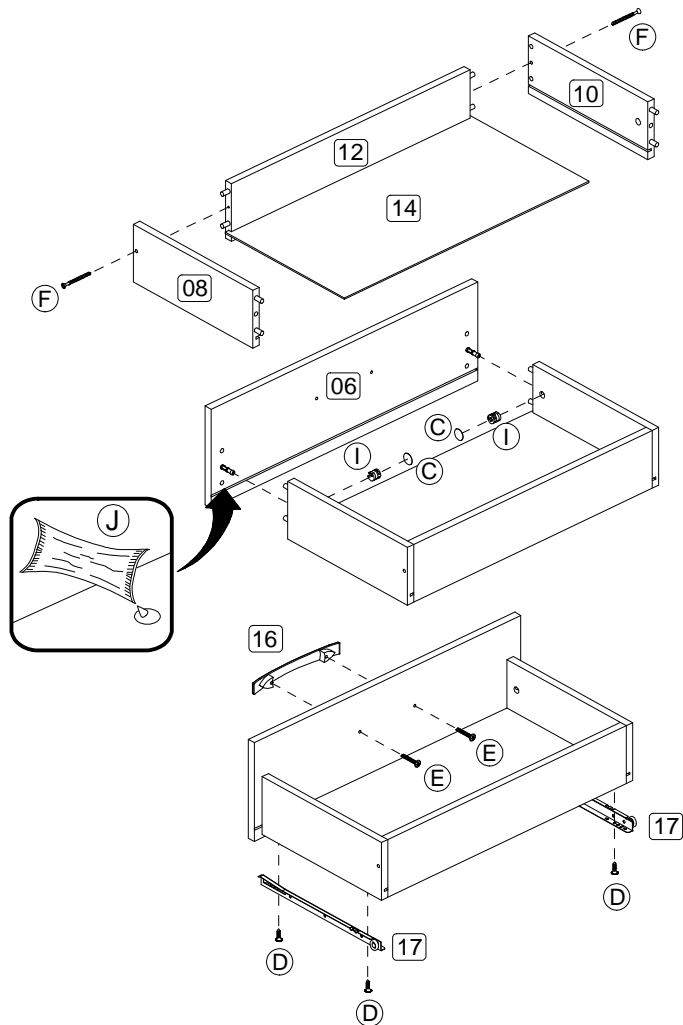
**Step 8:** Connect the back panels (15) using the spine (18) and secure using hardware part G and a small mallet (not provided).

**DO NOT use any power tools as this may damage the frame and will invalidate any claim.**



**Step 9:** Assemble the drawer components using hardware parts C, D, E, F, I and J with a screwdriver (not provided).

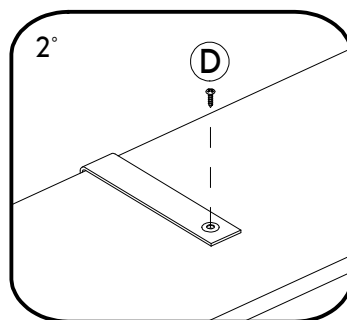
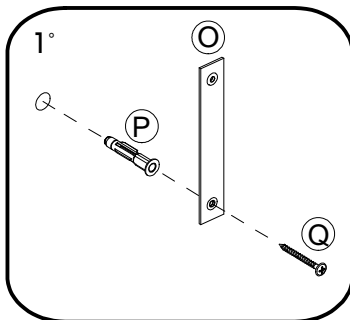
**DO NOT use any power tools as this may damage the frame and will invalidate any claim.**



**Step 10:** To secure the item to the wall use hardware parts O, P and Q using a screwdriver (not provided). Then attach hardware part D to the item with a screwdriver (not provided).

**DO NOT use any power tools as this may damage the frame and will invalidate any claim.**

**Birlea Furniture advise you use the wall straps provided to further enhance the safety of this product**



### Additional Information:

- For complete product information, images and dimension diagrams please visit the website [www.birlea.com](http://www.birlea.com)
- If you have any issues with your item please contact the retailer directly you purchased it from who will be able to resolve any issues with Birlea.
- Why don't you send us photos of your assembled furniture to [info@birlea.com](mailto:info@birlea.com) to be shared in our #birleahome feature on Instagram.



# Birlea

Suppliers of inspiration