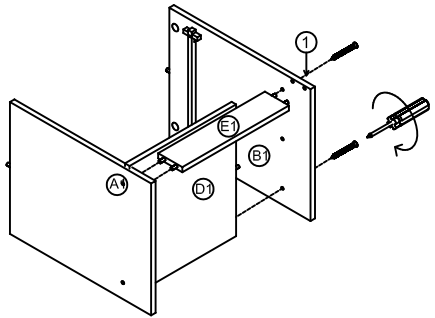
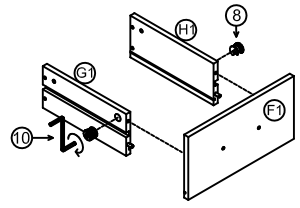


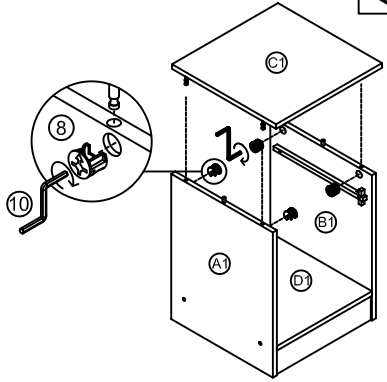
STEP5



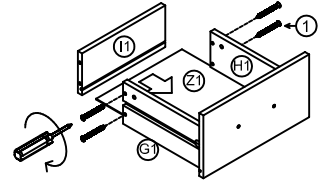
STEP8



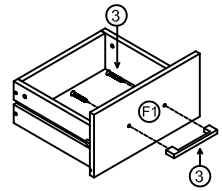
STEP6



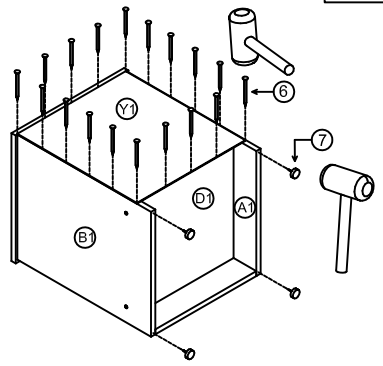
STEP9



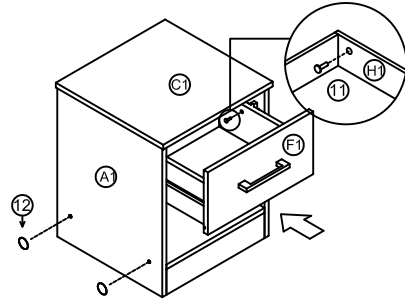
STEP10



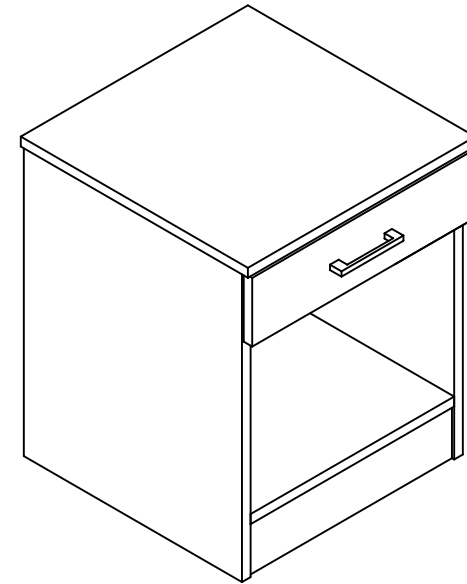
STEP7



STEP11



# PANAMA - BEDSIDE TABLE



# PANAMA - BEDSIDE TABLE

## Important Information

### GENERAL

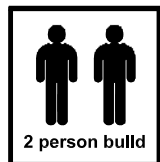
- **Important:** Retain these instructions for future reference.
- Due to the size of this product we recommend that it is assembled in the room intended for use.
- When you are ready to start, make sure that you have the right tools, plenty of space and a clean, dry smooth area for assembly.
- Unwrap all packaging materials and place the components on top of the carton box or on a clean floor to prevent it from scratching.
- Check the pack and make sure you have all the parts listed.
- Ensure that this product is fully assembled as illustrated before use.
- Tools not included.
- Check all screw or bolts are tightened and inspect regularly.

### WARNINGS

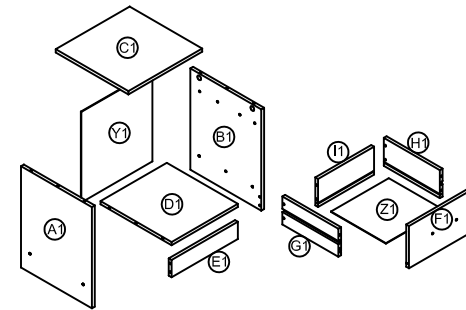
- This product should only be used on firm, level ground.
- Keep small parts out of reach of children.
- make sure the legs remains in contact with the ground.
- Do not use power tools to construct this product.
- Do not tighten screws until fully assembled.
- Do not over tighten screws or bolts.
- Do not use this product if parts are missing, damaged or worn.
- Do not sit or stand on the product.

### CARE INSTRUCTIONS

- Never use scourers, abrasives or chemical cleaners.
- To clean wipe with a sponge and warm soapy water Do not use solvent based cleaners or detergents as they can bleach or damage the product.

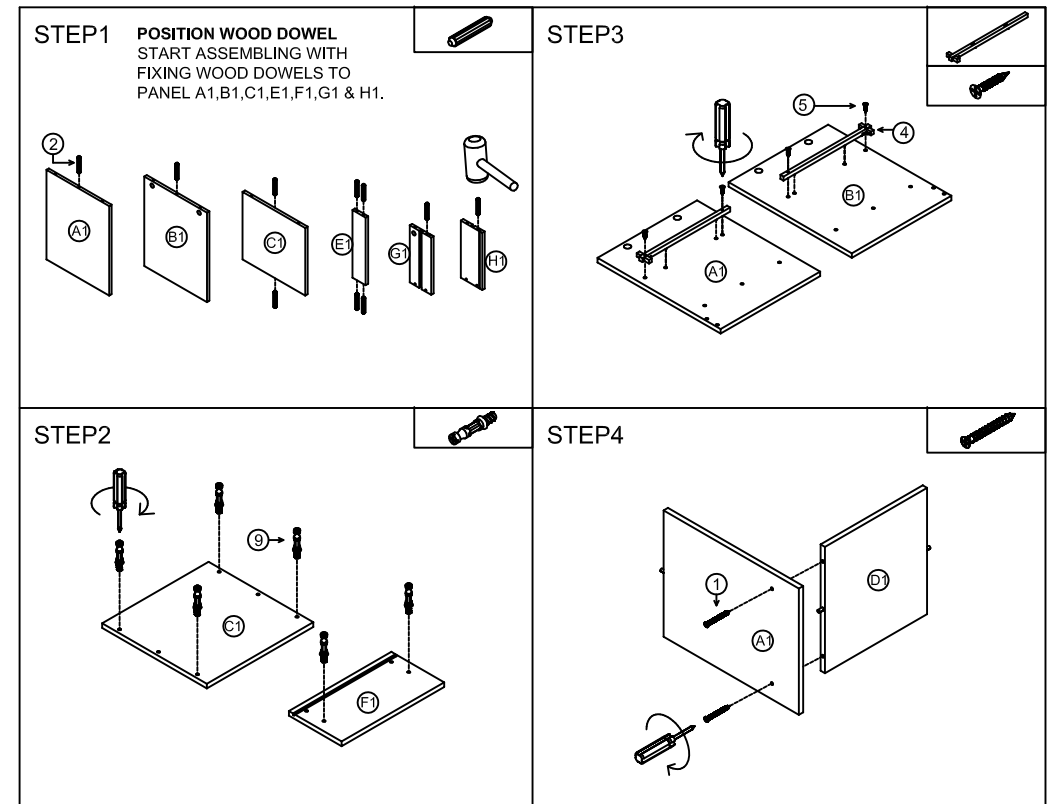


### FIXINGS

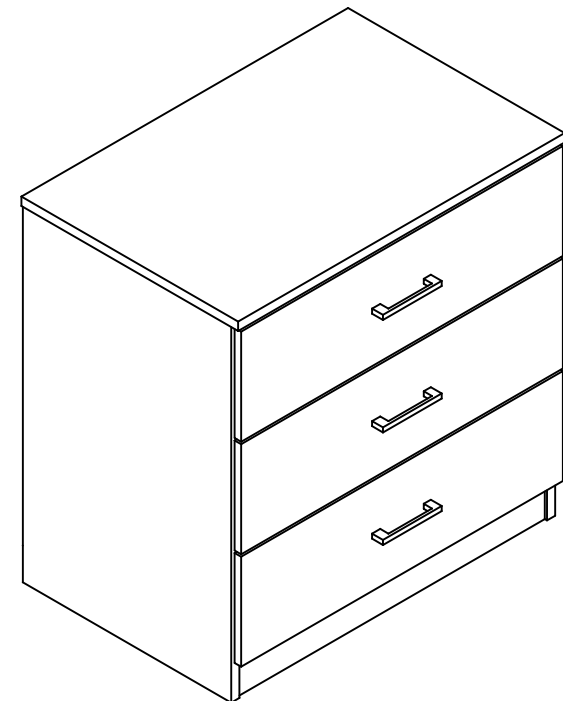
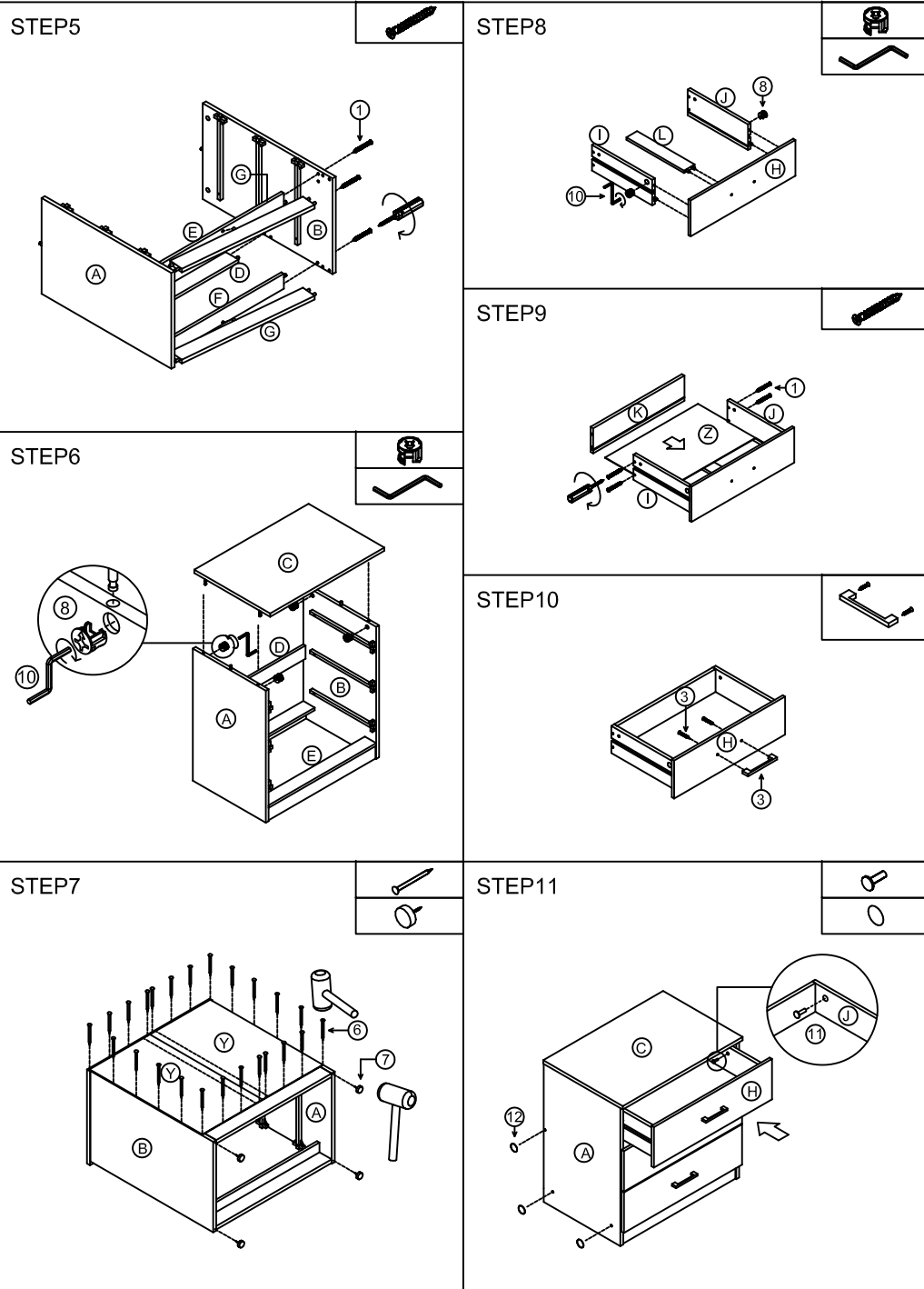


### PARTS:

1		CSK SCREW (4.7 x 38mm)	8
2		WOOD DOWEL (6 x 30mm)	10
3		PVC HANDLE (96 HOLE)	1
		CSK SCREW(4 x 25mm)	2
4		PVC DRAWER SLIDE (CL)(300)	2
5		CSK SCREW (3.1 x 20mm)	4
6		NAIL PIN	18
7		NAIL LEG STUD	4
8		CAM (9 x 15mm)	6
9		MINIFIX	6
10		ALLEN KEY Z	1
11		DRAWER STOPPER(4.5 x 20mm)	2
12		STICKER (Ø19)	4



# PANAMA - 3 DRAWER CHEST



# PANAMA - 3 DRAWER CHEST

## Important Information

### GENERAL

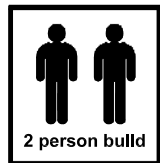
- **Important:** Retain these instructions for future reference.
- Due to the size of this product we recommend that it is assembled in the room intended for use.
- When you are ready to start, make sure that you have the right tools, plenty of space and a clean, dry smooth area for assembly.
- Unwrap all packaging materials and place the components on top of the carton box or on a clean floor to prevent it from scratching.
- Check the pack and make sure you have all the parts listed.
- Ensure that this product is fully assembled as illustrated before use.
- Tools not included.
- Check all screw or bolts are tightened and inspect regularly.

### WARNINGS

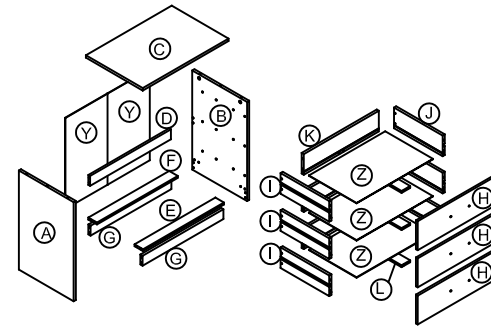
- This product should only be used on firm, level ground.
- Keep small parts out of reach of children.
- make sure the legs remains in contact with the ground.
- Do not use power tools to construct this product.
- Do not tighten screws until fully assembled.
- Do not over tighten screws or bolts.
- Do not use this product if parts are missing, damaged or worn.
- Do not sit or stand on the product.

### CARE INSTRUCTIONS

- Never use scourers, abrasives or chemical cleaners.
- To clean wipe with a sponge and warm soapy water Do not use solvent based cleaners or detergents as they can bleach or damage the product.

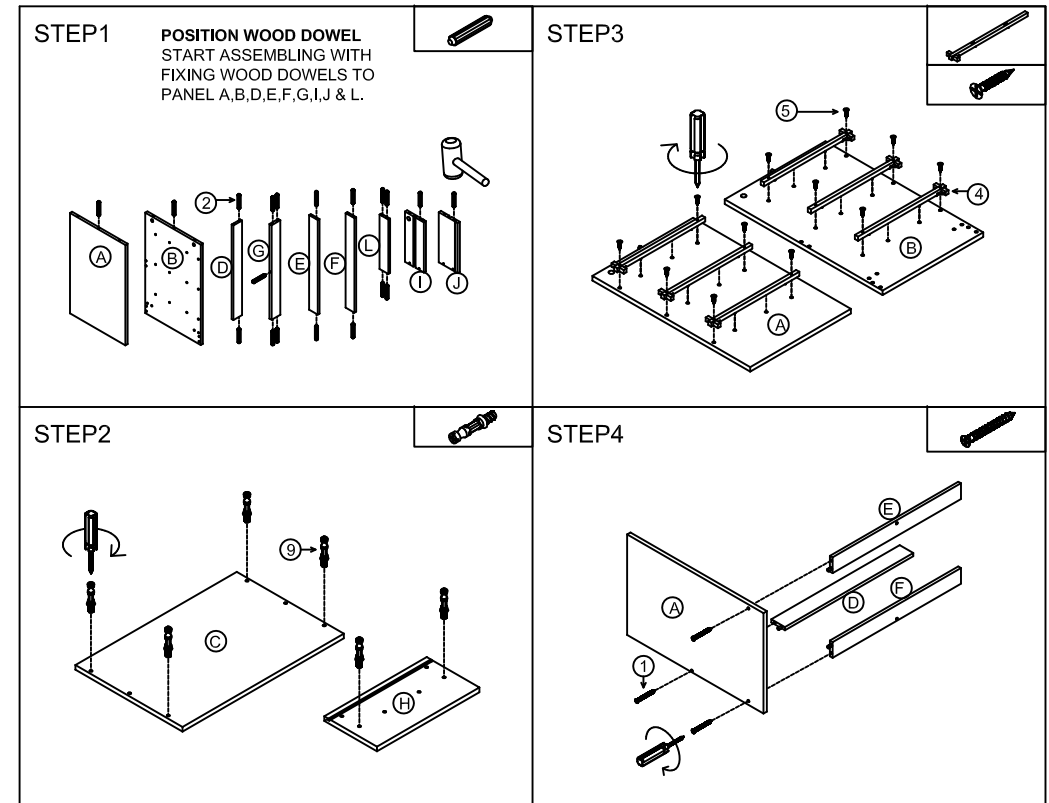


### FIXINGS

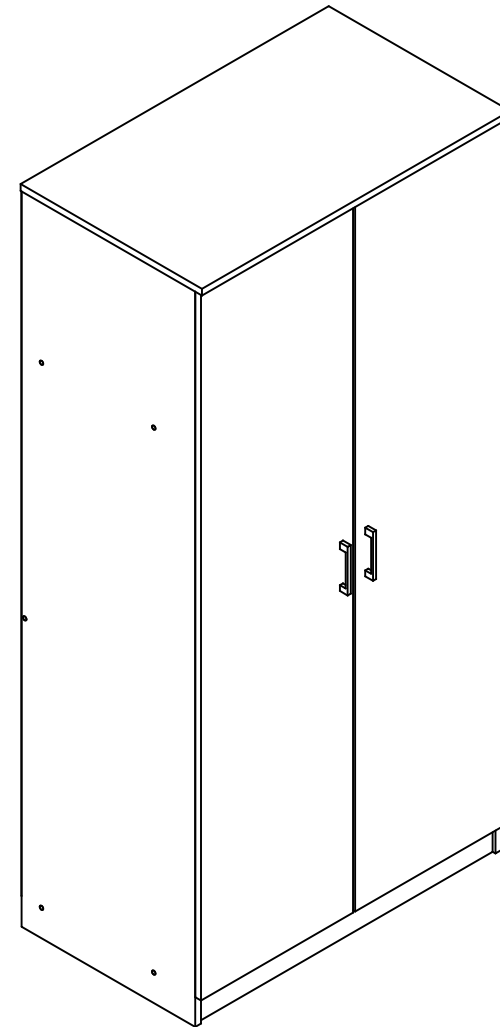
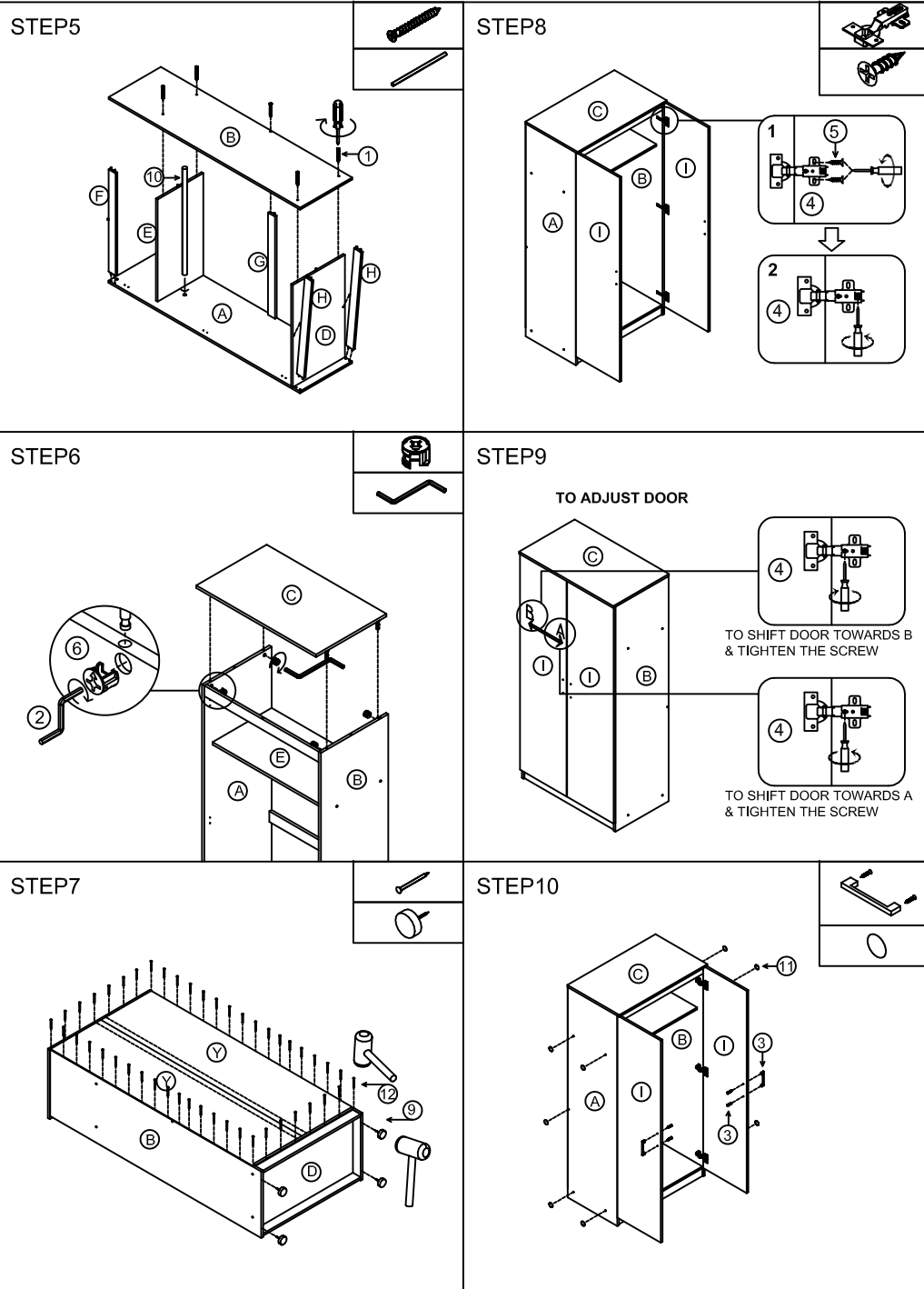


### PARTS:

1		CSK SCREW (4.7 x 38mm)	18
2		WOOD DOWEL (6 x 30mm)	36
3		PVC HANDLE (96 HOLE)	3
		CSK SCREW(4 x 25mm)	6
4		PVC DRAWER SLIDE (300mm)	6
5		CSK SCREW (3.1 x 20mm)	12
6		NAIL PIN	24
7		NAIL LEG STUD	4
8		CAM (12 x 15mm)	10
9		MINIFIX	10
10		ALLEN KEY Z	1
11		DRAWER STOPPER(5 x 23mm)	6
12		STICKER (Ø19)	6



# PANAMA - 2 DOOR WARDROBE



# PANAMA - 2 DOOR WARDROBE

## Important Information

### GENERAL

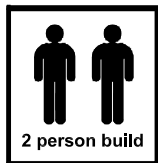
- **Important:** Retain these instructions for future reference.
- Due to the size of this product we recommend that it is assembled in the room intended for use.
- When you are ready to start, make sure that you have the right tools, plenty of space and a clean, dry smooth area for assembly.
- Unwrap all packaging materials and place the components on top of the carton box or on a clean floor to prevent it from scratching.
- Check the pack and make sure you have all the parts listed.
- Ensure that this product is fully assembled as illustrated before use.
- Tools not included.
- Check all screw or bolts are tightened and inspect regularly.

### WARNINGS

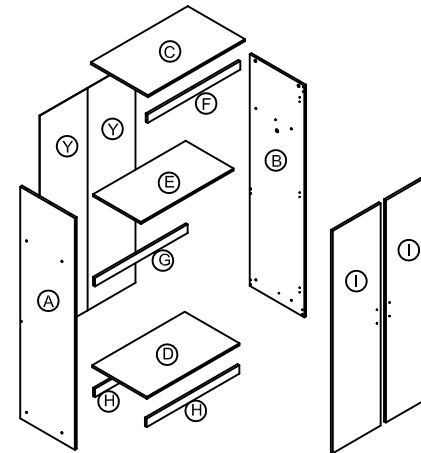
- This product should only be used on firm, level ground.
- Keep small parts out of reach of children.
- make sure the legs remains in contact with the ground.
- Do not use power tools to construct this product.
- Do not tighten screws until fully assembled.
- Do not over tighten screws or bolts.
- Do not use this product if parts are missing, damaged or worn.
- Do not sit or stand on the product.
- We recommend the use of the wall strap provided for safety reason N.B wall fixing are not included - please source suitable fixings for your wall type. If in doubt please consult a qualified trades person. Warning: Always ensure the area to be drilled is free from hidden electrical wires, water & gas pipes.

### CARE INSTRUCTIONS

- Never use scourers, abrasives or chemical cleaners.
- To clean wipe with a sponge and warm soapy water Do not use solvent based cleaners or detergents as they can bleach or damage the product.



## FIXINGS



## PARTS:

1		CSK SCREW (4.7 x 38mm)	10
2		ALLEN KEY Z	1
3		PVC HANDLE (96 HOLE)	2
		CSK SCREW (4 x 25mm)	4
4		METAL HINGE (5/8") + METAL PLATE	6 SETS
5		CSK SCREW (M3.5 x 15mm)	24
6		CAM (12 x 15mm)	4
7		MINIFIX	4
8		WOOD DOWEL (6 x 30mm)	23
9		NAIL LEG STUD	4
10		METAL HANGER (Ø19 x 774mm)	1
11		STICKER (Ø19)	10
12		NAIL	34

