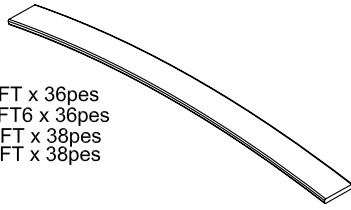


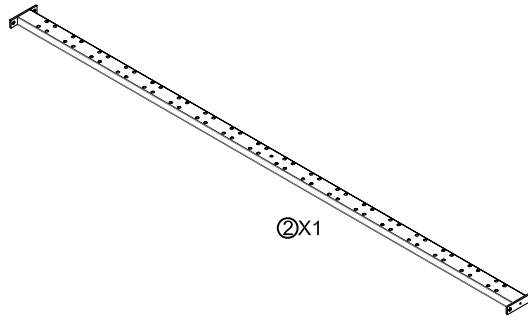
- o Wipe clean using a soft damp cloth followed by a dry cloth.
- o Do not use abrasives or cleaning products which may contain ammonia or solvents.
- o Take care when handling or moving the furniture. Careless handling can damage wooden furniture, try to lift rather than drag.
- o 5mm gaps should be set-up between the base of the centre support legs and the floor.

## PARTS LIST

① 4FT x 36pes  
4FT6 x 36pes  
5FT x 38pes  
6FT x 38pes



②X1



## HARDWARE LIST



Ⓐ M8X20mm=8pcs



Ⓑ M6X40mm=1pc



Ⓒ M6X20mm=4pcs



Ⓓ 1pc



Ⓔ 1pc

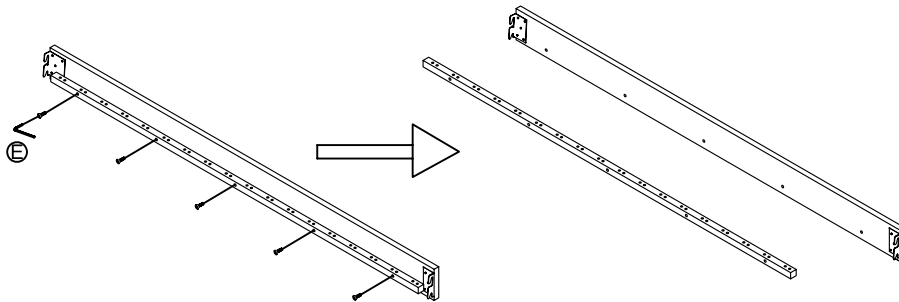


Ⓕ 4FT6 x 72pes  
5FT x 76pes  
6FT x 76pes

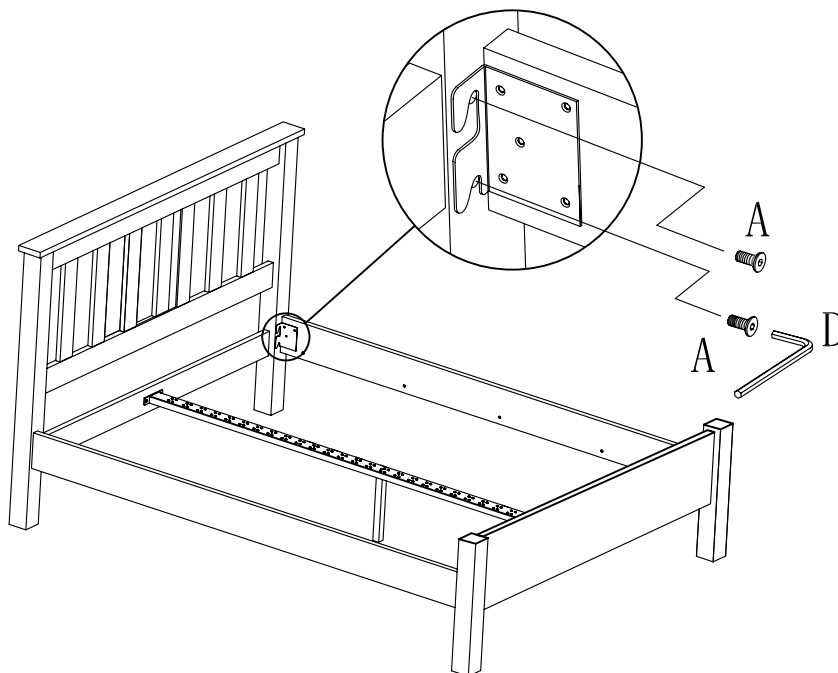


Ⓖ 1pc

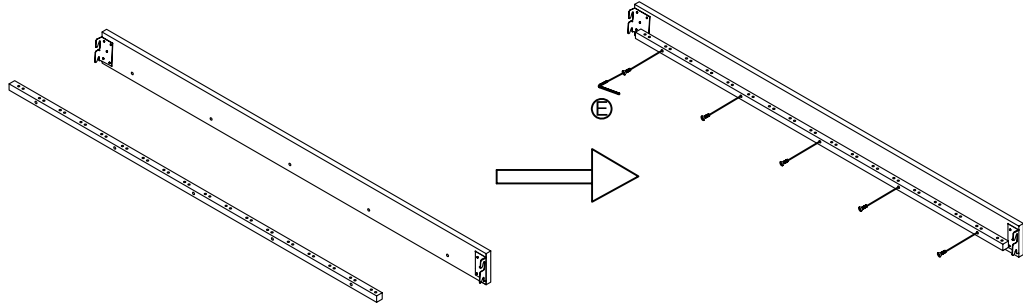
## STEP1



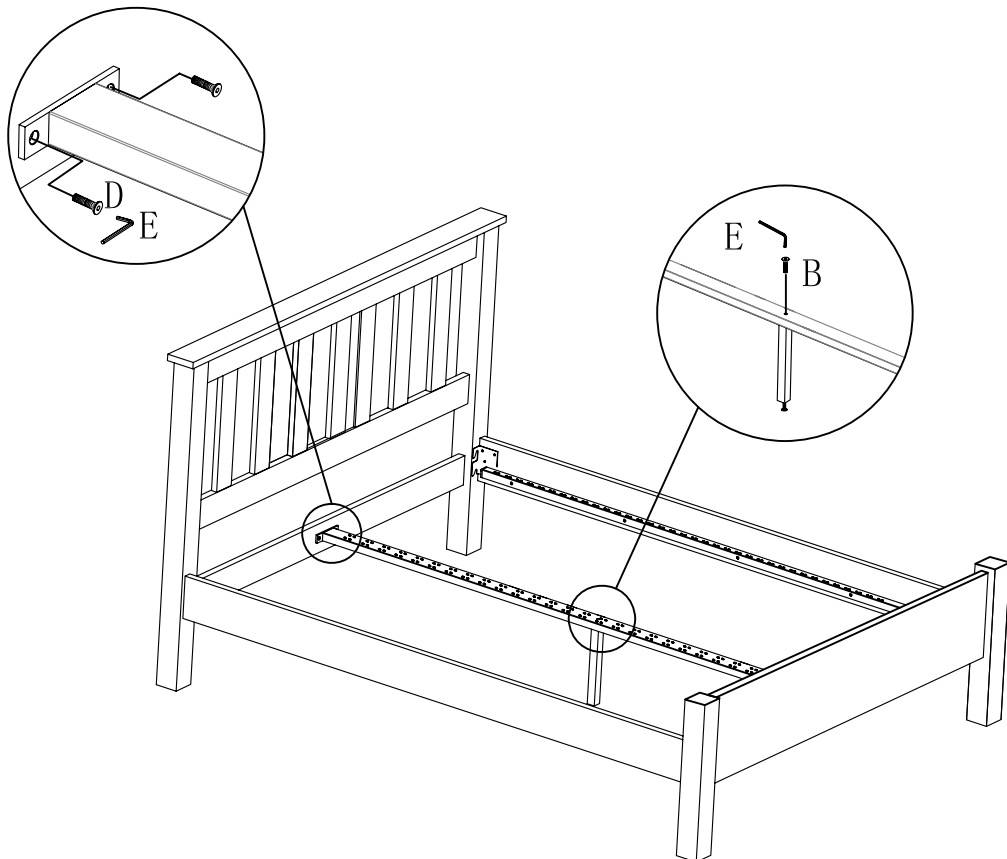
## STEP2



**STEP3**



**STEP4**



STEP 5

