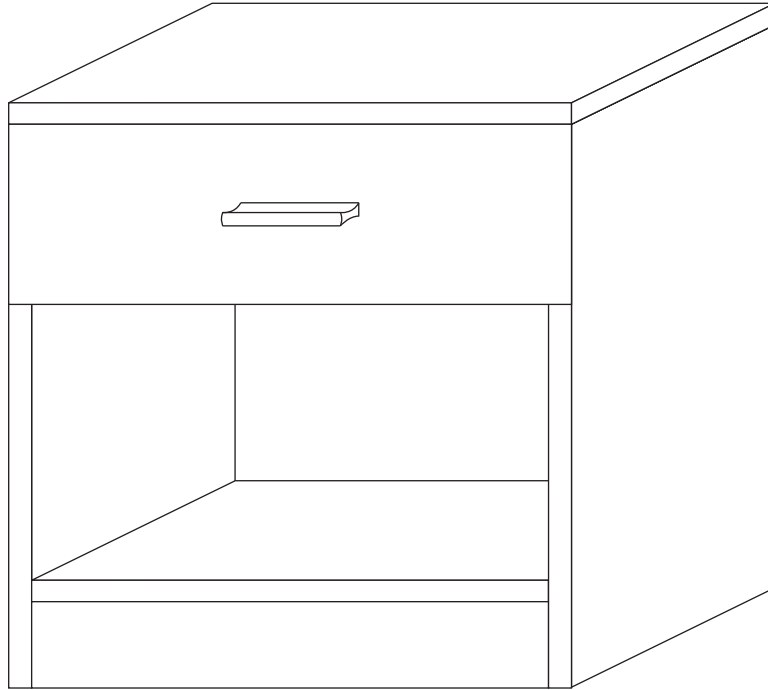


OTTAWA NIGHTSTAND ASSEMBLY INSTRUCTIONS

Thank you for purchasing the OTTAWA NIGHTSTAND. Please read the instructions carefully to ensure safe operation of the product.



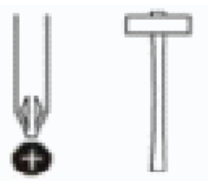
45*35*46CM/PINK+WHITE/WHITE+BLACK/OAK+WHITE

PLEASE READ this sheet prior to assembly to familiarise yourself with the various stages of construction.

Carefully open the pack supplied and check the contents against the parts and fittings check list. Do not destroy any of the packaging until you are certain that you have all the necessary parts for the assembly.

CAUTION: There are small components used in the construction of this unit. These loose items should be kept away from young children whilst assembling your unit to avoid the danger of choking hazards.

Tools Required



1 Person Build

Batch No.: WMI 141036

Page 1 of 6

OTTAWA NIGHTSTAND ASSEMBLY INSTRUCTIONS

IMPORTANT - READ CAREFULLY - RETAIN THESE INSTRUCTIONS FOR FUTURE REFERENCE.

INFORMATION

- This product is intended for a maximum weight of **50 kg**. Do not exceed this weight.
- Due to the size of this product we recommend that it is assembled in the room intended for use.
- When you are ready to start, make sure that you have the right tools, plenty of space and a clean, dry area for assembly.
- Unwrap all packaging materials and place the components on top of the carton box or on a clean floor to prevent it from scratching.
- Check the pack and make sure you have all the parts listed.
- Ensure that this product is fully assembled as illustrated before use.
- Check all screws or bolts are tightened and inspect regularly
- Tools not included.

WARNINGS

- This product should only be used on firm, level ground.
- Keep small parts out of reach of children.
- Make sure the legs remain in contact with the ground.
- Do not use power tools to construct this product.
- Do not tighten screws until fully assembled.
- Do not over tighten screws or bolts.
- Do not use this product if parts are missing, damaged or worn.
- Do not sit or stand on the product.

CARE INFORMATION

- Never use scourers, abrasives or chemical cleaners.
- To clean wipe with a sponge and warm soapy water. Do not use solvent based cleaners or detergents as they can bleach or damage the product.

OTTAWA NIGHTSTAND ASSEMBLY INSTRUCTIONS

Parts and Fittings Checklist

Please check the pack contents before assembling this product. If any components are missing, please contact your retailer.

The fittings pack contains small items that should be kept away from small children.

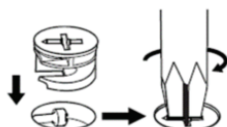
PARTS

LEFT HAND SIDE PANEL(1PC) 	RIGHT HAND SIDE PANEL(1PC) 	BOTTOM PANEL(1PC) 	FRONT BOTTOM CROSS BAR(1PC)
BACK PANEL(1PC) 	DRAWER BACK(1PC) 	DRAWER/LEFT HAND SIDE PANEL(1PC) 	DRAWER/ RIGHT HAND SIDE PANEL(1PC)
DRAWER BOTTOM(1PC) 	DRAWER FRONT(1PC) 	TOP PANEL(1PC) 	

FITTINGS

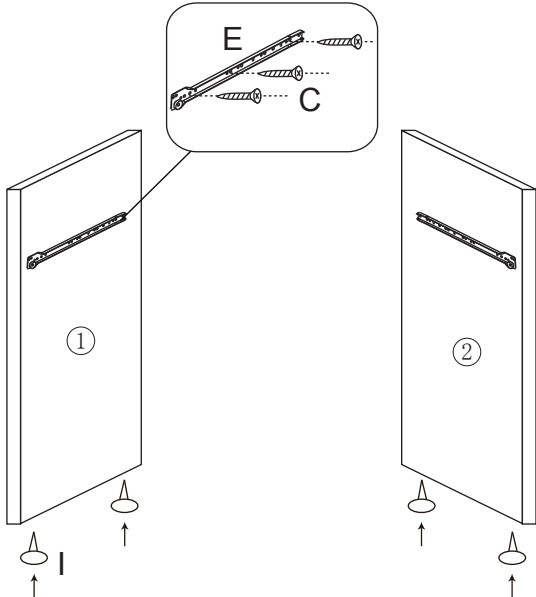
Code	Item		Quantity
A	DOWEL (Ø 8X30mm)		12
B	SCREW(Ø 5X40mm)		8
C	SCREW(Ø 3.5X14mm)		12
D	CAM BOLT & NUT		8
E	RUNNER TRACK (30mm)		2
F	RUNNER (30mm)		2
G	NAIL (20MM)		8
H	HANDLE & BOLT		1
I	FOOT		4
J	STICKERS		1

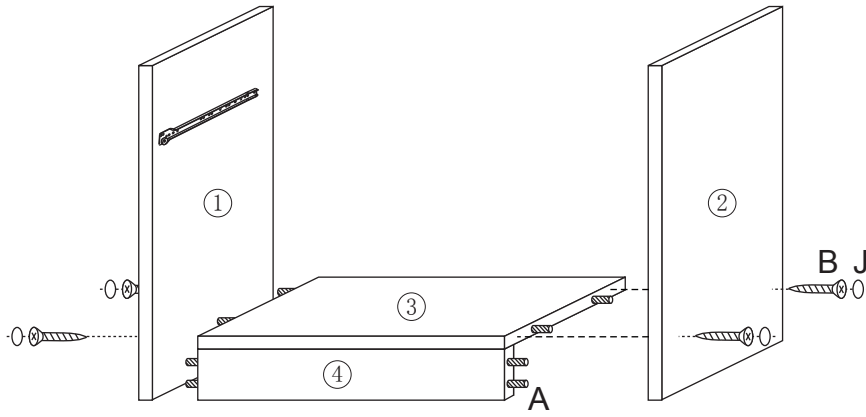
General Hints and Tips



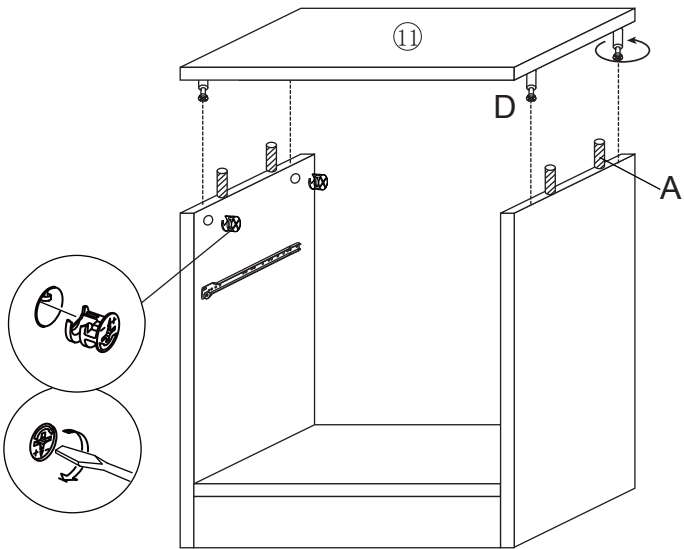
Ensure the arrow on the Cam is pointing towards the hole for the Cam Bolt. Once the Cam Bolt is inserted into the Cam, turn the Cam clockwise with a Screwdriver 90 - 180 degrees until secure.

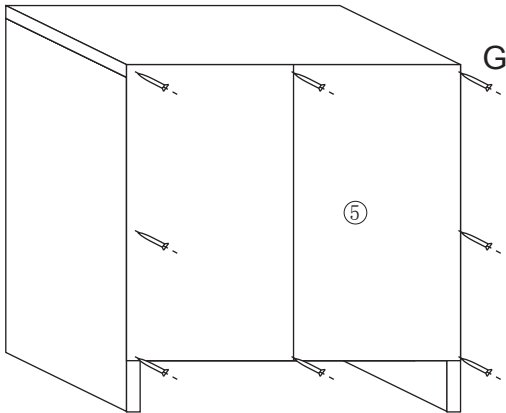
OTTAWA NIGHTSTAND ASSEMBLY INSTRUCTIONS

STEP 1	
	PARTS REQUIRED <ul style="list-style-type: none">1. LEFT HAND SIDE PANEL X 12. RIGHT HAND SIDE PANEL X 1C. SCREW X 6E. RUNNER TRACK X 2I. FOOT X 4

STEP 2	
	PARTS REQUIRED <ul style="list-style-type: none">1. LEFT HAND SIDE PANEL X 12. RIGHT HAND SIDE PANEL X 13. BOTTOM PANEL X 14. FRONT BOTTOM CROSS BAR X 1A. DOWEL X 8B. SCREW X 4J. STICKERS X 1

OTTAWA NIGHTSTAND ASSEMBLY INSTRUCTIONS

STEP 3	
	PARTS REQUIRED 11. TOP PANEL X 1 A. DOWEL X 4 D. CAM BOLT & NUT X 4

STEP 4	
	PARTS REQUIRED 5. BACK PANEL X 1 G. NAIL X 8

OTTAWA NIGHTSTAND ASSEMBLY INSTRUCTIONS

STEP 5

PARTS REQUIRED

- 6. DRAWER BACK X 1
- 7. DRAWER/LEFT HAND SIDE PANEL X 1
- 8. DRAWER/RIGHT HAND SIDE PANEL X 1
- 9. DRAWER BOTTOM X 1
- 10. DRAWER FRONT X 1
- B. SCREW X 4
- C. SCREW X 6
- D. CAM BOLT & NUT X 4
- F. RUNNER X 2
- H. HANDLE & BOLT X 1

COMPLETE