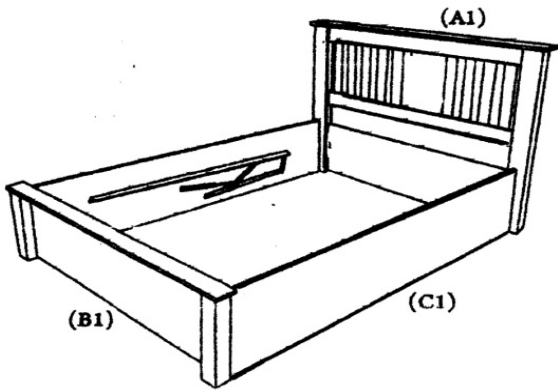
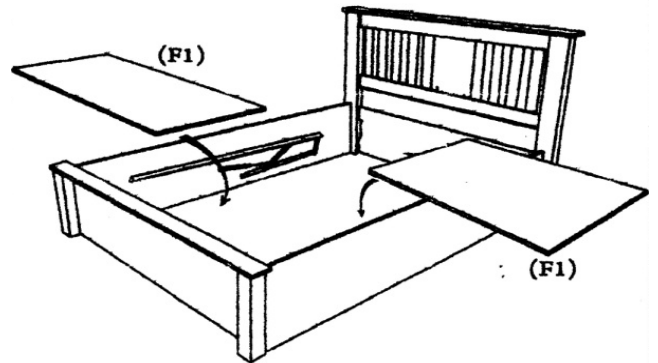


STEP 1



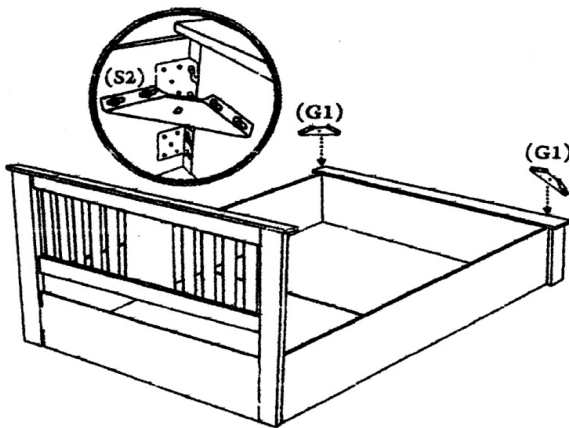
Attach the side rails (C1) to the headboard (A1) with bolts (S1). Secure into position using the supplied allen key to tighten. Repeat same step for footboard.

STEP 2



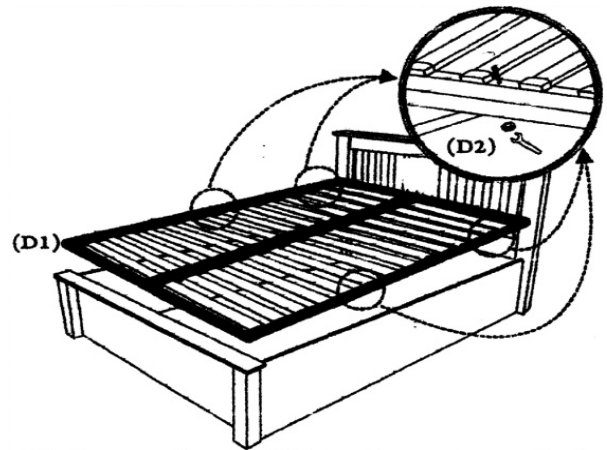
Place the plywood base boards (F1) into storage area (as shown).

STEP 3



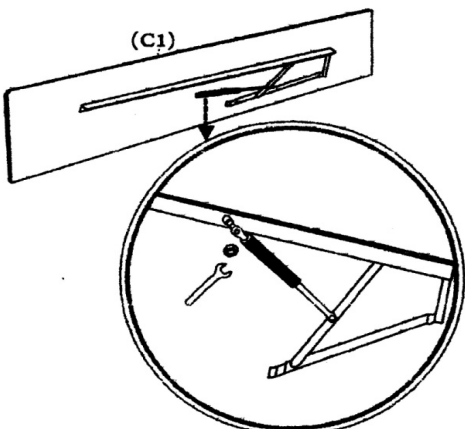
Fasten the corner support (G1) onto both the side rails and footend with bolts (S2).

STEP 4



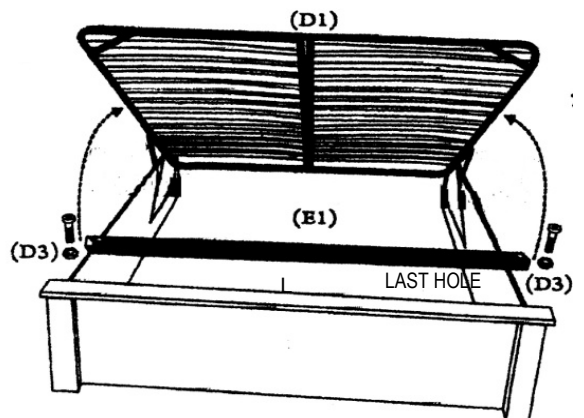
Place the metal frame (D1) onto the lift up mechanism and secure using Gold bolts and nuts (D2).

STEP 5



Attach the pre-fitted gas spring to the side rail brackets with pre-fitted bolt.

STEP 6



Attach the horizontal support bar (E1) - 1pc under the metal frame (D1) with Black bolts & nuts (D3).