

CELINE 135cm BED

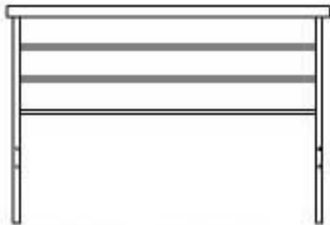


1. Please read through and follow the step-by-step instructions in the leaflet.
 2. We recommend that assembly is done in the room intended for use and it is assembled by two people.
 3. Please do not discard any packaging before you have checked all the parts and fittings are included.
 4. Assemble this product on a flat and clean surface to avoid scratching.
 5. Do not tighten any bolts before all the parts have been assembled loosely. Product and/or fittings might be damaged by over tightening screws or bolts. Beware of cross-threading the screws or nuts during assembly.
 6. Keep fittings away from childrens' resch.
 7. Wipe clean using soft damp cloth followed by a dry cloth.
 8. Do not use abrasives or cleaning peoducts which may contain ammonia or solvents.
 9. Take care when handling or moving the furniture. Careless handling can damage the flooring. try to lift rather than drag.
- SAFETY WARNING:** Do not stand on the bedbase without a mattress on it.

COMPONENT PARTS

ASSEMBLY INSTRUCTIONS

[A]-Headend



[B]-Footend



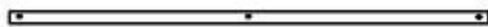
[C]- Siderail x 2pcs



[D] - Centre Rail x 1pc



[E] - Across Bar x 3pcs



[F] - Centre Plastic Holders x 12pcs



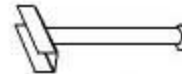
[G] - Side Plastic Holders x 24pcs



[H] - Wooden Slat x 24pcs



[I] - Support Leg x 3pcs



[J] - Wood Knobs x 4pcs

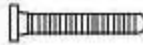


FITTINGS

[1] - M6x20mm bolts x 8pcs



[2] - M6x50mm bolts x 6 pcs



[3] - M6 Hex Nuts x 14 pcs



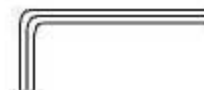
[4] - M6x55mm bolts x 3 pcs



[5] - M6x35mm bolts x 5 pc



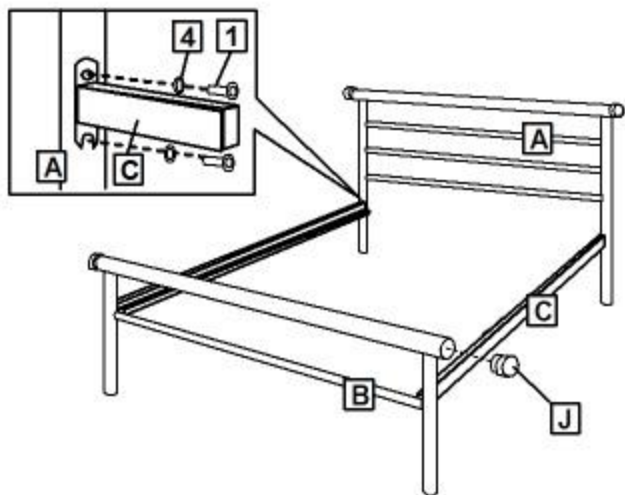
[6] - M6 Allen Key x 1pc



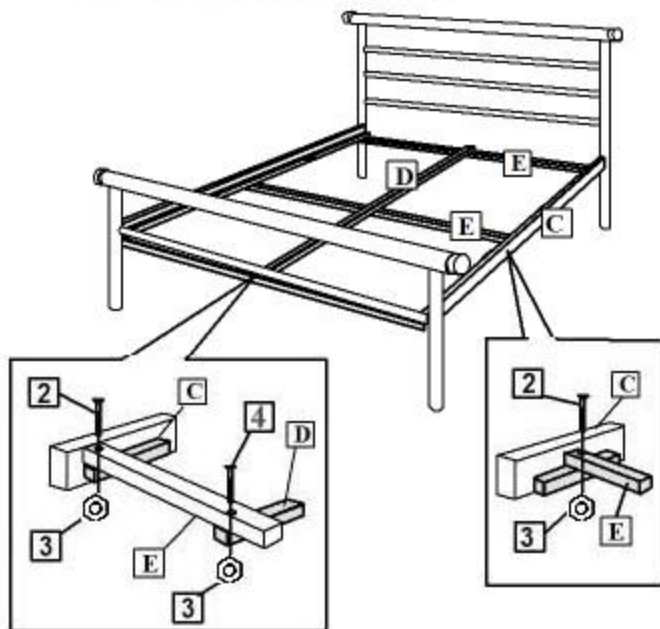
[7] - Spanner x 1pc



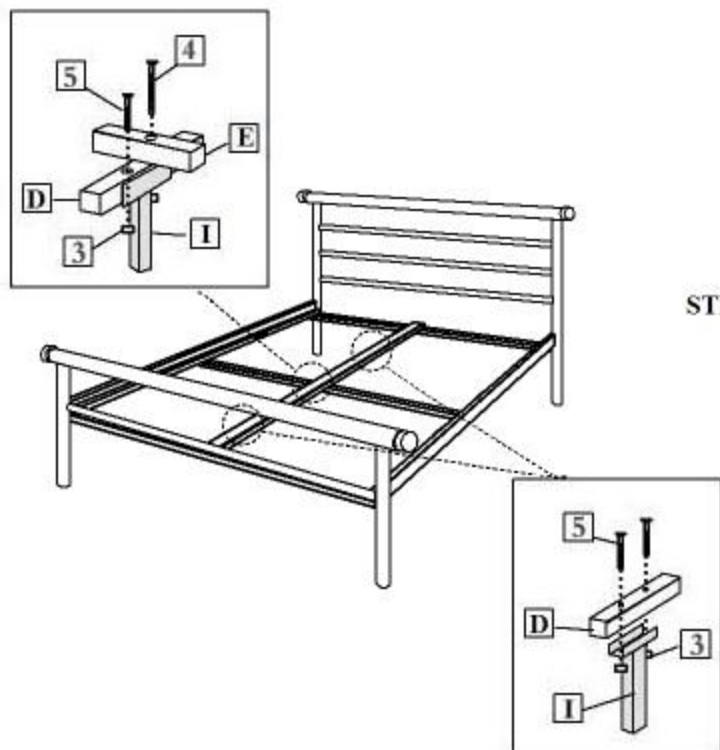
STEP 1 : Attach the Siderails [C] to the Headend [A] and Footend [B].



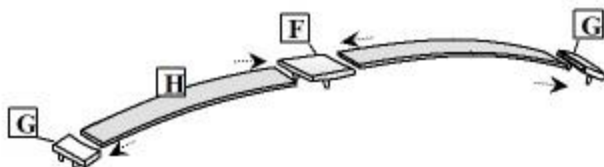
STEP 2 : Attach Centre Bar [D] and Across Bars [E] to Siderails [C] to form the bed base.



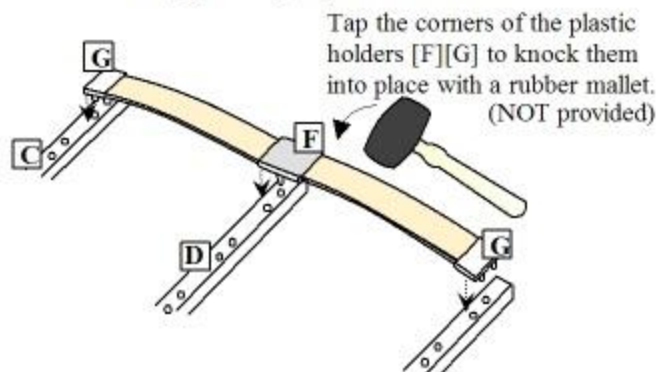
STEP 3 : Fix the Support Legs [I] to the centre bar [D].
2 LEGS ON THE GAP BETWEEN 2nd SLATS AND 3rd SLATS FROM BOTH END and ONE LEG IN THE MIDDLE.



STEP 4 : Insert the Bend Wood Slat [H] into the Plastic Holders [F][G] as shown.



STEP 5 : Align the pins on the Plastic Holders [F][G] to the holes along the Centre Bar [D] and the Siderails [C]. Gently tap them into the holes.



CARE INSTRUCTIONS

- Wipe clean using a soft damp cloth followed by a dry cloth.
- Do not use abrasives or cleaning products which may contain ammonia or solvents.
- Take care when handling or moving the furniture. Careless handling can damage furniture, try to lift rather than drag.