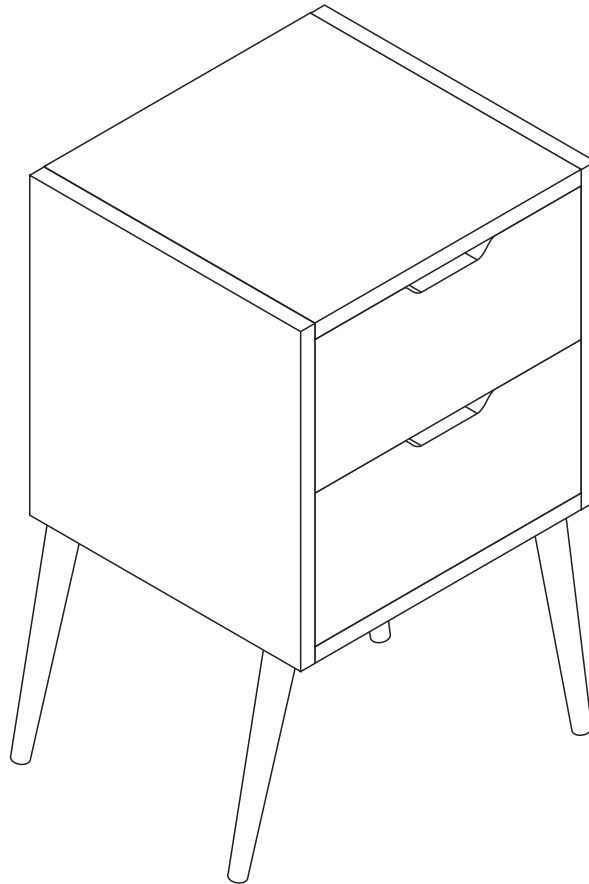


# STOCKHOLM 2 DRAWER NIGHTSTAND ASSEMBLY INSTRUCTIONS

Thank you for purchasing the **STOCKHOLM 2 DRAWER NIGHTSTAND**. Please read the instructions carefully to ensure safe operation of the product.



**Size: W29.5 x D29.5 x H44.5cm**  
**COLOUR: WHITE & OAK**

---

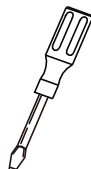
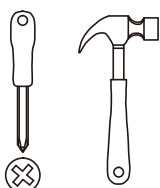
**PLEASE READ** this sheet prior to assembly to familiarise yourself with the various stages of construction.

Carefully open the pack supplied and check the contents against the parts and fittings check list. Do not destroy any of the packaging until you are certain that you have all the necessary parts for the assembly.

**CAUTION:** There are small components used in the construction of this unit. These loose items should be kept away from young children whilst assembling your unit to avoid the danger of choking hazards.

---

## Tools Required



# STOCKHOLM 2 DRAWER NIGHTSTAND ASSEMBLY INSTRUCTIONS

**IMPORTANT - READ CAREFULLY - RETAIN THESE INSTRUCTIONS  
FOR FUTURE REFERENCE.**

## **INFORMATION**

- This product is intended for a maximum load of 10 kg spread evenly through the storage compartments. Do not exceed this weight.
- Due to the size of this product we recommend that it is assembled in the room intended for use.
- When you are ready to start, make sure that you have the right tools, plenty of space and a clean, dry area for assembly.
- Unwrap all packaging materials and place the components on top of the carton box or on a clean floor to prevent it from scratching.
- Check the pack and make sure you have all the parts listed.
- Ensure that this product is fully assembled as illustrated before use.
- Check all screws or bolts are tightened and inspect regularly.
- This product should only be used on firm, level ground.
- Tools are not included.
- This product is designed for children in the age range of 5-11 years.

## **WARNINGS**

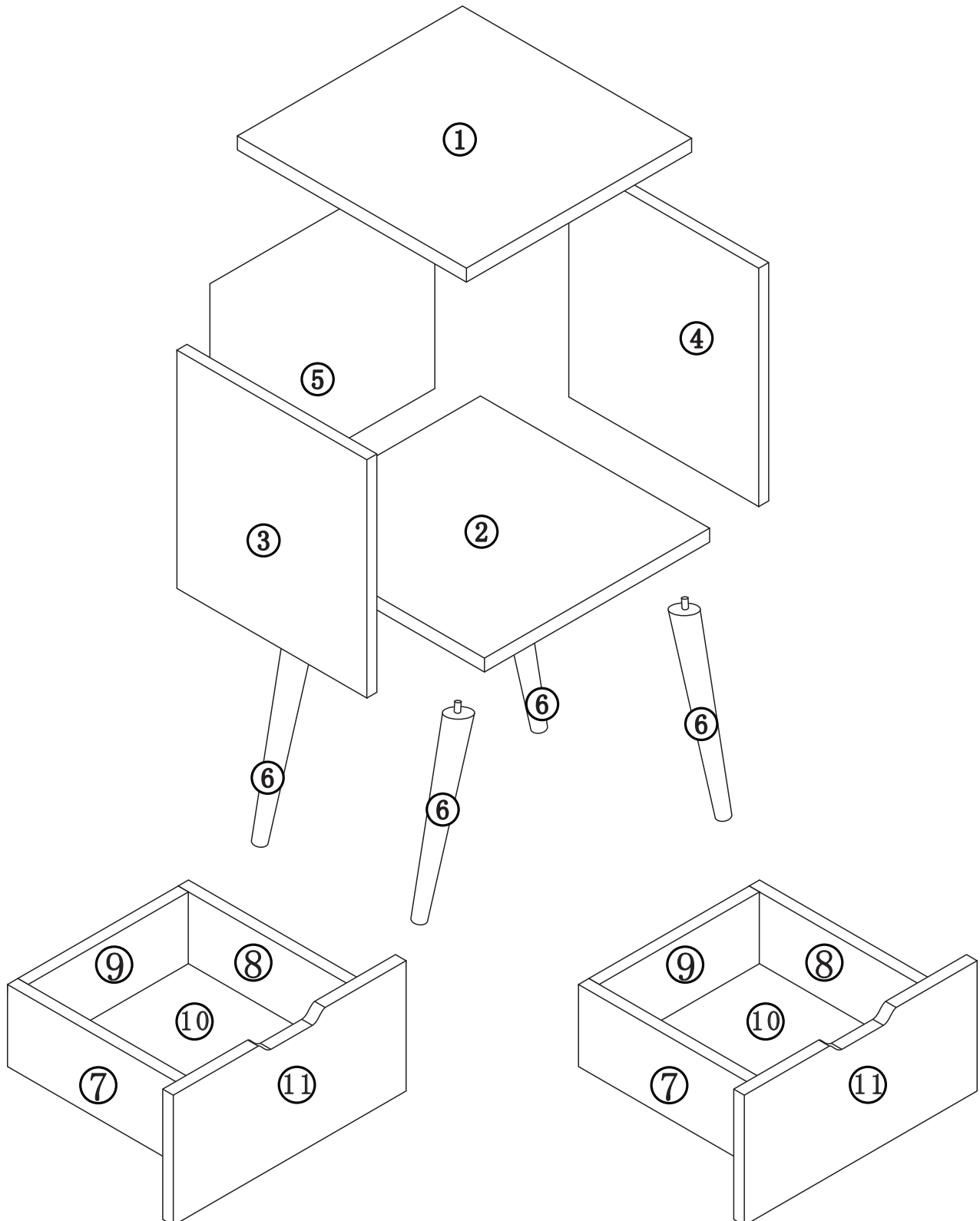
- DO make sure the legs remain in contact with the ground.
- DO keep small parts out of reach of children.
- DO NOT use power tools to construct this product.
- DO NOT tighten screws until fully assembled.
- DO NOT over tighten screws or bolts.
- DO NOT use this product if parts are missing, damaged or worn.
- DO NOT sit or stand on the product.
- Assembly to be carried out by a competent adult only.
- During assembly children should be kept away from the product due to possible risk of injury.
- DO NOT use this item if any components are missing or damaged.

## **CARE INFORMATION**

- Never use scourers, abrasives or chemical cleaners.
- To clean wipe with a sponge and warm soapy water. Do not use solvent based cleaners or detergents as they can bleach or damage the product

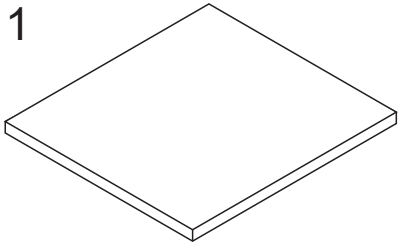
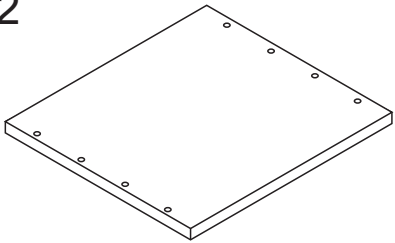
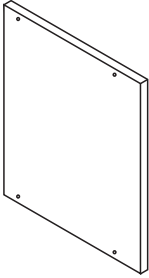
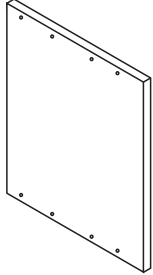
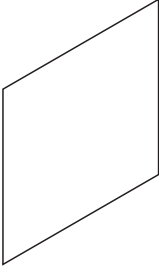
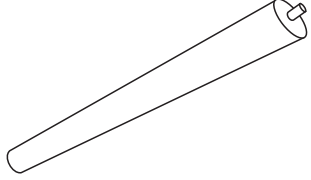
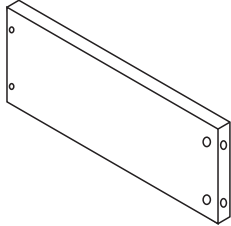
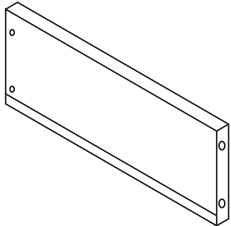
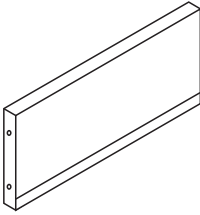
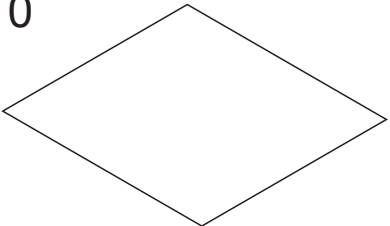
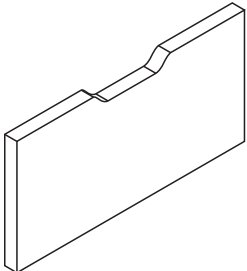
# STOCKHOLM 2 DRAWER NIGHTSTAND ASSEMBLY INSTRUCTIONS

Please check the pack contents before assembling this product. If any components are missing, please contact your retailer. The fittings pack contains small items that should be kept away from small children.



# STOCKHOLM 2 DRAWER NIGHTSTAND ASSEMBLY INSTRUCTIONS

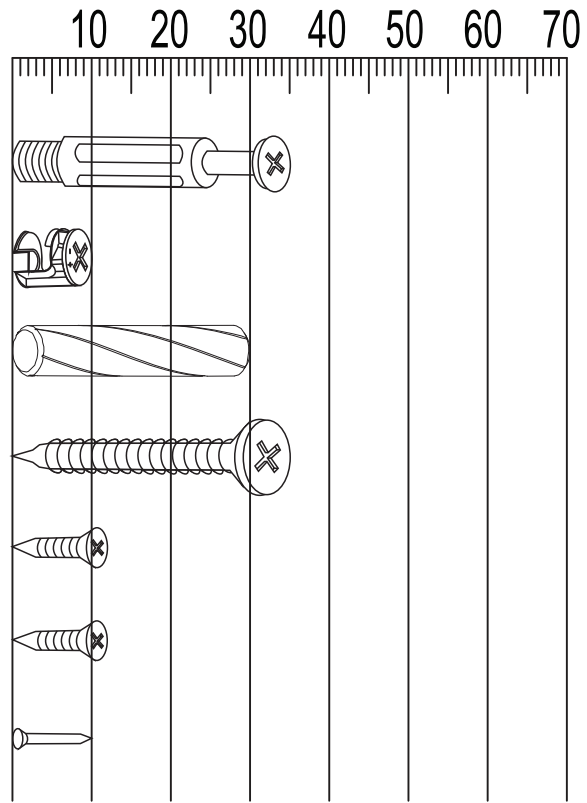
## PARTS

<p>1</p> 	<p>2</p> 	<p>3</p> 
<p>DESCRIPTION:TOP PANEL QTY:1 PC DIMENSIONS:295X271X12MM</p>	<p>DESCRIPTION:BOTTOM PANEL QTY:1 PC DIMENSIONS:295X271X12MM</p>	<p>DESCRIPTION:LEFT SIDE PANEL QTY:1 PC DIMENSIONS:295X271X12MM</p>
<p>4</p> 	<p>5</p> 	<p>6</p> 
<p>DESCRIPTION:RIGHT SIDE PANEL QTY:1 PC DIMENSIONS:295X264X12MM</p>	<p>DESCRIPTION:BACK PANEL QTY:1 PC DIMENSIONS:285X258X3MM</p>	<p>DESCRIPTION:WOODEN LEG QTY:4 PCS DIMENSIONS:175X35MM</p>
<p>7</p> 	<p>8</p> 	<p>9</p> 
<p>DESCRIPTION:DRAWER LEFT SIDE PANEL QTY:2 PCS DIMENSIONS:238X90X12MM</p>	<p>DESCRIPTION:DRAWER RIGHT SIDE PANEL QTY:2 PCS DIMENSIONS:238X90X12MM</p>	<p>DESCRIPTION:DRAWER BACK PANEL QTY:2 PCS DIMENSIONS:222X90X12MM</p>
<p>10</p> 	<p>11</p> 	
<p>DESCRIPTION:DRAWER BOTTOM PANEL QTY:2 PCS DIMENSIONS:231X236X3MM</p>	<p>DESCRIPTION:DRAWER FRONT PANEL QTY:2 PCS DIMENSIONS:267X120X12MM</p>	

# STOCKHOLM 2 DRAWER NIGHTSTAND ASSEMBLY INSTRUCTIONS

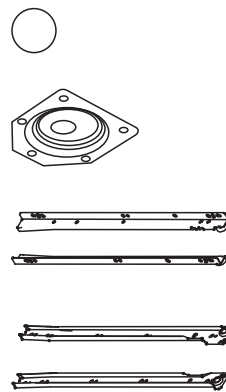
## FIXINGS (TO SCALE)

Ref	Dimensions	Qty
A	CAM BOLT (6x35mm)	8
B	CAM LOCK (15x10mm)	8
C	DOWEL (6X30MM)	8
D	SCREWS (4x35mm)	16
E	SCREWS (4x12mm)	20
F	SCREWS (3.5x12mm)	16
G	NAIL (1.5x10mm)	12



## NOT TO SCALE

H	STICKERS	8
I	LEG BRACKETS	4
J	DRAWER BASE RUNNERS	2
K	CABINET RUNNER	2

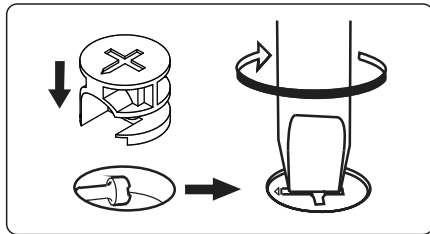


**CAUTION: There are many small components used in the construction of this product. Please keep these components away from young children whilst assembling this product.**

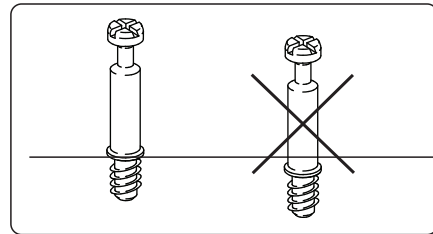
If you keep the fittings in a bowl during assembly you will be less likely to lose them!

# STOCKHOLM 2 DRAWER NIGHTSTAND ASSEMBLY INSTRUCTIONS

## General Hints and Tips

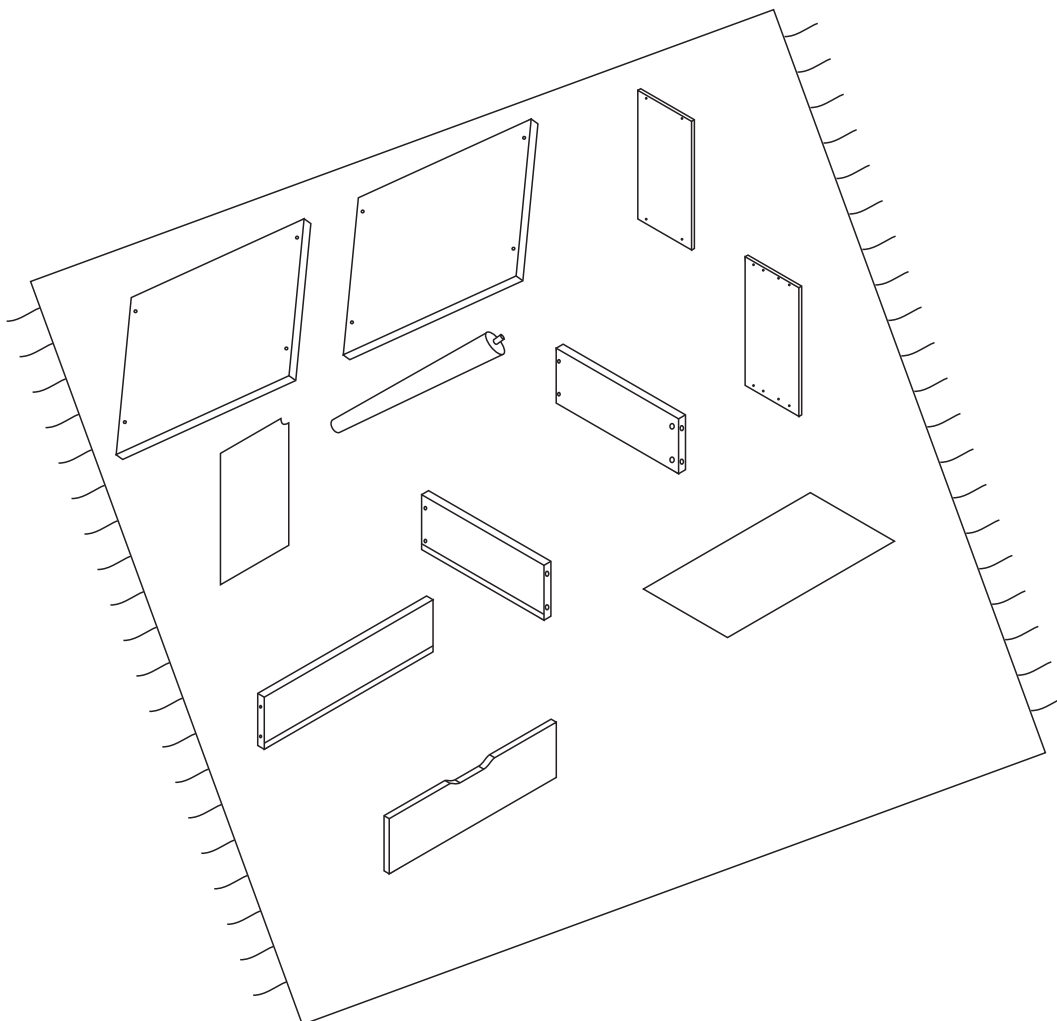


## Don't screw too deep



## Layout Parts on Soft Surface

Layout all part on a soft surface i.e. Rug, carpet or packaging carton

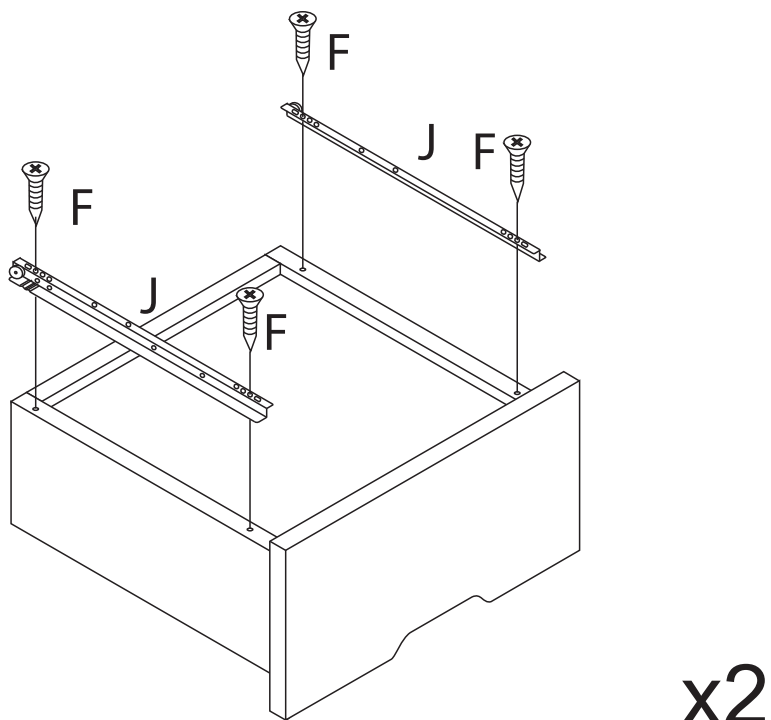


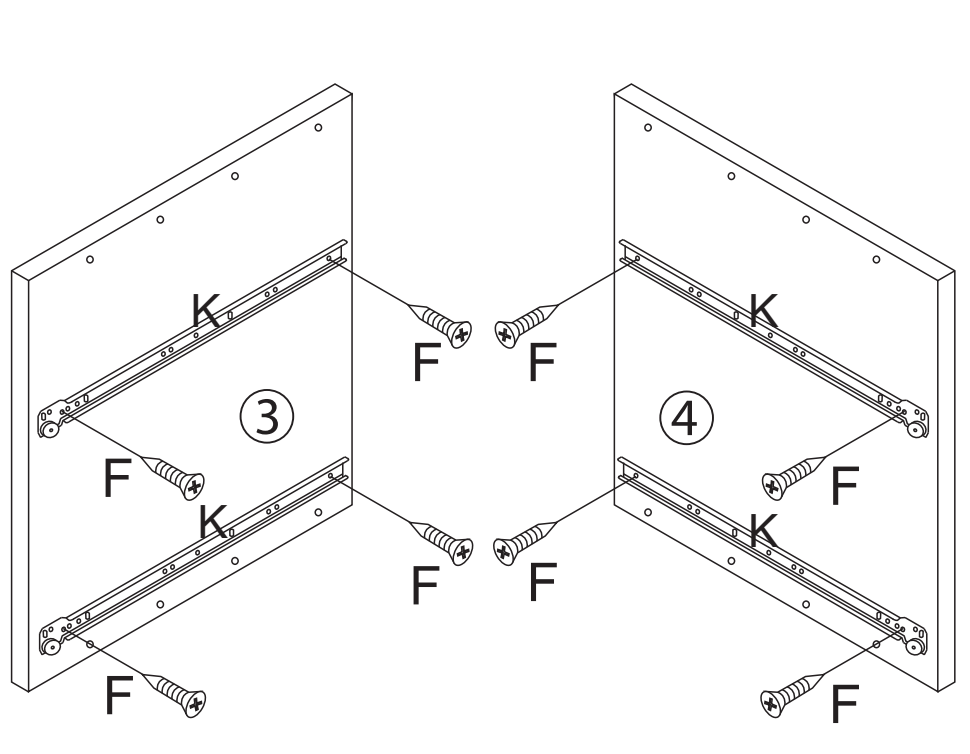
# STOCKHOLM 2 DRAWER NIGHTSTAND ASSEMBLY INSTRUCTIONS

STEP 1	PARTS REQUIRED
	<p>7: DRAWER LEFT SIDE PANEL x 2              8: DRAWER RIGHT SIDE PANEL x 2              9: DRAWER BACK PANEL x 2              10: DRAWER BOTTOM BOTTOM PANEL x 2</p> <p>D: SCREWS x 8</p>

STEP 2	PARTS REQUIRED
	<p>7: DRAWER LEFT SIDE PANEL x 2              8: DRAWER RIGHT SIDE PANEL x 2              11: DRAWER FRONT BOTTOM PANEL x 2</p> <p>A: CAM BOLT x 8              B: CAM LOCK x 8</p>

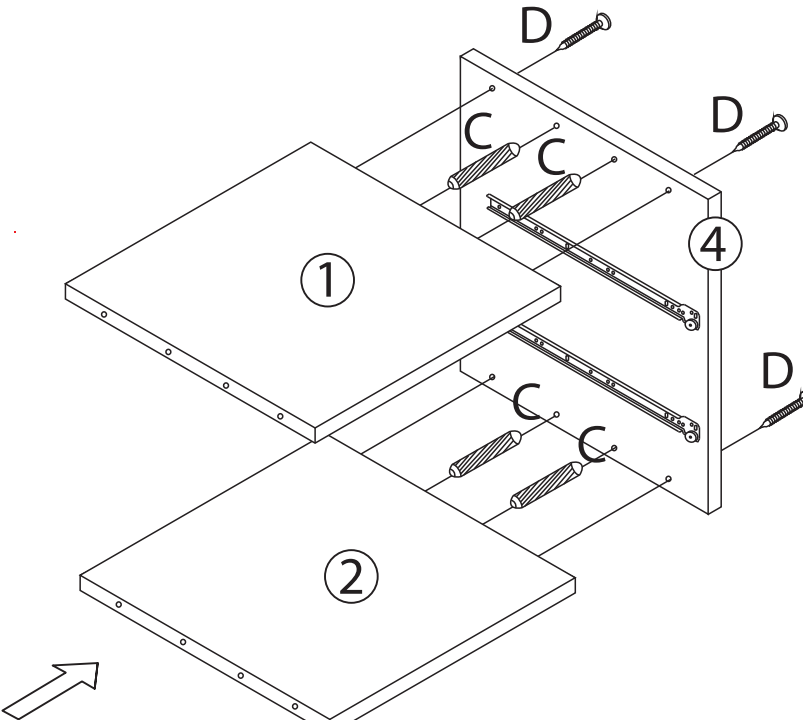
# STOCKHOLM 2 DRAWER NIGHTSTAND ASSEMBLY INSTRUCTIONS

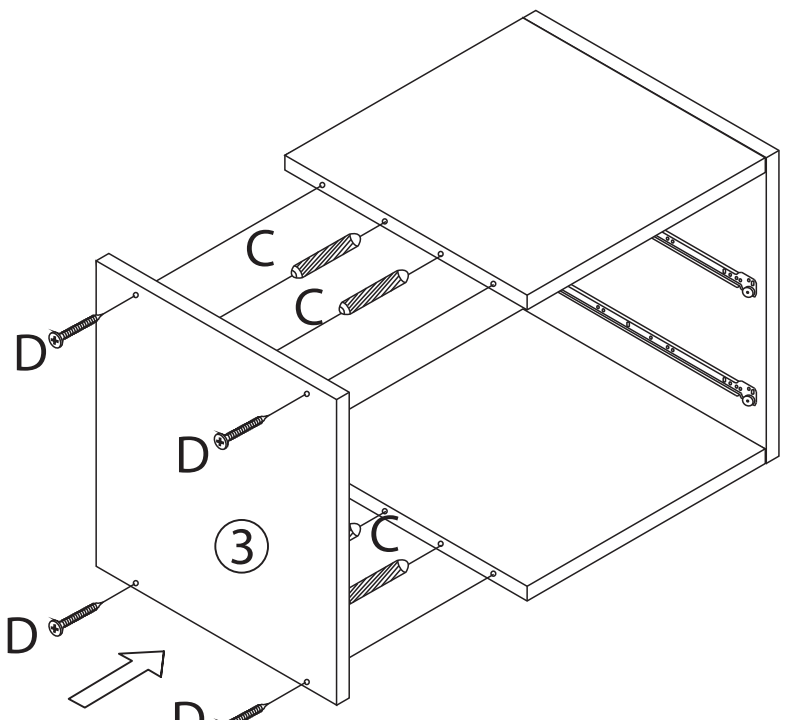
STEP 3	PARTS REQUIRED
 <p style="text-align: right; font-size: 2em; font-weight: bold;">x2</p>	<p>F: SCREWS x 8 J: DRAWER BASE RUNNERS x 2</p>

STEP 4	PARTS REQUIRED
	<p>3: LEFT SIDE PANEL x 1 4: RIGHT SIDE PANEL x 1</p> <p>F: SCREWS x 16 K: CABINET RUNNER x 4</p>

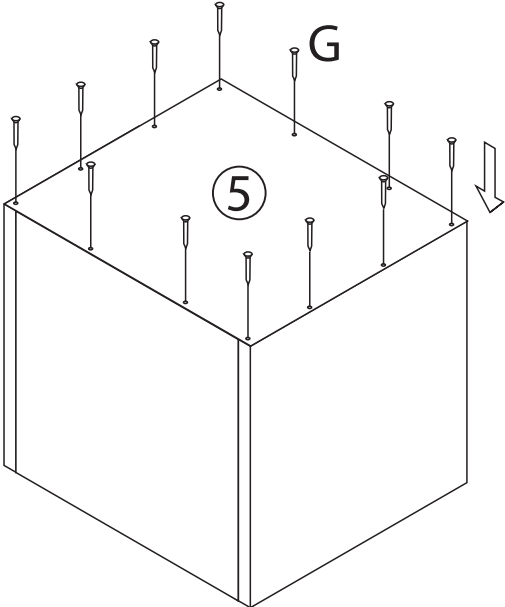


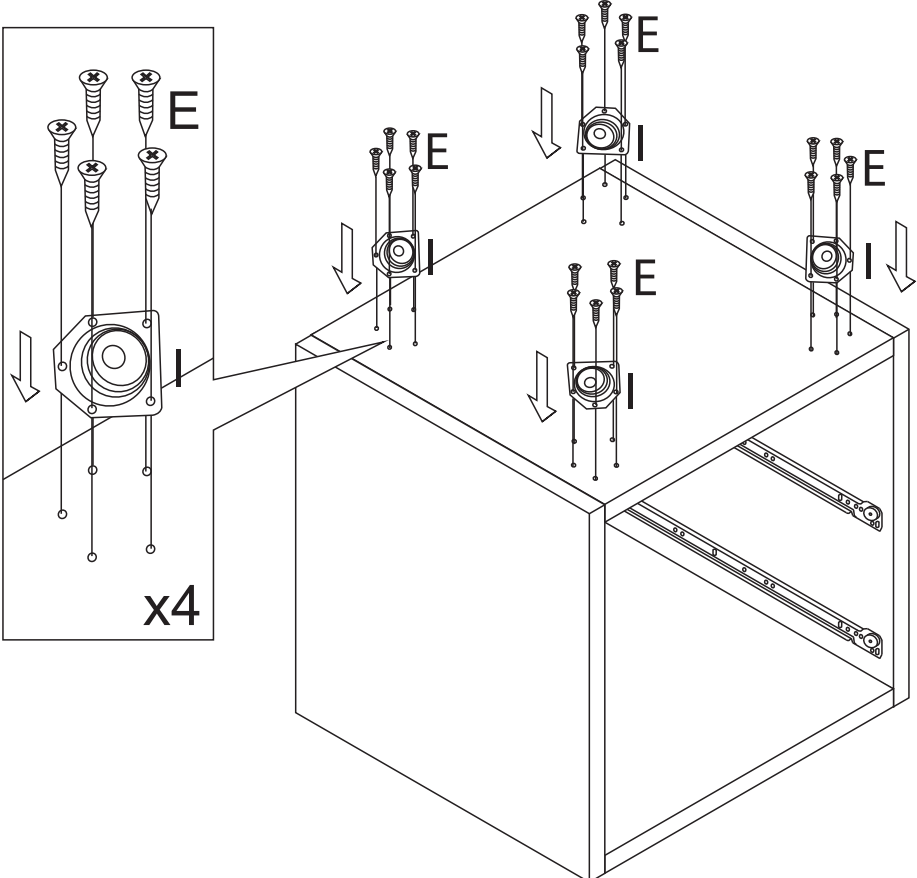
# STOCKHOLM 2 DRAWER NIGHTSTAND ASSEMBLY INSTRUCTIONS

STEP 5	PARTS REQUIRED
	<p>1: TOP PANEL x 1 2: BOTTOM PANEL x 1 4: RIGHT SIDE PANEL x1</p> <p>C: DOWEL x 4 D: SCREWS x 4</p>

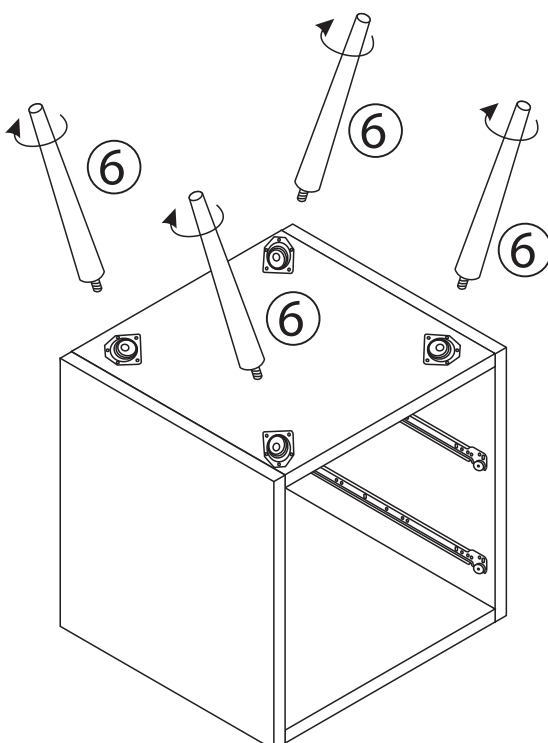
STEP 6	PARTS REQUIRED
	<p>3: LEFT SIDE PANEL x1</p> <p>C: DOWEL x 4 D: SCREWS x 4</p>

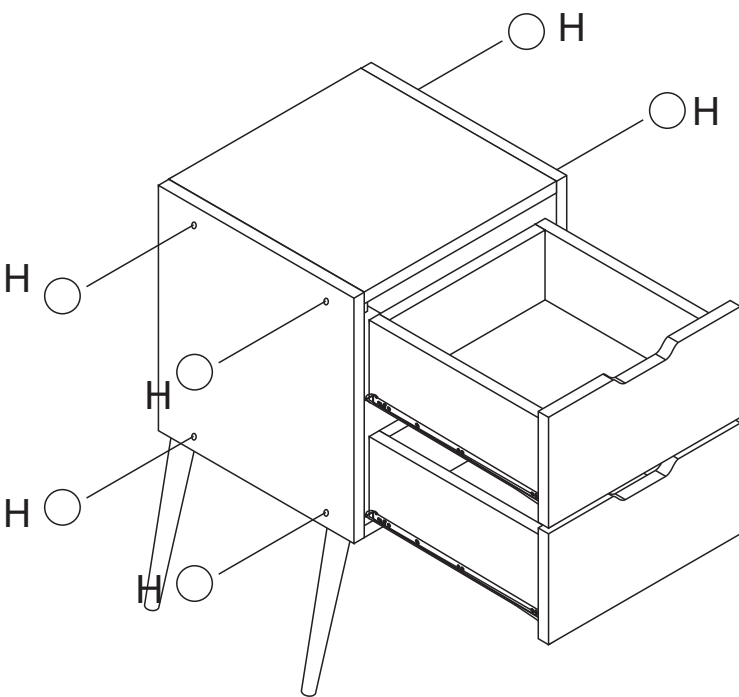
# STOCKHOLM 2 DRAWER NIGHTSTAND ASSEMBLY INSTRUCTIONS

STEP 7	PARTS REQUIRED
	<p>5: BACK PANEL x1</p> <p>G: NAIL x 12</p>

STEP 8	PARTS REQUIRED
	<p>E: SCREWS x 20</p> <p>I: LEG BRACKETS x 4</p>

# STOCKHOLM 2 DRAWER NIGHTSTAND ASSEMBLY INSTRUCTIONS

STEP 9	PARTS REQUIRED
	6: WOODEN LEG x 4

STEP 10	PARTS REQUIRED
	H: STICKERS x 8

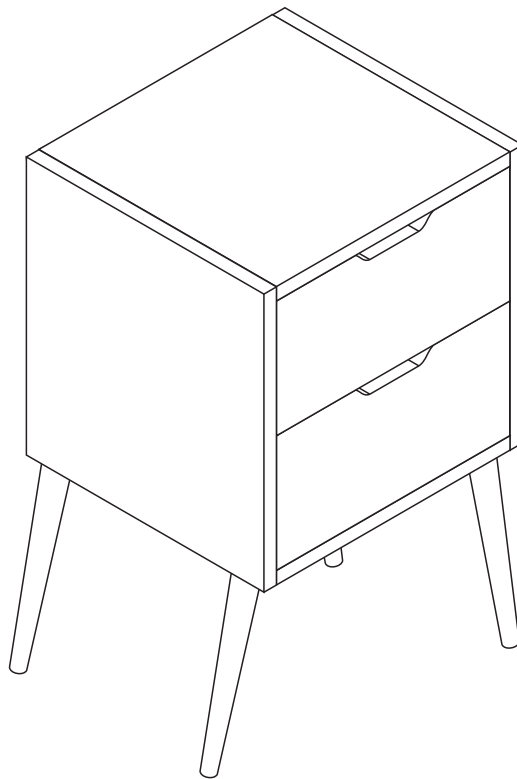
# STOCKHOLM 2 DRAWER NIGHTSTAND ASSEMBLY INSTRUCTIONS

## Complete Assembly

Your **STOCKHOLM 2 DRAWER NIGHTSTAND** is now completely assembled.

Periodically check to ensure that the components are in their proper position, free from damage.

Also, make sure the connectors are tight and secure.



**Retain these instructions for future reference.**

