



# Birlea

Suppliers of inspiration

Vendor: S000369



## ASSEMBLY INSTRUCTIONS CONRAD 1 DRAWER BEDSIDE SILVER OAK

**IMPORTANT: READ THESE INSTRUCTIONS CAREFULLY BEFORE ASSEMBLING OR USING YOUR CONRAD 1 DRAWER BEDSIDE SILVER OAK.**

PLEASE KEEP THESE INSTRUCTIONS FOR FUTURE REFERENCE.

### HEALTH & SAFETY:

DO NOT use this Bedside if any parts are missing , damaged or worn.

DO NOT use this Bedside unless all fixings are secured.

Always use on a level, even surface.

**WARNING:** If this item is placed on a non-carpeted floor you must place some protection under all legs to stop the bedside from moving. If this is not adhered to there is no guarantee if the bedside collapses.

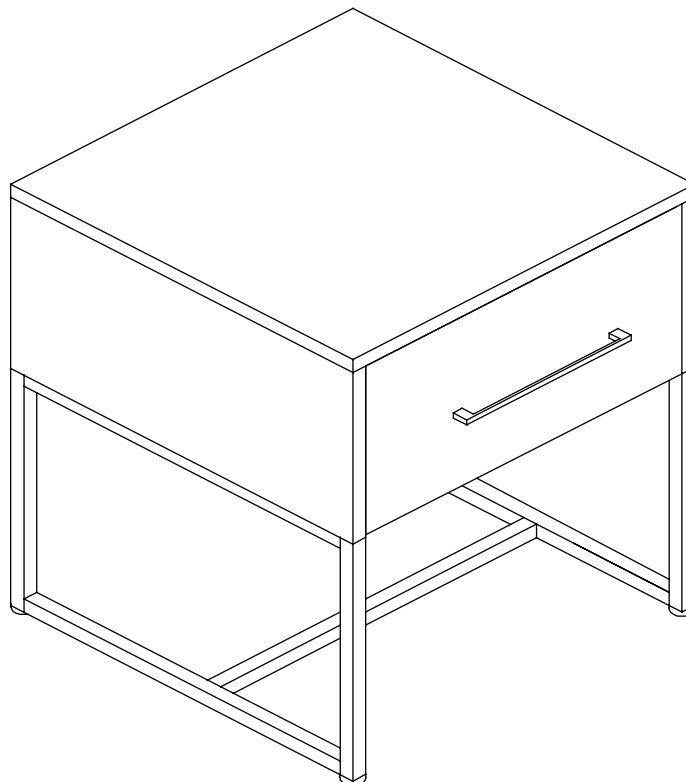
### CARE & MAINTENANCE:

Periodically check all screws & fixings to ensure they are secure.

DO NOT push the bedside as this will damage the legs.

Always lift the bedside with two people to reposition.

Keep any sharp objects away from the bedside.



[www.birlea.com](http://www.birlea.com)

Hardware



12 x A  
Cam Lock



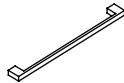
12 x B  
Quickfit Screw



5 x C  
Screw  
**4x30mm**



4 x D  
Wedge



1 x E  
Handle



2 x F  
Bolt  
**6x30mm**



12 x G  
Screw  
**3x12mm**



1 x H  
Inner Drawer  
Runners



8 x I  
Wooden  
Dowel



4 x J  
Screw  
**4x40mm**



4 x K  
Screw  
**3x14mm**



6 x L  
Bolt  
**6x35mm**



1 x M  
Inner Drawer  
Runners



1 x N  
Outer Drawer  
Runners



1 x O  
Outer Drawer  
Runners



1 x P  
Wall Plug

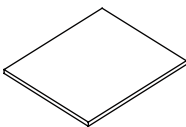


1 x Q  
Bracket

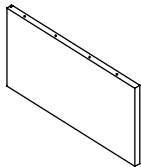


1 x R  
Screw  
**4x12mm**

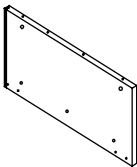
Parts



1 - 1pc



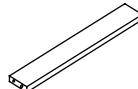
2 - 1pc



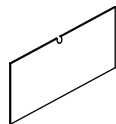
3 - 1pc



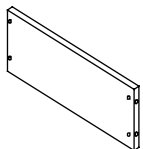
4 - 1pc



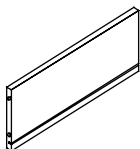
5 - 1pc



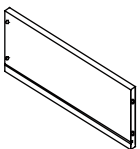
6 - 1pc



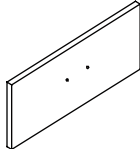
7 - 1pc



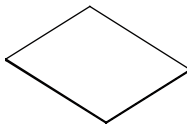
8 - 1pc



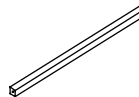
9 - 1pc



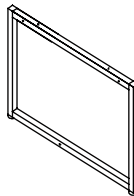
10 - 1pc



11 - 1pc



12 - 3pcs

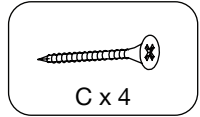
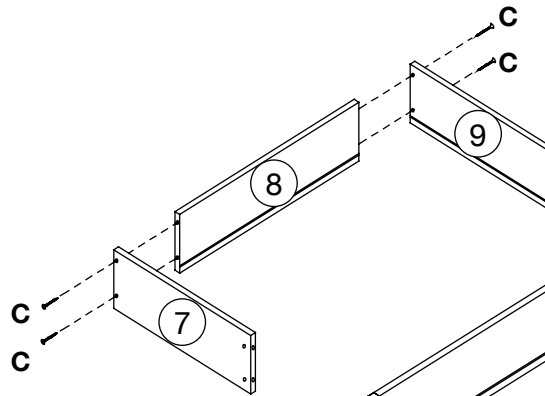


13 - 2pcs

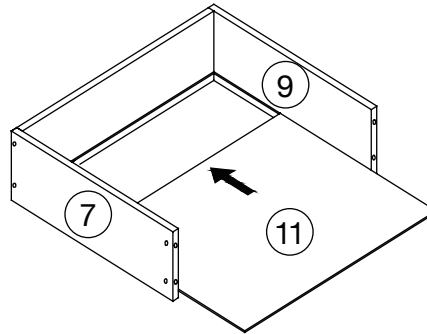
## Step 1

### DRAWERS

Fix panels **7**, **8** and **9** together using screws **C**.



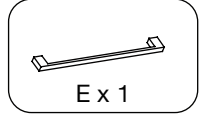
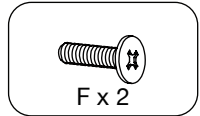
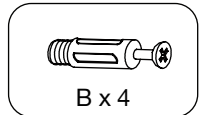
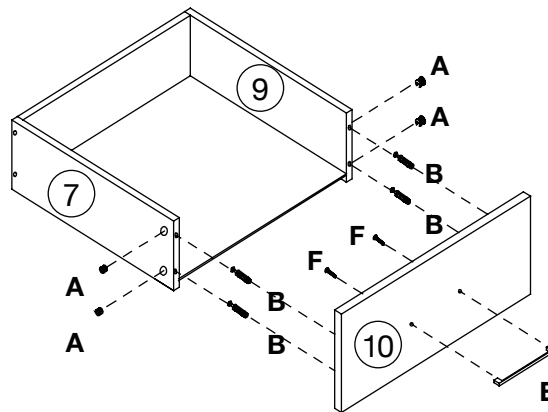
Fit base panel **11** into grooves between panels **7** and **9**.



Fit quickfit screws **B** to front panel **10**.

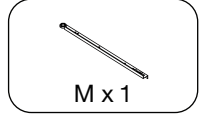
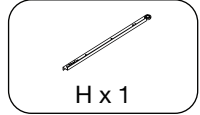
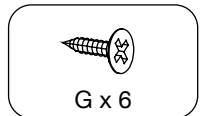
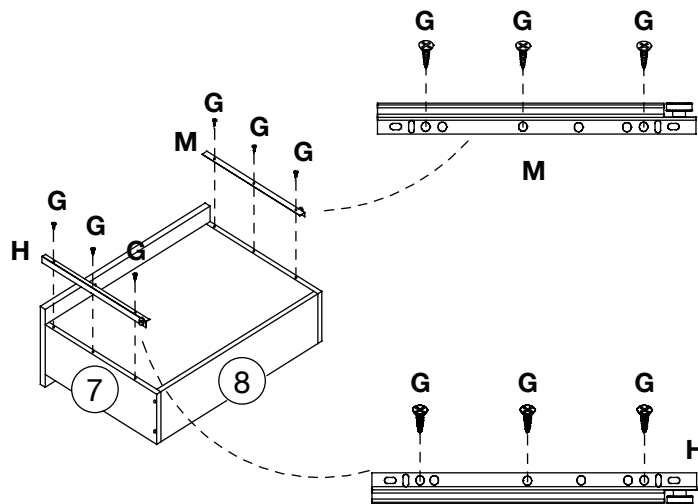
Insert cam locks **A** to panels **7** and **9**.

Fit panel **10** to front of drawer and turn cam locks clockwise to tighten.



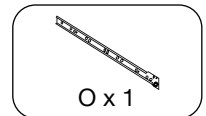
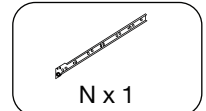
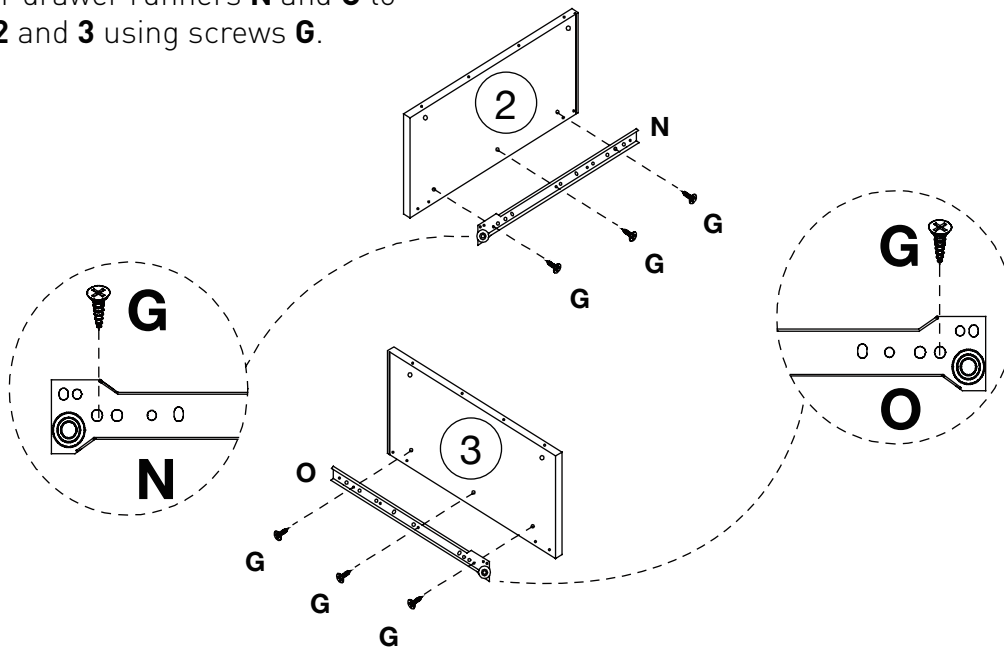
Fix handle **E** to front of drawer using bolts **F**.

Turn drawer over and fix inner drawer runners **H** and **M** to underside of drawer using screws **G**.



## Step 2

Fix outer drawer runners **N** and **O** to panels **2** and **3** using screws **G**.

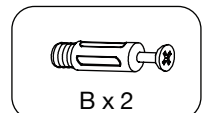
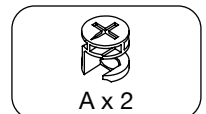
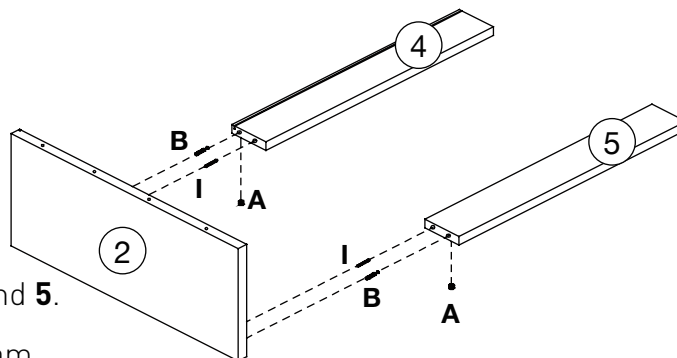


## Step 3

Insert quickfit screws **B** and wooden dowels **I** to panel **2**.

Insert cam locks to panels **4** and **5**.

Fit panels together and turn cam locks clockwise to tighten.

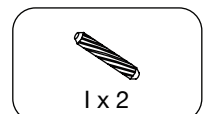
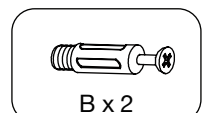
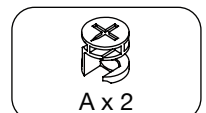
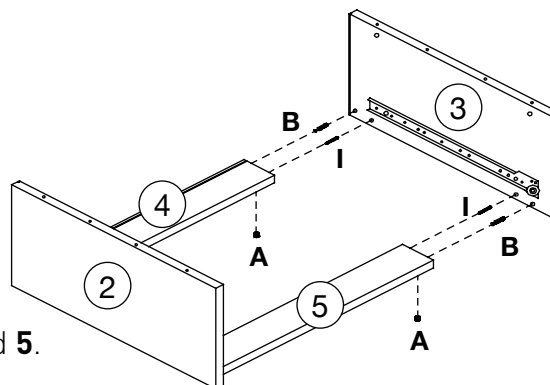


## Step 4

Insert quickfit screws **B** and wooden dowels **I** to panel **3**.

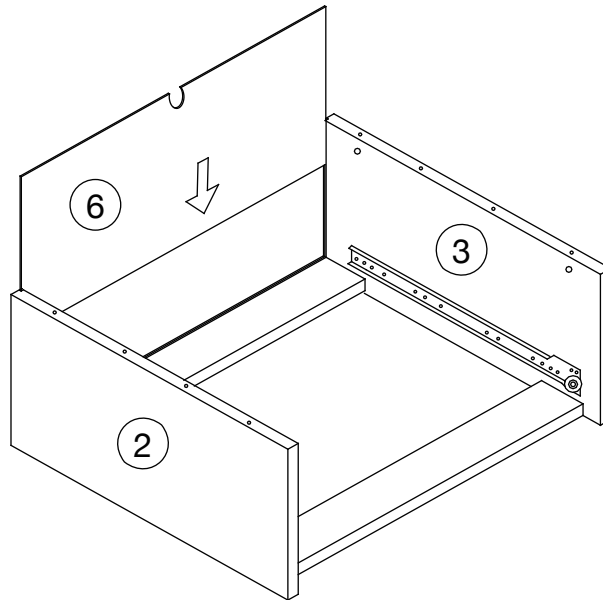
Insert cam locks to panels **4** and **5**.

Fit panels together and turn cam locks clockwise to tighten.



## Step 5

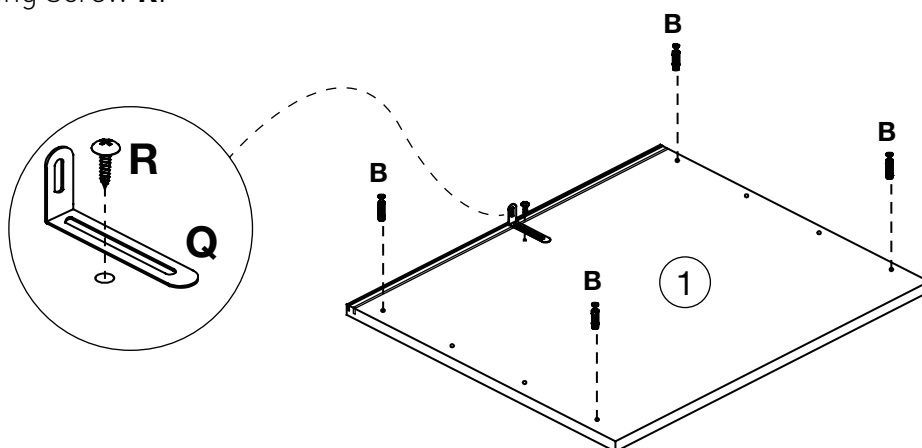
Slide back panel **6** into slots in between panels **2** and **3**.



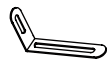
## Step 6

Fit quickfit screws **B** to panel **1**.

Fix bracket **Q** to underside of panel **1** using screw **R**.



B x 4



Q x 1

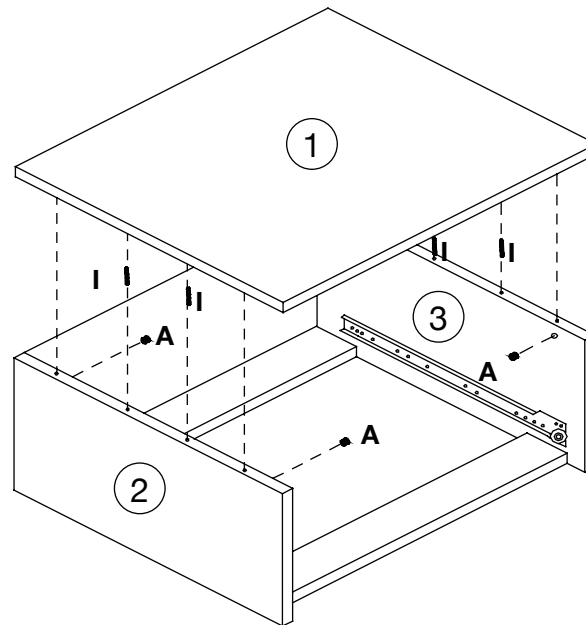


R x 1

## Step 7

Insert wooden dowels **I** panels **2** and **3**.

Insert cam locks **A** to panels **2** and **3**.

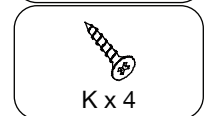
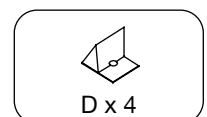
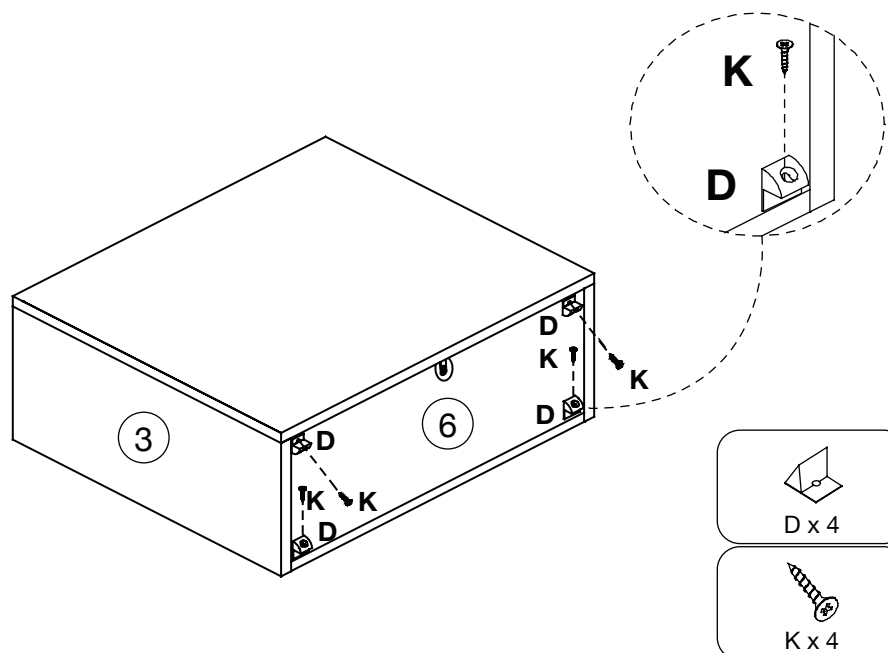


Lower panel **1** into place and turn cam locks to tighten.

## Step 8

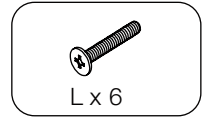
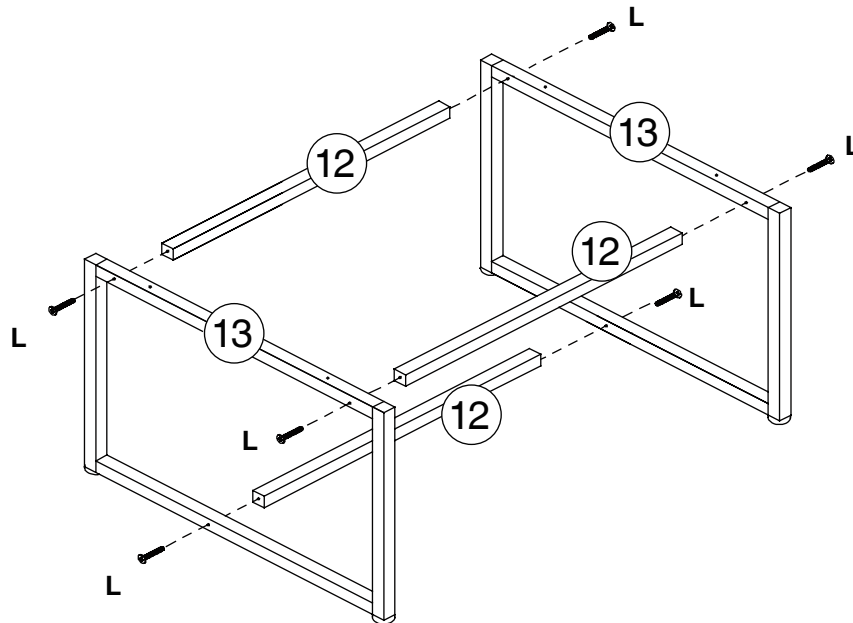
Fit wedges **D** to back of unit to secure back panels.

Secure with screws **K**.



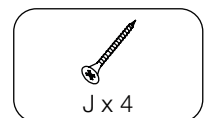
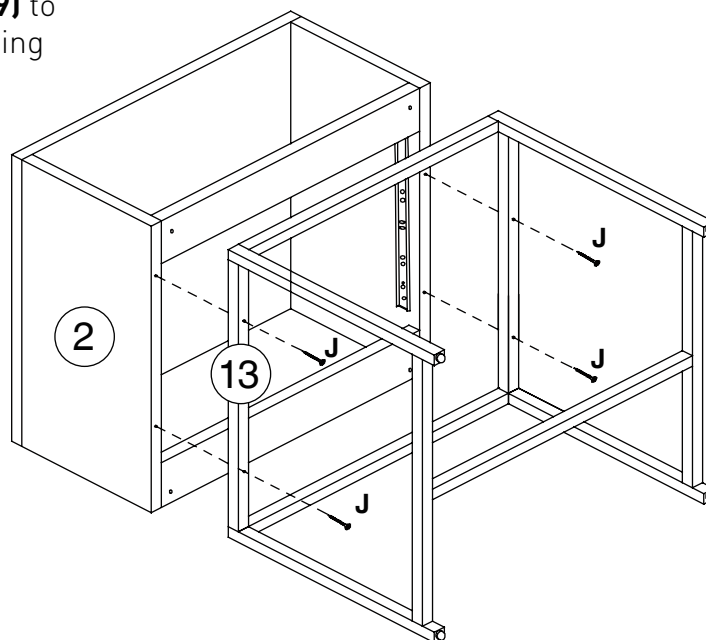
### Step 9

Fix parts **12** and **13** together using bolts **L**, as shown.



### Step 10

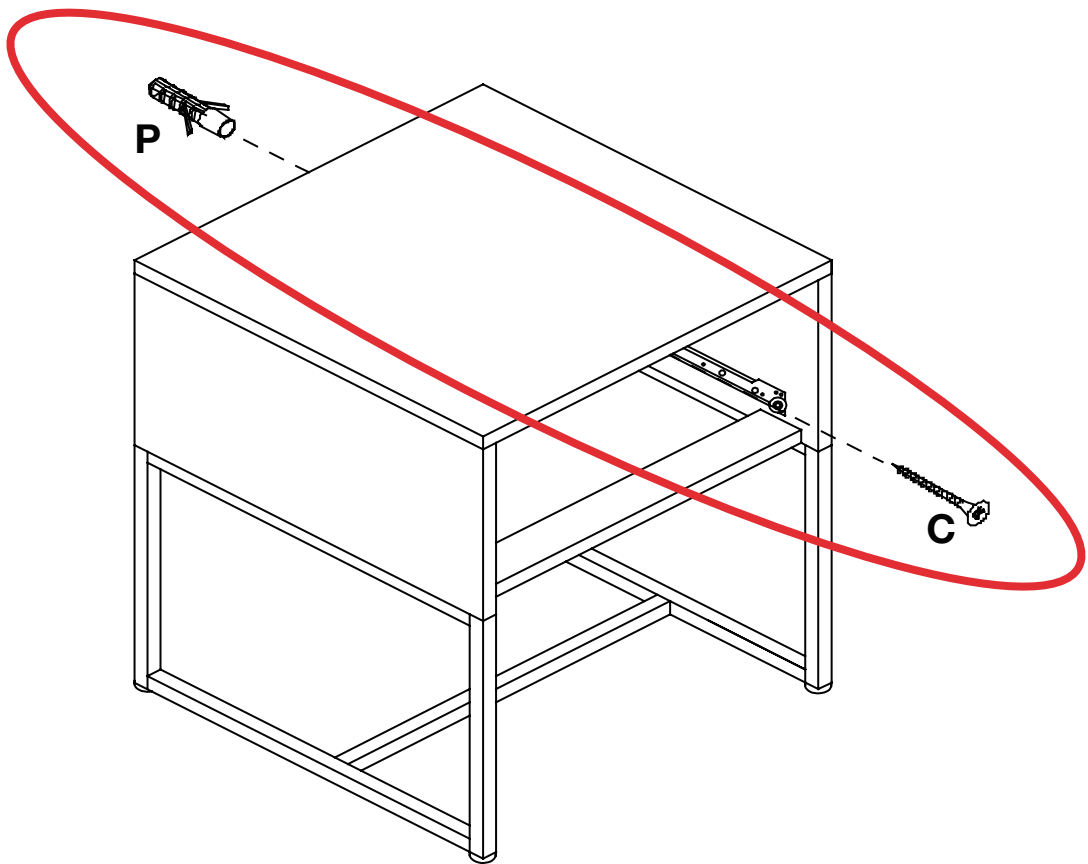
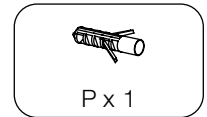
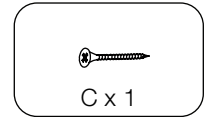
Fix joined leg parts (**Step 9**) to base of assembled unit using screws **J**, as shown.



## Step 11

For extra stability, it is recommended that you fix your bedside table to the wall using the additional hardware C and P, as shown. Screw C is fixed from inside the unit, through the bracket and into the wall plug P.

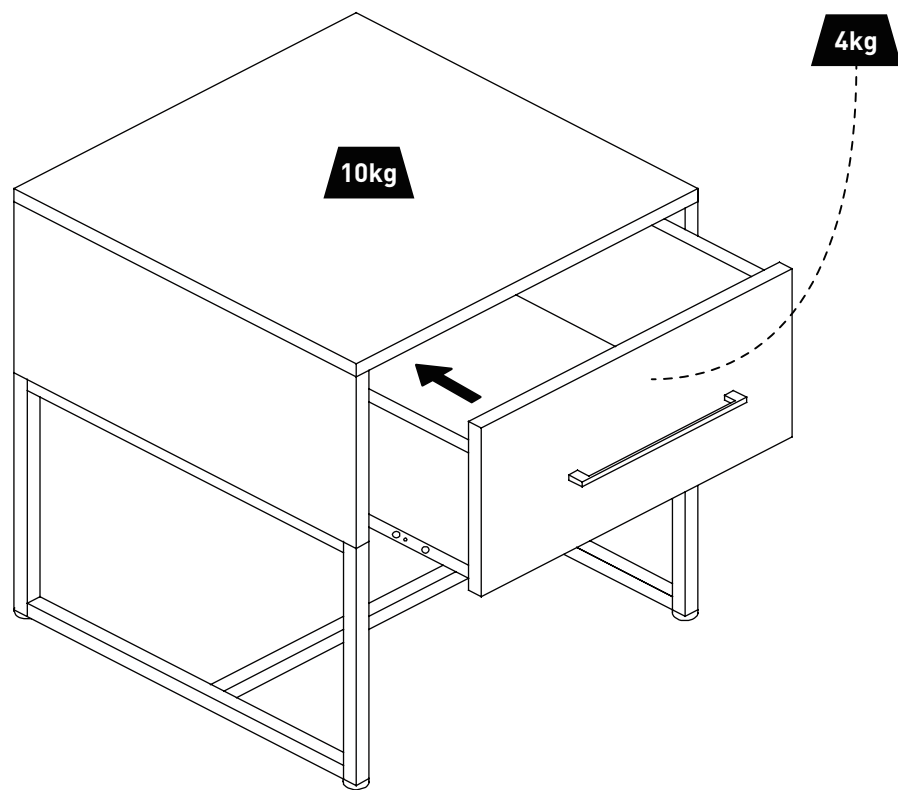
Should you choose not to affix the product to the wall, serious injury may be caused if the product tips over.





## Step 12

Once the unit is in its final location fit the drawer onto runners in unit as shown.



### Additional Information:

- For complete product information, images and dimension diagrams please visit the website [www.birlea.com](http://www.birlea.com)
- If you have any issues with your item please contact the retailer directly you purchased it from who will be able to resolve any issues with Birlea.
- Why don't you send us photos of your assembled furniture to [info@birlea.com](mailto:info@birlea.com) to be shared in our #birleahome feature on Instagram.