



Birlea

Suppliers of inspiration

Vendor: S000053



ASSEMBLY INSTRUCTIONS

ATLAS 4'6 BED

IMPORTANT: READ THESE INSTRUCTIONS CAREFULLY BEFORE ASSEMBLING OR USING YOUR ATLAS 4'6 BED FRAME.

PLEASE KEEP THESE INSTRUCTIONS FOR FUTURE REFERENCE.

HEALTH & SAFETY:

DO NOT jump on this bed frame.

DO NOT use this bed frame if any parts are missing, damaged or worn.

DO NOT use this bed frame unless all fixings are secured.

Please keep small parts out of reach of children.

Always use on a level, even surface.

WARNING: If this bed is placed on a non-carpeted floor you must place some protection under all legs to stop the bed frame from moving. If this is not adhered to there is no guarantee if the bed frame collapses.

CARE & MAINTENANCE:

Assemble in the room of use.

Periodically check all screws & fixings to ensure they are secure.

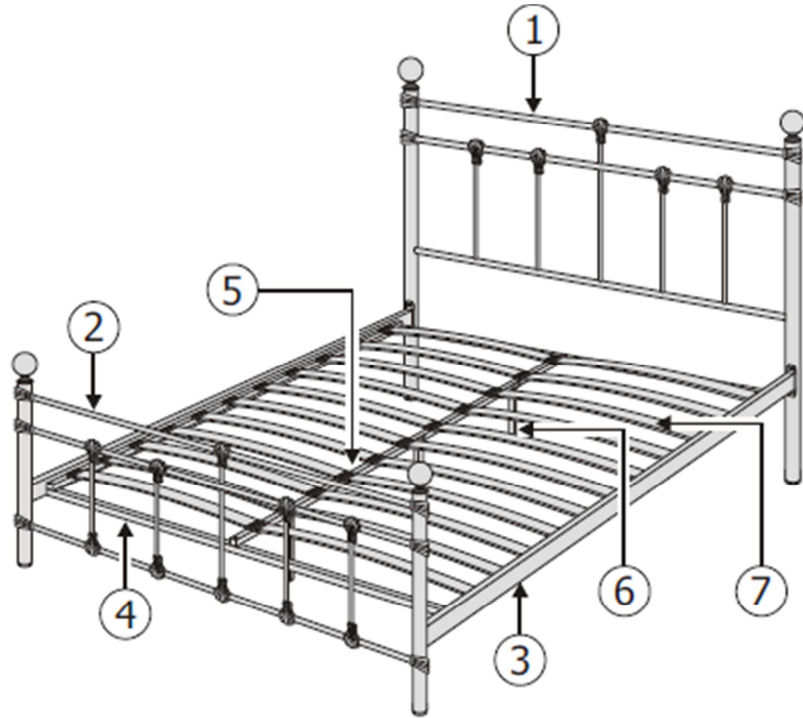
DO NOT push the bed frame as this will damage the legs.

Always lift the bed with two people to reposition.

Keep any sharp objects away from the frame.

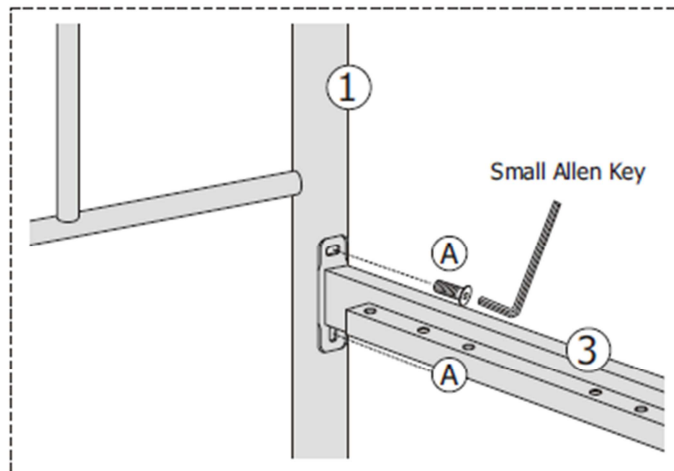


www.birlea.com



Parts List				Hardware List (found in box 1)		
Part	Description	Box	Qty	Part	Description	Qty
1	Headend	1	1	A	M6 x 16mm JCBC Screw 	8
2	Footend	1	1	B	M6 x 50mm JCBC Screw 	4
3	Side Support	2	2	C	M6 Nut 	10
4	Side Frame	2	2	D	M6 x 35mm JCBC Screw 	6
5	Mid Support	2	1	E	Double Slat Cap 	11
6	Base Leg	1	3	F	Single Slat Cap 	22
7	Slat	3	22	G	Finial 	4
** M4 Allen Key & M5 Allen Key provided				H	M8 x 50mm JCBC Screw 	2
				I	M8 Nut 	2

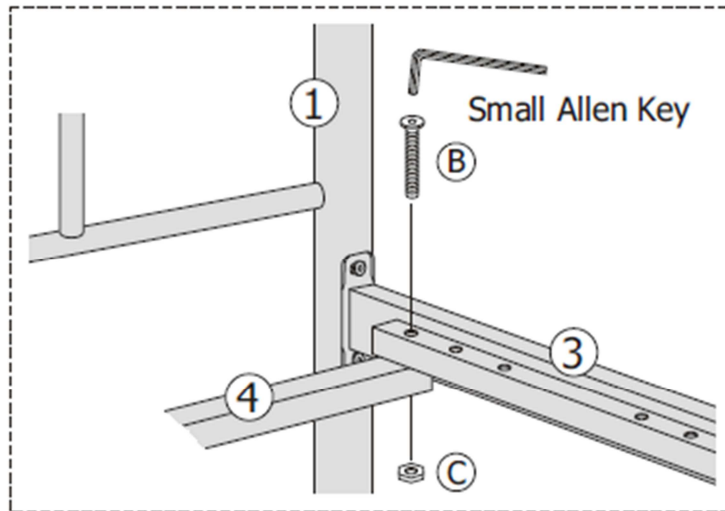
Step 1: Fix the side support (3) to the headend (1) and footend (2) with hardware part A. DO NOT use any power tools as this may damage the frame and will invalidate any claim.



IMPORTANT: Do not tightly secure the screws before completing Step 2.

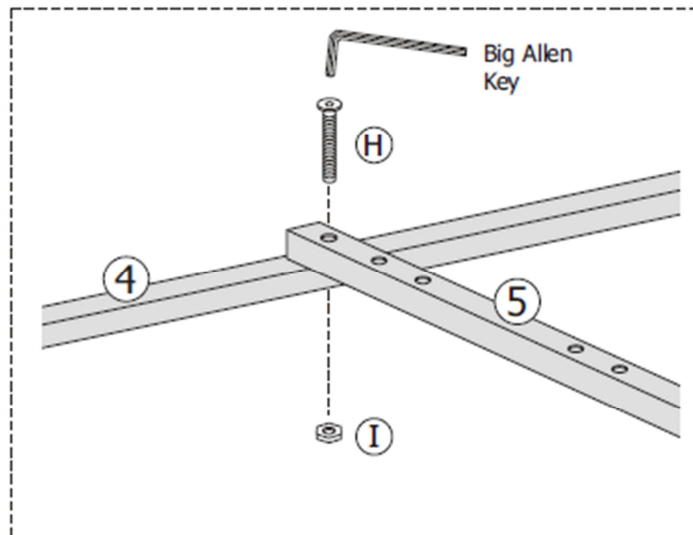
Step 2: Place the side frames (4) at the bottom of the side supports (3) and secure with hardware parts B and C.

DO NOT use any power tools as this may damage the frame and will invalidate any claim.



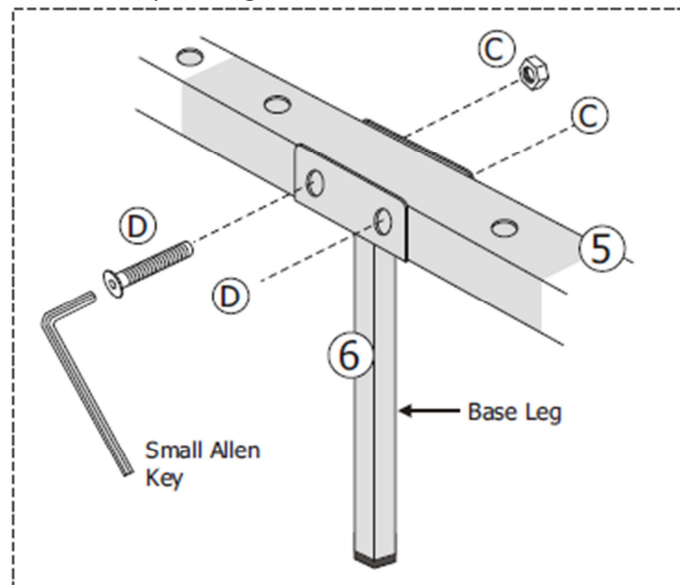
Step 3: Place the mid support (5) on top of both side frames (4) and secure using hardware parts H and I.

DO NOT use any power tools as this may damage the frame and will invalidate any claim.

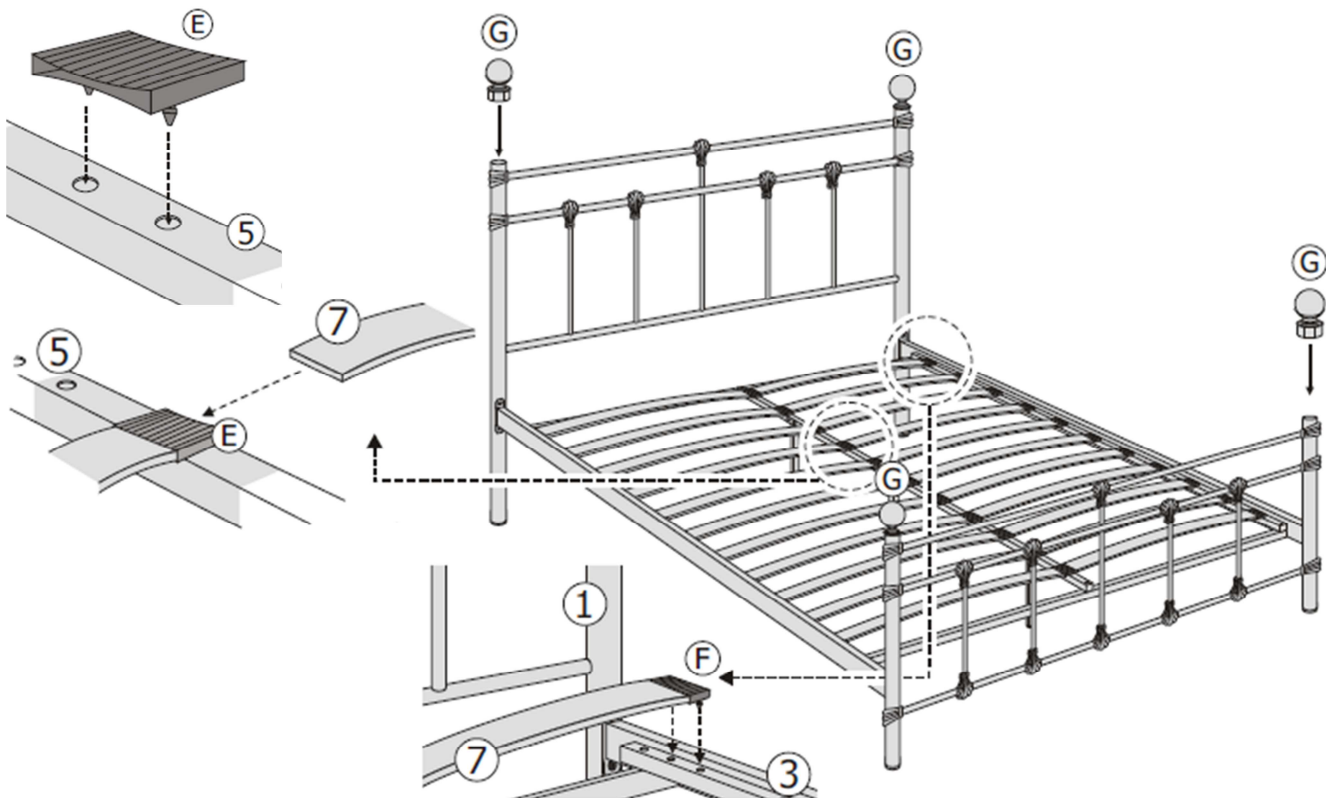


Step 4: Attach the base legs (6) to the mid support (5) using hardware parts C and D.

DO NOT use any power tools as this may damage the frame and will invalidate any claim.



Step 5: Place the double slat caps into position on the mid support (5) then place the single slat caps onto each slat (7). Firmly press into the side supports (3) then insert hardware part G to the headend (1) and footend (2).



Additional Information:

- For complete product information, images and dimension diagrams please visit the website www.birlea.com
- If you have any issues with your item please contact the retailer directly you purchased it from who will be able to resolve any issues with Birlea.
- Why don't you send us photos of your assembled furniture to info@birlea.com to be shared in our #birleahome feature on Instagram.



Birlea

Suppliers of inspiration