

## SALISBURY LOW FOOT END BED ALL SIZES



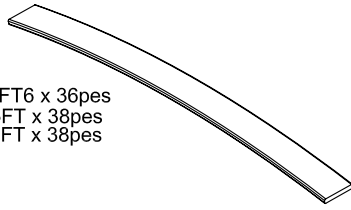
### ASSEMBLY INSTRUCTIONS



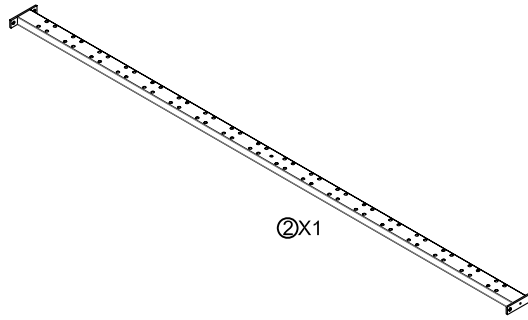
- o Wipe clean using a soft damp cloth followed by a dry cloth.
- o Do not use abrasives or cleaning products which may contain ammonia or solvents.
- o Take care when handling or moving the furniture. Careless handling can damage wooden furniture, try to lift rather than drag.

**PARTS LIST**












① 4FT6 x 36pes  
5FT x 38pes  
6FT x 38pes



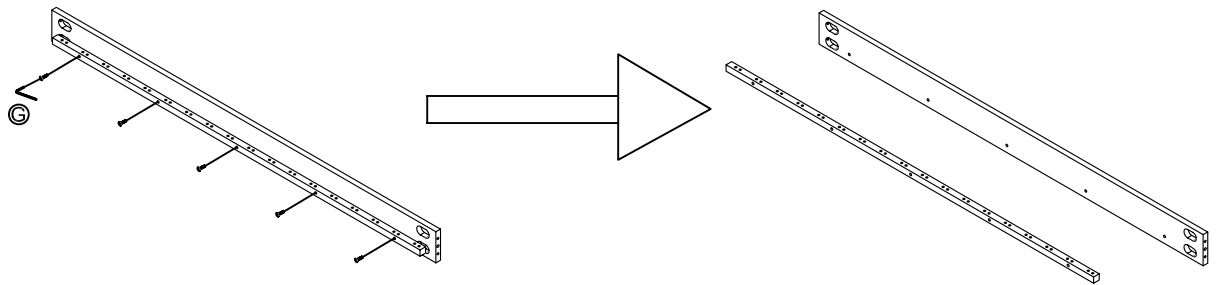
②X1



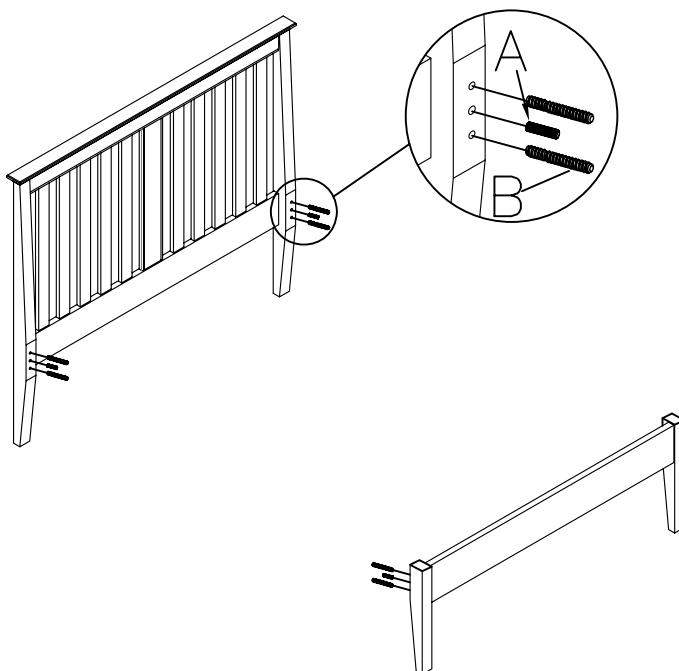
**HARDWARE LIST**

-   
 Ⓐ 10mm\*40mm=4pcs
  -   
 Ⓑ M6\*80mm=8pcs
  -   
 Ⓒ 30mm\*17mm=8pcs
  -   
 Ⓓ M10\*17mm=8pcs
  -   
 Ⓔ 1pc
  -   
 Ⓕ 4FT6 x 72pes  
5FT x 76pes  
6FT x 76pes
  -   
 Ⓖ 1pc
  -   
 Ⓗ 1pc
-   
 Ⓘ 1pc
  -   
 Ⓜ M6X40mm=1pc
  -   
 Ⓚ M6X20mm=4pcs

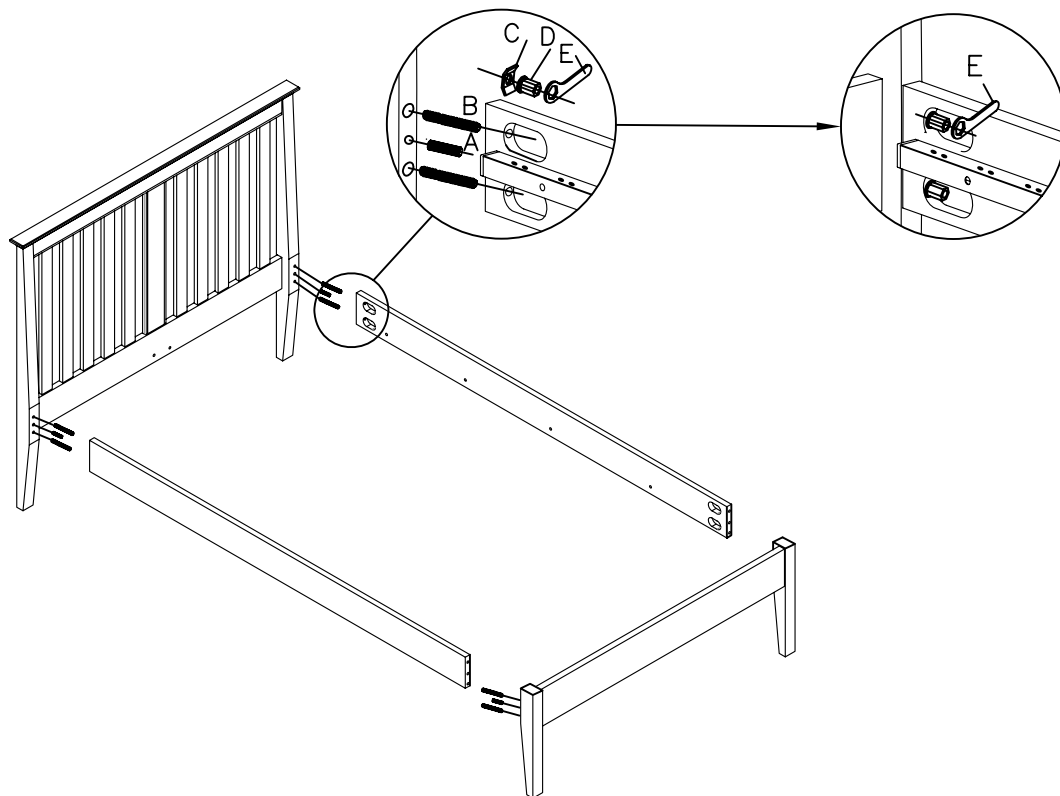
**STEP1**



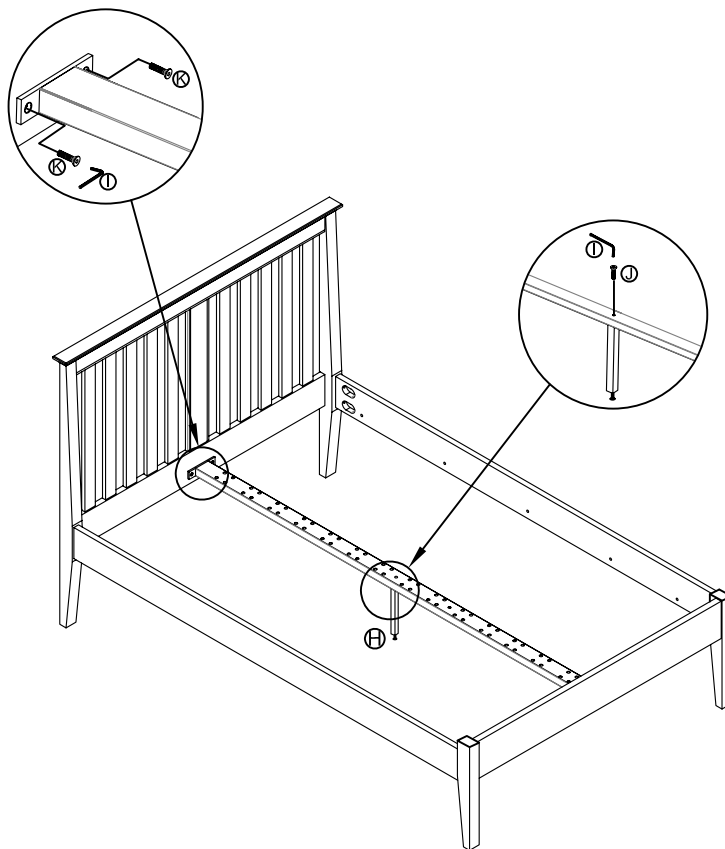
**STEP2**



**STEP3**



**STEP4**



**STEP 5**

